

Modular F.R.L. Units

RoHS

Modular Design with Uniform Body Style

Better visibility & environmental resistance



The bowl is covered with a transparent bowl guard!

* Body sizes 30 and larger

- The inside is visible from 360°.
- The bowl is completely protected from the environment, allowing for improved safety.

Inner bowl

Material: Polycarbonate

Transparent bowl guard

Material: Polycarbonate

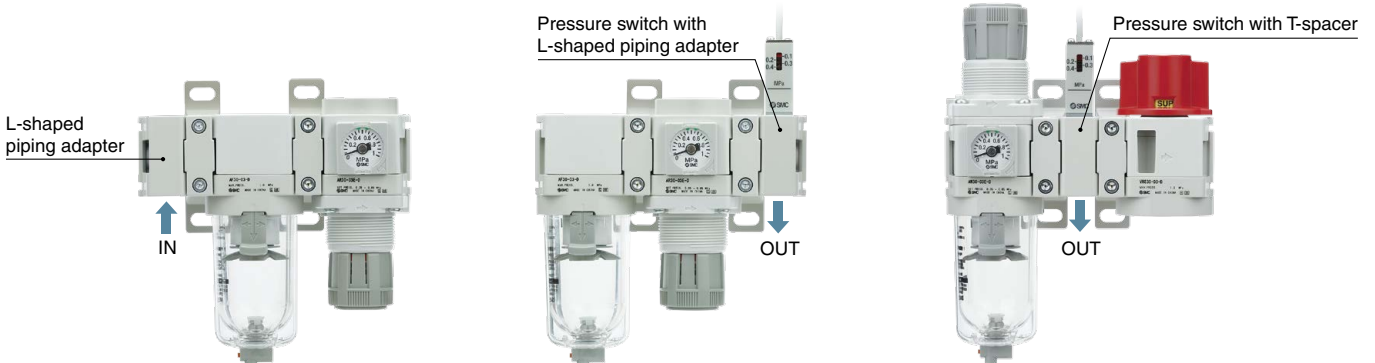


New

- Sizes 40-06, 50, and 60 have been added to the AC series.
- Sizes 40-06, 50, and 60 have been added to the AF, AR(K), and AL.
- The VHS40-06 and 50 have been added.
- Size 40-06 has been added to the AFM/AFD.
- Sizes 40-06 and 60 have been added to the AW(K).
- Made to order options have been added.



Attachment combination examples



AC Series



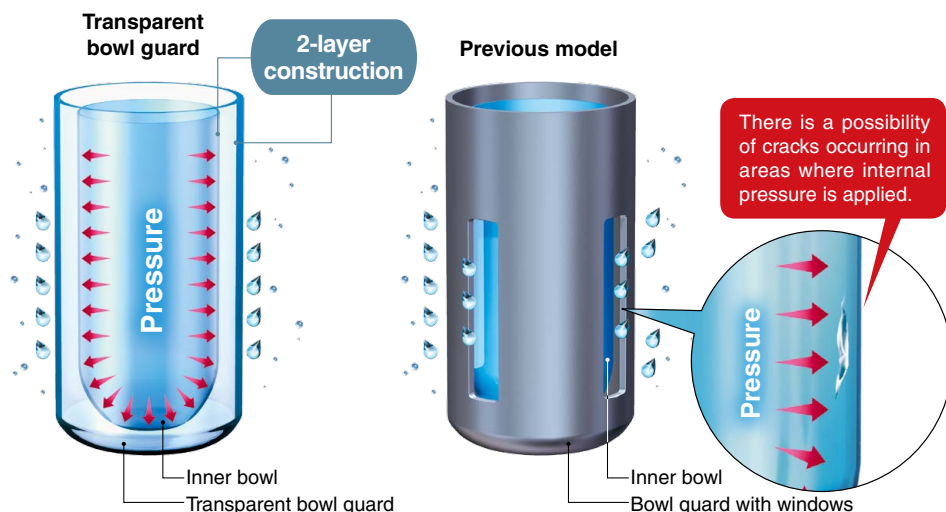
CAT.ES40-69C

Transparent bowl guard

Better environmental resistance:

The transparent bowl guard protects the inner bowl!

The bowl guard with windows has been replaced with a **polycarbonate transparent bowl guard**. Now, even if the environment changes and the bowl is exposed to corrosive chemical or oil splash, **the foreign matter will not come into direct contact with the pressurized bowl**. This can reduce the risk of bowl breakage.

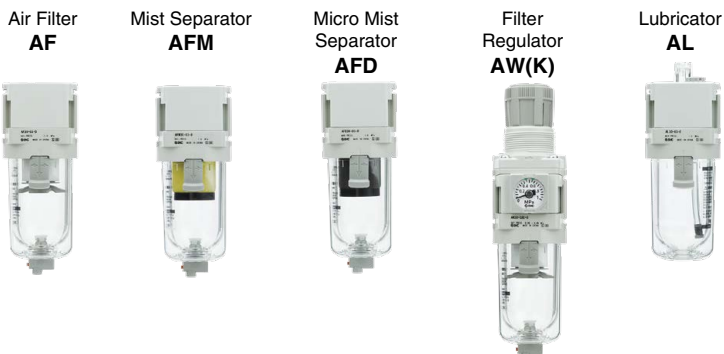


Better visibility: 360°

The transparent bowl guard allows for easy checking of the condensate level inside the filter bowl and the remaining oil amount in the lubricator from any direction.



Applicable model * Body sizes 30 and larger

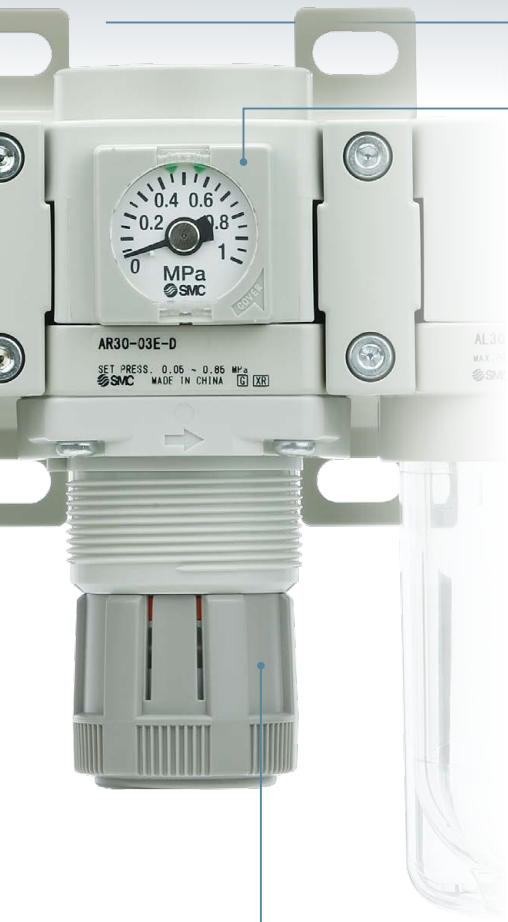


No tools are required.

Easier replacement of the element

* AF20-D to AF40-D only





Selection of pressure gauges



Square embedded type pressure gauge



Round type pressure gauge



Digital pressure switch

Open/close type gauge cover

- Open the gauge cover.
- Adjust the indicator to a specified position.
- Close the gauge cover.

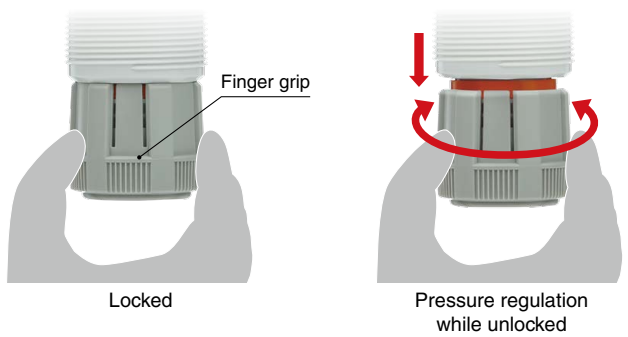
Open the gauge cover in the direction of the arrow with your fingertips.

Adjust the indicator using a flat blade screwdriver.

Close the gauge cover in the direction of the arrow and push it in until it clicks in place.

Easy to handle

Easy to hold when unlocked



Mounting (Single unit)

The mounting pitch for panel mounting is interchangeable between the AR20(K)-D to AR40(K)-06-D and the AR(K)-B series and between the AW20(K)-D to AW40(K)-06-D and the AW(K)-B series. The brackets and set nuts are the same for both existing and new products.

Series	Body size					Details
	20	30	40	50	60	
AF						p. 61
AFM AFD						p. 71
AR(K)						p. 79
AW(K)						p. 98
AL						p. 89

Series Configuration

AC20 to AC60 Series

p. 9 **Air Filter** + **Regulator** + **Lubricator**
AF **AR** **AL**



	Port size					
	1/8	1/4	3/8	1/2	3/4	1
Size 20	●	●				
Size 30		●	●			
Size 40		●	●	●		
Size 40-06					●	
Size 50					●	●
Size 60						●

AC20A to AC60A Series

p. 17 **Filter Regulator** + **Lubricator**
AW **AL**



	Port size					
	1/8	1/4	3/8	1/2	3/4	1
Size 20	●	●				
Size 30		●	●			
Size 40		●	●	●		
Size 40-06					●	
Size 50					●	●
Size 60						●

AC20B to AC60B Series

p. 23 **Air Filter** + **Regulator**
AF **AR**



	Port size					
	1/8	1/4	3/8	1/2	3/4	1
Size 20	●	●				
Size 30		●	●			
Size 40		●	●	●		
Size 40-06					●	
Size 50					●	●
Size 60						●

AC20C to AC40C Series

p. 31 **Air Filter** + **Mist Separator** + **Regulator**
AF **AFM** **AR**



	Port size				
	1/8	1/4	3/8	1/2	3/4
Size 20	●	●			
Size 30		●	●		
Size 40		●	●	●	
Size 40-06					●

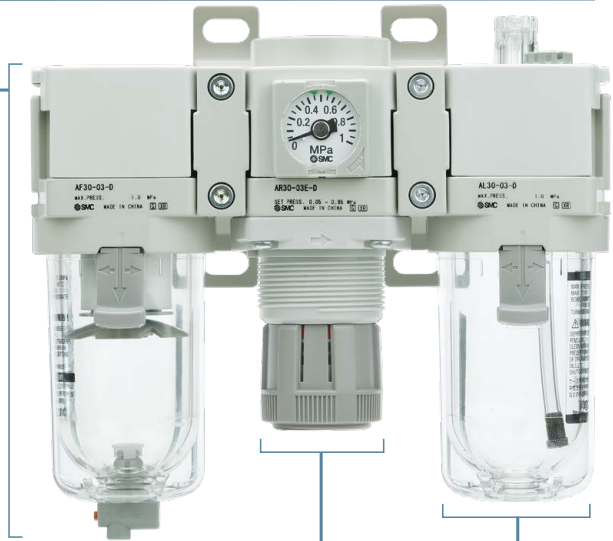
AC20D to AC40D Series

p. 39 **Filter Regulator** + **Mist Separator**
AW **AFM**




	Port size				
	1/8	1/4	3/8	1/2	3/4
Size 20	●	●			
Size 30		●	●		
Size 40		●	●	●	
Size 40-06					●

Table of Modular F.R.L. Unit Combinations for AC Assembly



Air Filter
AF Series


p. 59



	Port size					
	1/8	1/4	3/8	1/2	3/4	1
Size 20	●	●				
Size 30		●	●			
Size 40		●	●	●		
Size 40-06					●	
Size 50					●	●
Size 60						●

Mist Separator
Micro Mist Separator
AFM/AFD Series


p. 69



	Port size				
	1/8	1/4	3/8	1/2	3/4
Size 20	●	●			
Size 30		●	●		
Size 40		●	●	●	
Size 40-06					●
Size 50					
Size 60					●

Regulator
AR Series


p. 76



	Port size					
	1/8	1/4	3/8	1/2	3/4	1
Size 20	●	●				
Size 30		●	●			
Size 40		●	●	●		
Size 40-06					●	
Size 50				●	●	
Size 60						●

Regulator with Backflow Function
AR□K Series

p. 76



	Port size					
	1/8	1/4	3/8	1/2	3/4	1
Size 20	●	●				
Size 30		●	●			
Size 40		●	●	●		
Size 40-06					●	
Size 50				●	●	
Size 60						●

Filter Regulator
AW Series


p. 94



	Port size					
	1/8	1/4	3/8	1/2	3/4	1
Size 20	●	●				
Size 30		●	●			
Size 40		●	●	●		
Size 40-06					●	
Size 50						●
Size 60						●

Filter Regulator with Backflow Function
AW□K Series

p. 94



	Port size					
	1/8	1/4	3/8	1/2	3/4	1
Size 20	●	●				
Size 30		●	●			
Size 40		●	●	●		
Size 40-06					●	
Size 50						●
Size 60						●

New Spacer p. 48



Interchangeable with the existing model

- The new spacer can be connected to the existing AF-A, AR-B, AL-A, and AW-B series.

Lubricator

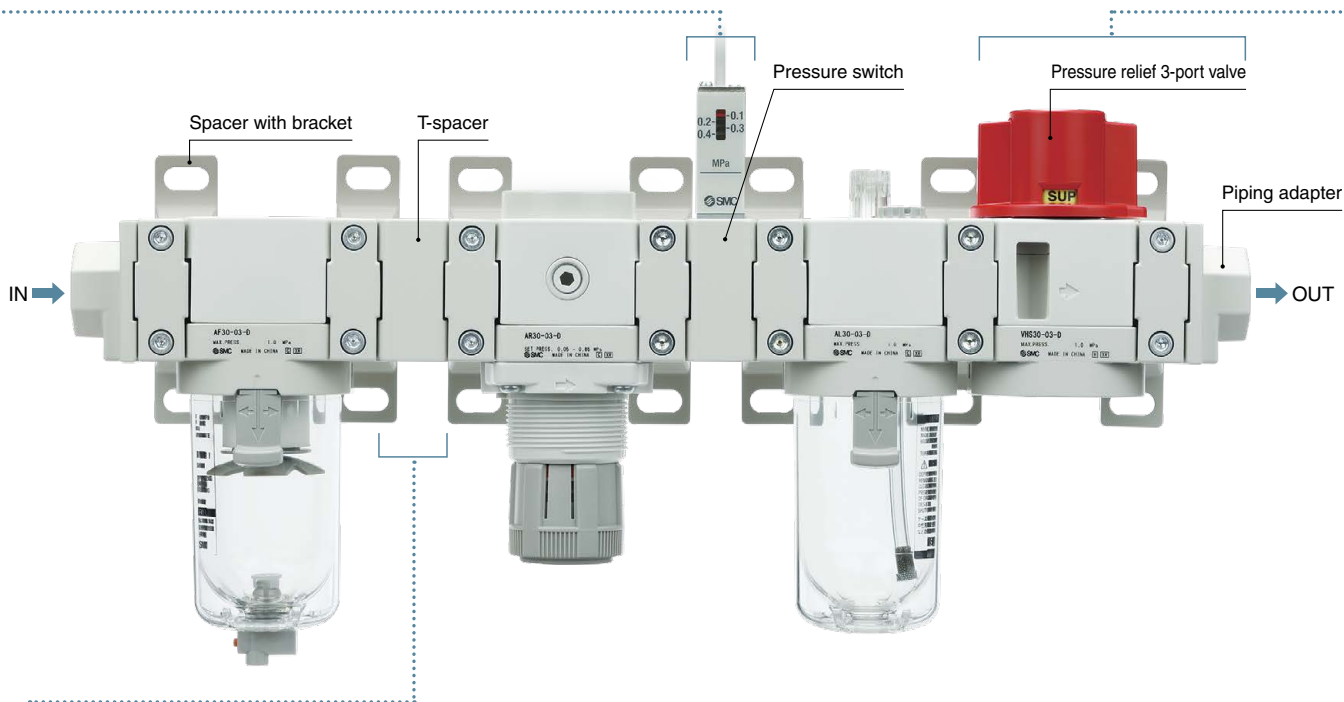
AL Series

p. 87







	Port size					
	1/8	1/4	3/8	1/2	3/4	1
Size 20	●	●				
Size 30		●	●			
Size 40		●	●	●		
Size 40-06					●	
Size 50					●	●
Size 60						●

Attachment List







Spacers

T-Spacer Y□10 Series	Cross Spacer Y□4 Series	Spacer Y□□ Series	Spacer with Bracket Y□□T Series
Piping in 2 directions is possible (upward or downward). p. 52	Piping in all 4 directions is possible. p. 53	p. 48	p. 48
 Slim type*1	 Front and back port selectable type*1		

*1 The mounting pitch is interchangeable with the existing attachment.




Pressure Switches

A compact, integrated pressure switch can be easily installed to facilitate the pressure detection of the line.

New Pressure Switch with T-Spacer IS10T Series	New Pressure Switch with L-Shaped Piping Adapter IS10L Series	Pressure Switch IS10M Series	Pressure Switch with Piping Adapter IS10E Series
The OUT side piping can be branched downward. p. 55	OUT side piping: Downward p. 56	p. 54	A piping adapter allows for the installation/removal of the component without removing the piping. p. 57
		 Slim type*1	

*1 The mounting pitch is interchangeable with the existing attachment.

Piping Adapters

Piping Adapter E□00 Series	New L-Shaped Piping Adapter E□00L Series	Pressure Relief 3-Port Valve VHS Series
<p>A piping adapter allows for the installation/removal of the component without removing the piping.</p> <p>p. 50</p>	<p>Upward or downward piping is possible on the inlet side and the outlet side of F.R.L. units.</p> <p>p. 51</p>	<p>By using a pressure relief 3-port valve, pressure left in the line can be easily exhausted.</p> <p>p. 49</p>
		

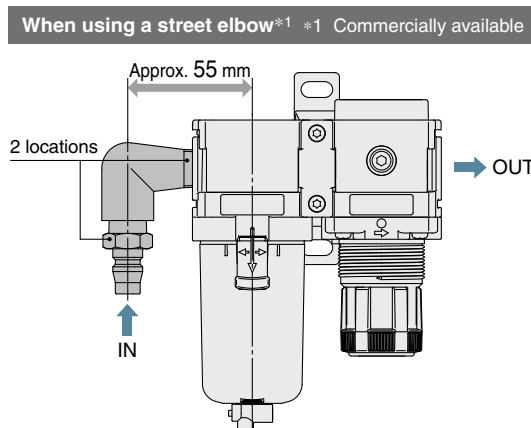
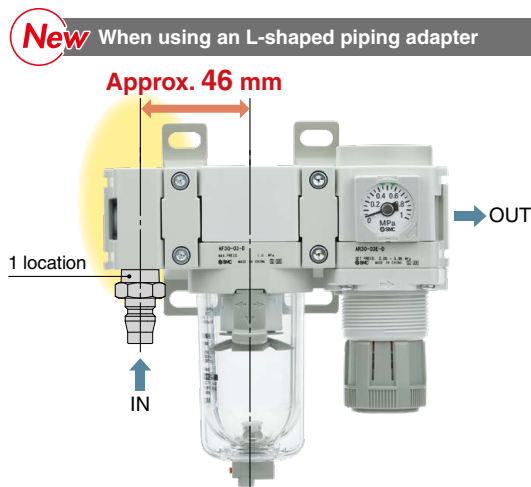
Space-saving design and reduced piping labor

Space-saving

Max. **16.4%***1 reduction
 Approx. **46 mm** ← Approx. **55 mm**
 *1 For size 30

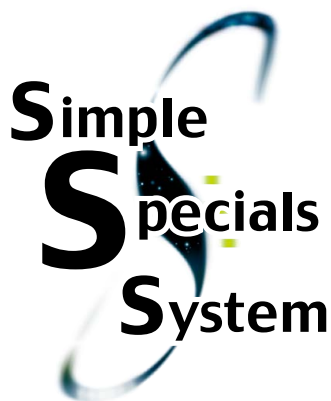
Reduced piping labor

Number of screw-in connections
1 location ← **2 locations**



Simple Specials System

A system designed to respond quickly and easily to your special ordering needs



Short lead times

This system enables us to respond to your special needs (additional machining, accessory assembly, or the designing of a modular unit) and deliver your personalized products as quickly as standard products.

Repeat orders

Once we receive a simple special part number from one of your previous orders, we will process the order, manufacture the product, and deliver it to you as quickly as possible.

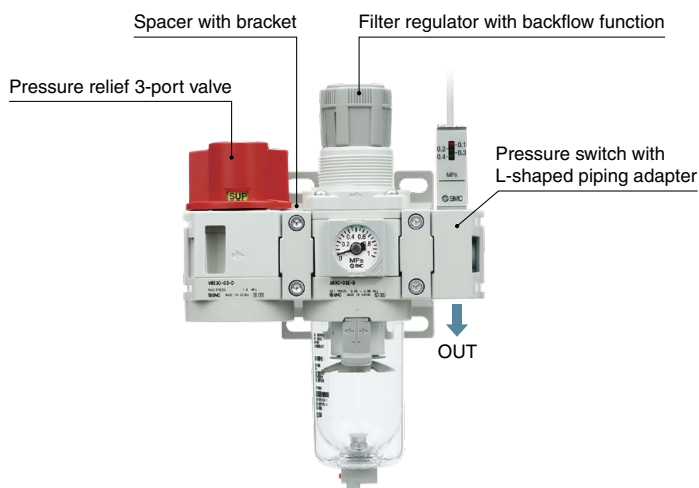
Please contact your local sales representative for more details.

Examples of Simple Specials

Combination example ①

* Please contact your local sales representative for ordering procedures.

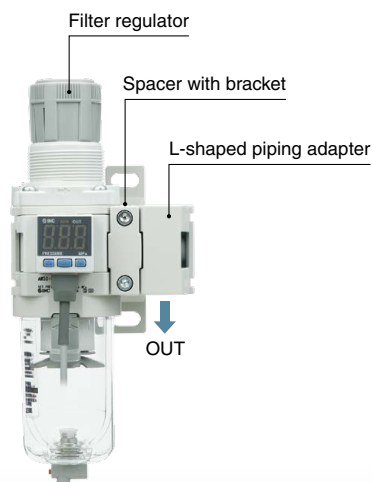
- Pressure relief 3-port valve
VHS30-03-D 1 pc.
- Spacer with bracket
Y300T-D 2 pcs.
- Filter regulator with backflow function
AW30K-03E-D 1 pc.
- Pressure switch with
L-shaped piping adapter
IS10L-30-03-D 1 pc.



Combination example ②

* Please contact your local sales representative for ordering procedures.

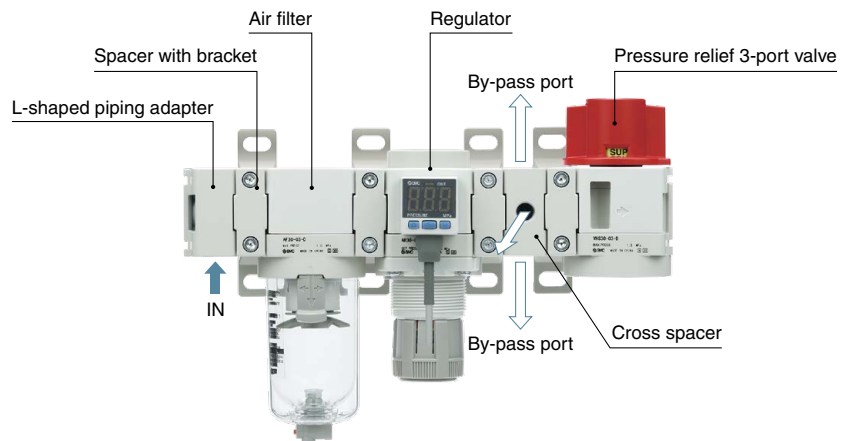
- Filter regulator
AW30-03E1-D 1 pc.
- Spacer with bracket
Y300T-D 1 pc.
- L-shaped piping adapter
E300L-03-D 1 pc.



Combination example 3

* Please contact your local sales representative for ordering procedures.

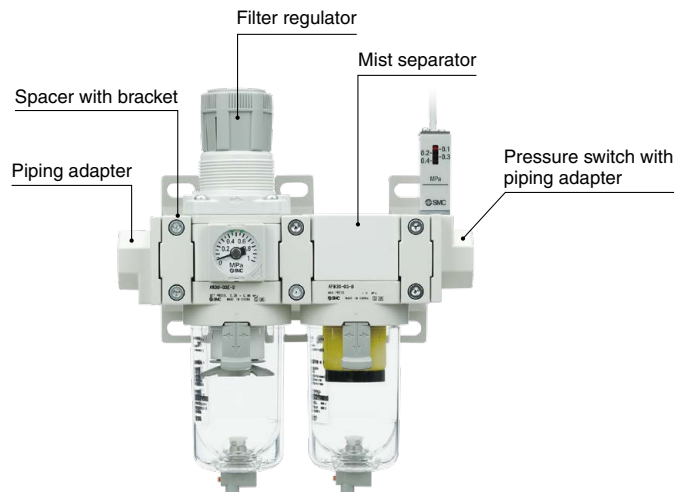
L-shaped piping adapter E300L-03-D	1 pc.
Spacer with bracket Y300T-D	4 pcs.
Air filter AF30-03-D	1 pc.
Regulator AR30-03E1-D	1 pc.
Cross spacer Y34-03-D	1 pc.
Pressure relief 3-port valve VHS30-03-D	1 pc.



Combination example 4

* Please contact your local sales representative for ordering procedures.

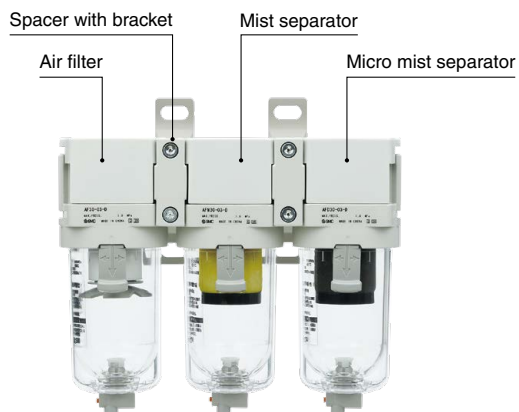
Piping adapter E300-03-D	1 pc.
Spacer with bracket Y300T-D	3 pcs.
Filter regulator AW30-03E-D	1 pc.
Mist separator AFM30-03-D	1 pc.
Pressure switch with piping adapter IS10E-30-03-D	1 pc.



Combination example 5

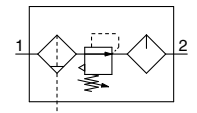
* Please contact your local sales representative for ordering procedures.

Air filter AF30-03-D	1 pc.
Spacer with bracket Y300T-D	2 pcs.
Mist separator AFM30-03-D	1 pc.
Micro mist separator AFD30-03-D	1 pc.



AC20-D to AC60-D

Symbol



How to Order

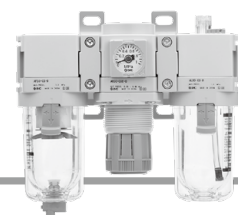
AC **30** - **03** **DE** - **16NR** - **D**

① ② ③ ④ ⑤ ⑥

· Option/Semi-standard: Select one each for a to j.
 · Option/Semi-standard symbol:
 When more than one specification is required, indicate in alphanumeric order.
 Example) AC30-F03DE1-16NR-D

		Symbol	Description	①					
				Body size					
				20	30	40	50	60	
②	Pipe thread type	Nil	Rc	●	●	●	●	●	
		N* ¹	NPT	●	●	●	●	●	
		F* ²	G	●	●	●	●	●	
+									
③	Port size	01	1/8	●	—	—	—	—	
		02	1/4	●	●	●	—	—	
		03	3/8	—	●	●	—	—	
		04	1/2	—	—	●	—	—	
		06	3/4	—	—	●	●	—	
		10	1	—	—	—	●	●	
+									
④	a	Float type auto drain	Nil	Without auto drain	●	●	●	●	●
			C* ⁴	N.C. (Normally closed) Drain port is closed when pressure is not applied.	●	●	●	●	●
			D* ⁵	N.O. (Normally open) Drain port is open when pressure is not applied.	—	●	●	●	●
	+								
	b	Pressure gauge* ⁶	Nil	Without pressure gauge	●	●	●	●	●
			E	Square embedded type pressure gauge (with limit indicator)	●	●	●	●	●
			G	Round type pressure gauge (with limit indicator)	●	●	●	●	●
			M	Round type pressure gauge (with color zone)	●	●	●	●	●
		Digital pressure switch	E1	Output: NPN output, Electrical entry: Wiring bottom entry	●	●	●	●	●
			E2	Output: NPN output, Electrical entry: Wiring top entry	●	●	●	●	●
			E3	Output: PNP output, Electrical entry: Wiring bottom entry	●	●	●	●	●
	E4	Output: PNP output, Electrical entry: Wiring top entry	●	●	●	●	●		
+									
⑤	c	Pressure relief 3-port valve	Nil	Without attachment	●	●	●	●	●
			V	Mounting position: AF + AR + AL + V	●	●	●	●	—
+									
⑥	d	Set pressure* ⁷	Nil	0.05 to 0.85 MPa setting	●	●	●	●	●
			1	0.02 to 0.2 MPa setting	●	●	●	●	●
	+								
	e	Bowl* ⁸	Nil	Polycarbonate bowl	●	●	●	●	●
			2	Metal bowl	●	●	●	●	●
			6	Nylon bowl	●	●	●	●	●
			8	Metal bowl with level gauge	—	●	●	●	●
			C	With bowl guard	●	—* ⁹	—* ⁹	—* ⁹	—* ⁹
			6C	With bowl guard (Nylon bowl)	●	—* ¹⁰	—* ¹⁰	—* ¹⁰	—* ¹⁰
	+								
	f	Air filter drain port* ¹¹	Nil	With drain cock	●	●	●	●	●
			J* ¹²	Drain guide 1/8	●	—	—	—	—
			W* ¹³	Drain guide 1/4	—	●	●	●	●
			W* ¹³	Drain cock with barb fitting (for ø6 x ø4 nylon tube)	—	●	●	●	●
	+								
	g	Lubricator lubricant exhaust port	Nil	Without drain cock	●	●	●	●	●
			3* ¹⁴	Lubricator with drain cock	●	●	●	●	●

Air Combination **AC20-D to AC60-D Series**



AC30-D

		Symbol	Description	①							
				Body size							
				20	30	40	50	60			
6	Semi-standard	h	Nil	Relieving type	●	●	●	●	●		
			N	Non-relieving type	●	●	●	●	●		
				+							
		i	Flow direction	Nil	Flow direction: Left to right	●	●	●	●	●	
				R	Flow direction: Right to left	●	●	●	●	●	
				+							
		j	Unit	Nil	Unit on product label: MPa, °C, Pressure gauge in SI units: MPa	●	●	●	●	●	
				Z*15	Unit on product label: psi, °F, Pressure gauge: MPa/psi dual scale	○*17	○*17	○*17	○*17	○*17	
				ZA*16	Digital pressure switch: With unit selection function	△*18	△*18	△*18	△*18	△*18	

- *1 Drain guide is NPT1/8 (applicable to the AC20-D) and NPT1/4 (applicable to the AC30-D to AC60-D). The auto drain port comes with a $\phi 3/8$ " One-touch fitting (applicable to the AC30-D to AC60-D).
- *2 Drain guide is G1/8 (applicable to the AC20-D) and G1/4 (applicable to the AC30-D to AC60-D).
- *3 Options G and M are not assembled and supplied loose at the time of shipment.
- *4 When pressure is not applied, condensate which does not start the auto drain mechanism will be left in the bowl. Releasing the residual condensate before ending operations for the day is recommended.
- *5 If the compressor is small (0.75 kW, discharge flow is less than 100 L/min (ANR)), air leakage from the drain cock may occur during the start of operations. N.C. type is recommended.

- *6 When the pressure gauge is attached, a 1.0 MPa pressure gauge will be fitted for standard (0.85 MPa) type. 0.4 MPa pressure gauge for 0.2 MPa type.
- *7 Pressure can be set higher than the specification pressure in some cases, but use pressure within the specification range.
- *8 Refer to chemical data on pages 68 and 93 for chemical resistance of the bowl.
- *9 A bowl guard is provided as standard equipment (polycarbonate).
- *10 A bowl guard is provided as standard equipment (nylon).
- *11 The combination of float type auto drain C and D is not available.
- *12 Without a valve function
- *13 The combination of metal bowl 2 and 8 is not available.
- *14 When choosing with W: Air filter drain port, the drain

- cock of a lubricator will be with barb fittings.
- *15 For the pipe thread type: NPT
This product is for overseas use only according to the New Measurement Act. (The SI unit type is provided for use in Japan.)
Cannot be used with M: Round type pressure gauge (with color zone). Available by request for special. The digital pressure switch will be equipped with the unit selection function, setting to psi initially.
- *16 For options: E1, E2, E3, E4
This product is for overseas use only according to the New Measurement Act. (The SI unit is provided for use in Japan.)
- *17 ○: For the pipe thread type: NPT only
- *18 △: Select with options: E1, E2, E3, E4.

Standard Specifications

Model		AC20-D	AC30-D	AC40-D	AC40-06-D	AC50-D	AC60-D	
Component	Air Filter [AF]	AF20-D	AF30-D	AF40-D	AF40-06-D	AF50-D	AF60-D	
	Regulator [AR]	AR20-D	AR30-D	AR40-D	AR40-06-D	AR50-D	AR60-D	
	Lubricator [AL]	AL20-D	AL30-D	AL40-D	AL40-06-D	AL50-D	AL60-D	
Port size		1/8, 1/4	1/4, 3/8	1/4, 3/8, 1/2	3/4	3/4, 1	1	
Pressure gauge port size*1 [AR]		1/8						
Fluid		Air						
Ambient and fluid temperatures*2		-5 to 60°C (No freezing)						
Proof pressure		1.5 MPa						
Max. operating pressure		1.0 MPa						
Auto drain minimum operating pressure		N.C. [AF]	0.1 MPa					0.15 MPa
		N.O. [AF]	—					0.1 MPa
Set pressure range [AR]		0.05 to 0.85 MPa						
Nominal filtration rating*3 [AF]		5 μ m						
Compressed air purity class*4		ISO 8573-1:2010 [6 : 4 : -]*5						
Drain capacity [AF]		8 cm ³	25 cm ³	45 cm ³				
Min. dripping flow rate*6 [AL]		15 L/min (ANR)	Port size 1/4: 30 L/min (ANR) Port size 3/8: 40 L/min (ANR)	Port size 1/4: 30 L/min (ANR) Port size 3/8: 40 L/min (ANR) Port size 1/2: 50 L/min (ANR)	50 L/min (ANR)	190 L/min (ANR)	220 L/min (ANR)	
Oil capacity [AL]		25 cm ³	55 cm ³	135 cm ³				
Recommended lubricant [AL]		Class 1 turbine oil (ISO VG32)						
Bowl material [AF/AL]		Polycarbonate						
Bowl guard [AF/AL]		Semi-standard (Steel)	Standard (Polycarbonate)					
Construction [AR]		Relieving type						
Weight		0.38 kg	0.75 kg	1.42 kg	1.55 kg	3.34 kg	3.60 kg	

- *1 Pressure gauge connection threads are not available for F.R.L. unit with a square embedded type pressure gauge or with a digital pressure switch.
- *2 -5 to 50°C for the products with the digital pressure switch
- *3 For the following conditions in accordance with [Test condition: ISO 8573-4:2001 compliant, Test method ISO 12500-3:2009 compliant]
Conditions: When a new element is used, and the flow capacity, inlet pressure, and the amount of solid bodies on the filter inlet side are stable
- *4 The compressed air purity class is indicated based on ISO 8573-1:2010 Compressed air – Part 1: Contaminants and purity classes.
For details on this standard, refer to page 110.
- *5 The compressed air quality class on the inlet side is [7 : 4 : 4].
- *6 The flow rate is 5 drops or greater/min under the following conditions: Inlet pressure of 0.5 MPa; Class 1 turbine oil (ISO VG32); Temperature at 20°C; Oil adjustment valve fully open.
For a circuit that repeatedly turns ON and OFF on the outlet side, make the adjustment so that the average air consumption per minute becomes the minimum dripping flow rate or more.

AC
 AF + AR + AL
 AF + AR
 AW + AL
 AF + AR
 AF + AFM + AR
 AW + AFM
 Attachments
 AF
 AFM / AFD
 AR
 AL
 AW

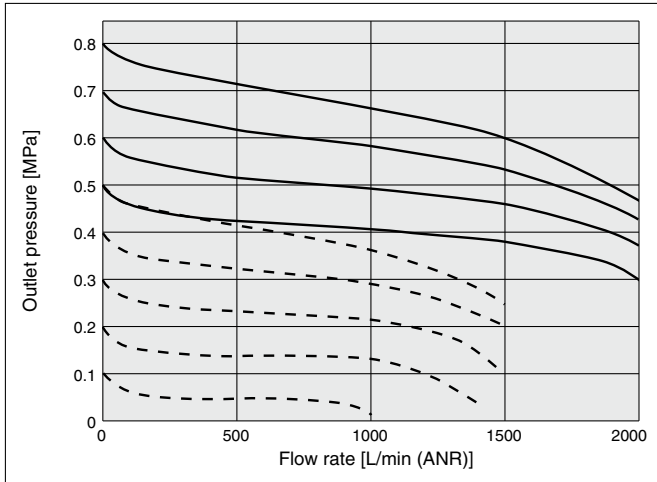
AC20-D to AC60-D Series

Flow Rate Characteristics (Representative values)

— Inlet pressure: 1.0 MPa
 - - - Inlet pressure: 0.7 MPa

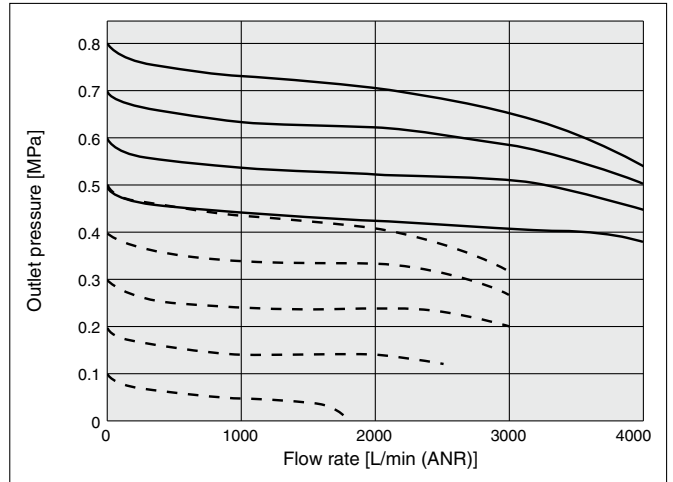
AC20-D

Rc1/4



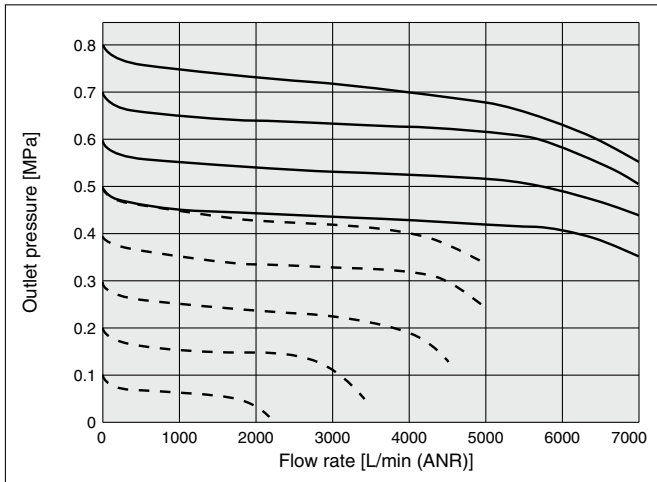
AC30-D

Rc3/8



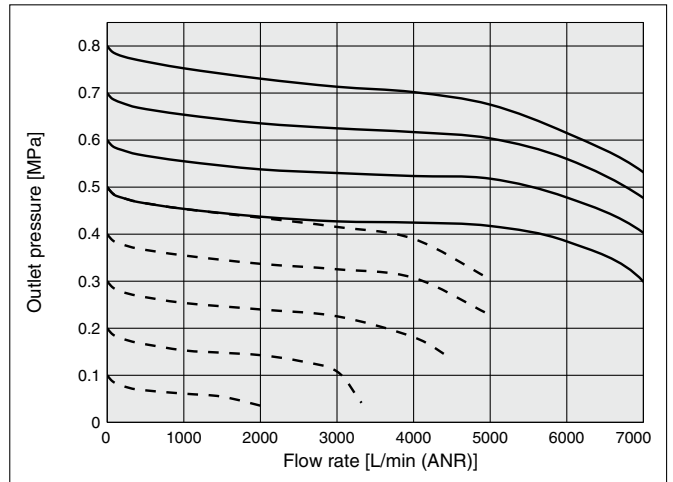
AC40-D

Rc1/2



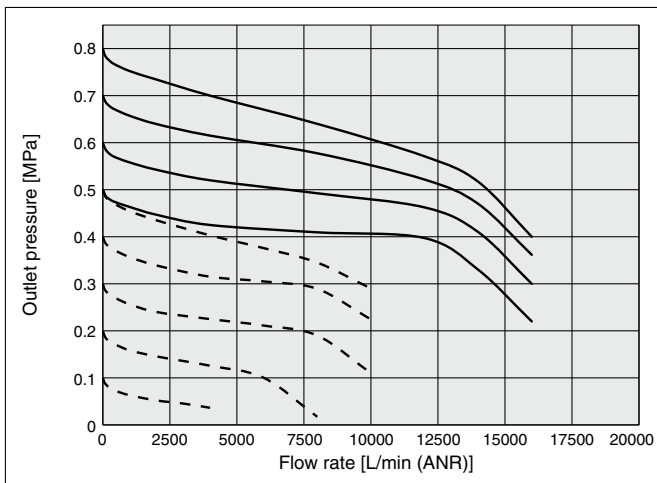
AC40-06-D

Rc3/4



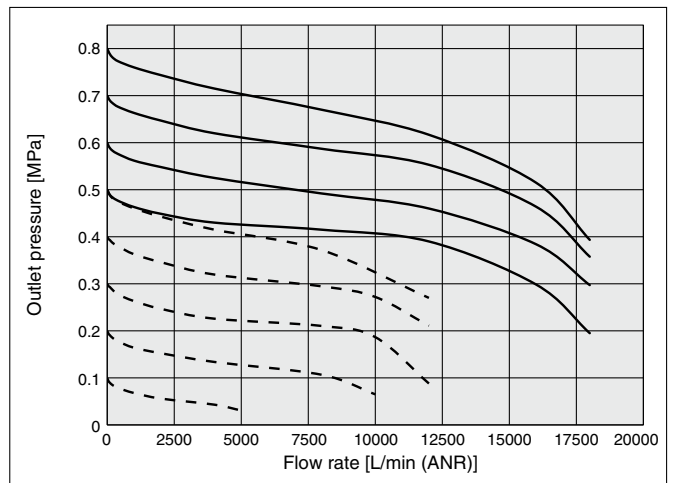
AC50-D

Rc1



AC60-D

Rc1

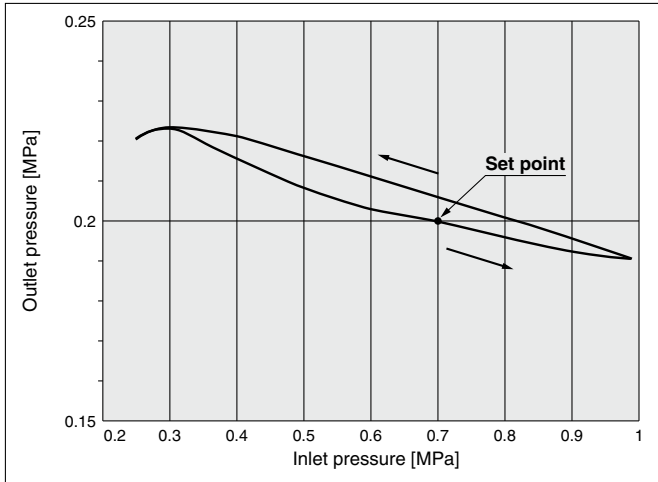


Air Combination **AC20-D to AC60-D Series**

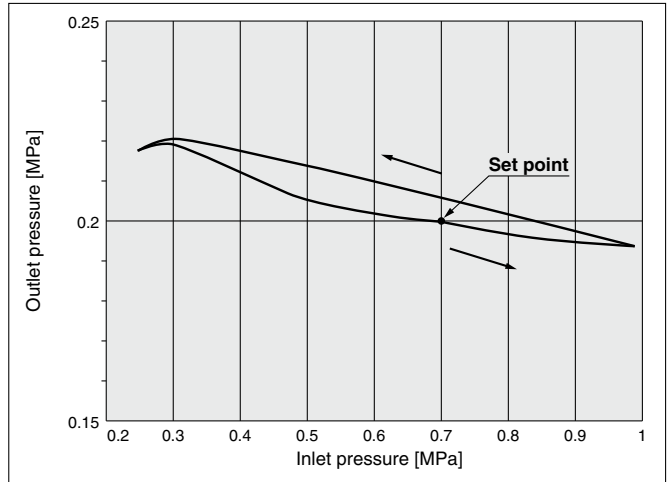
Pressure Characteristics (Representative values)

Conditions: Inlet pressure of 0.7 MPa, Outlet pressure of 0.2 MPa, Flow rate 20 L/min (ANR)

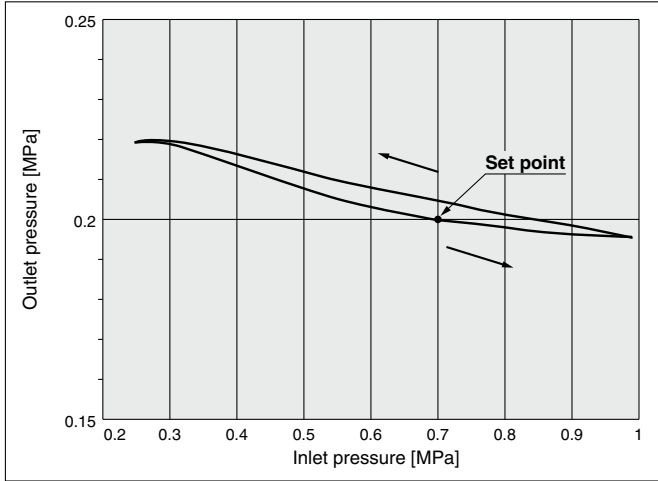
AC20-D



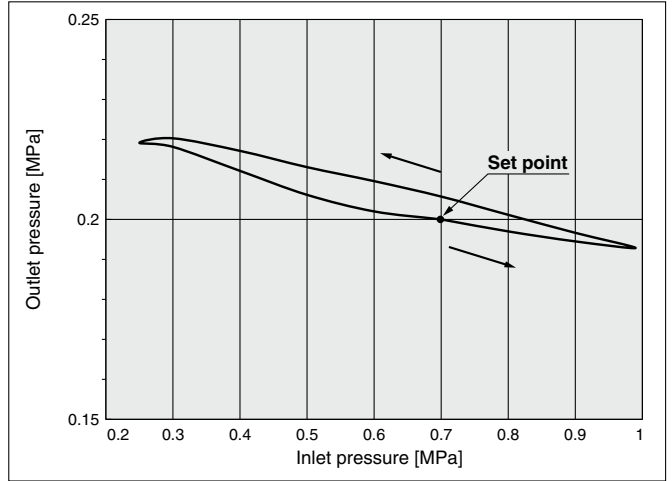
AC30-D



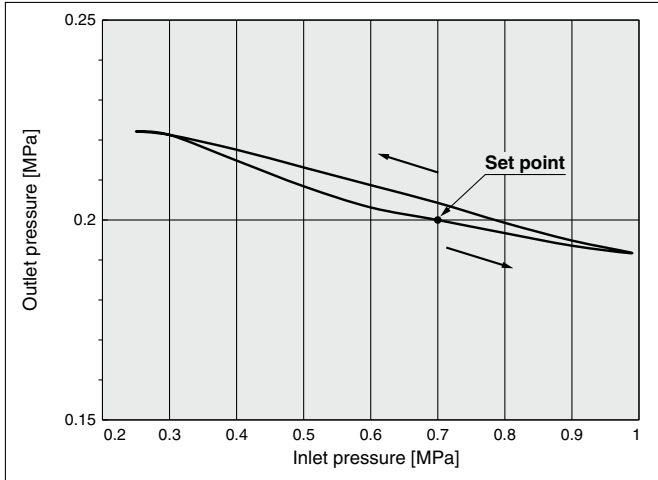
AC40-D



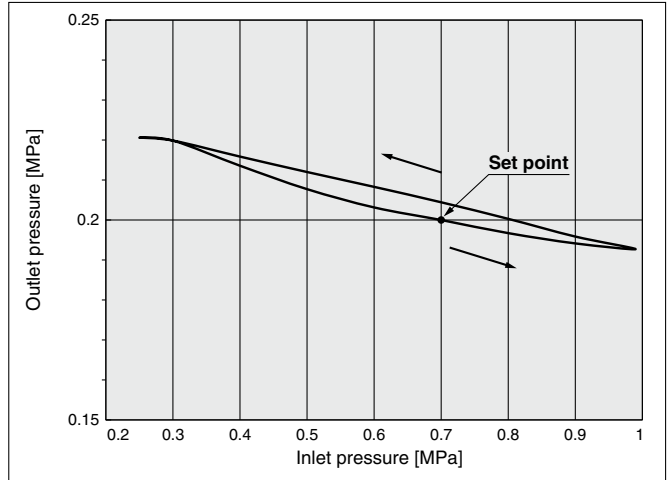
AC40-06-D



AC50-D



AC60-D



AC

AF + AR + AL

AW + AL

AF + AR

AF + AFM + AR

AW + AFM

Attachments

AF

AFM / AFD

AR

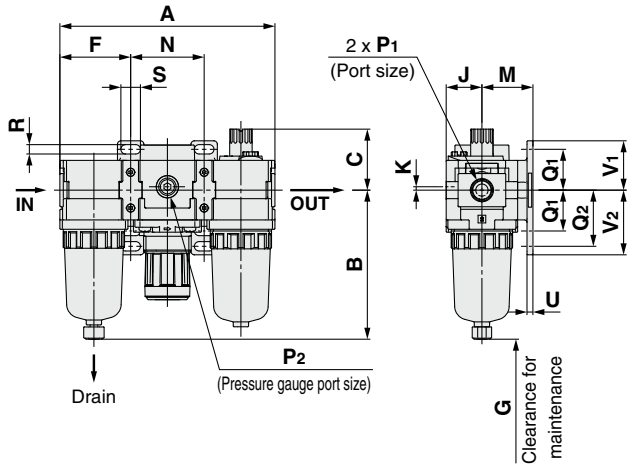
AL

AW

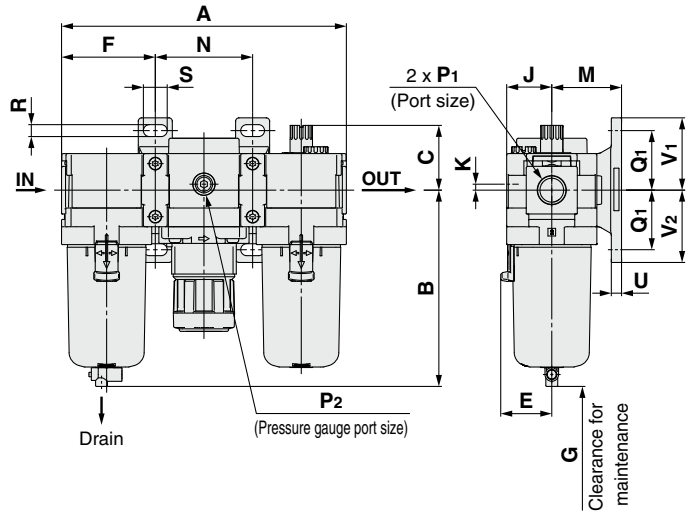
AC20-D to AC60-D Series

Dimensions

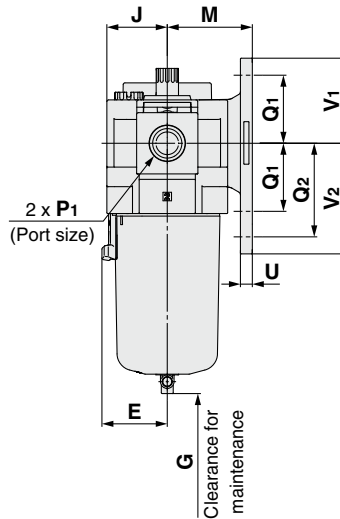
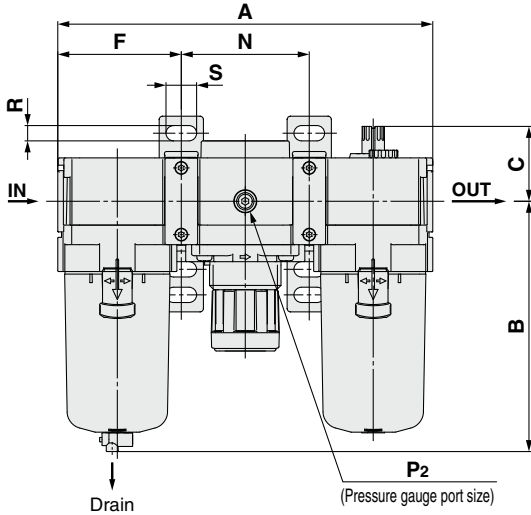
AC20-D



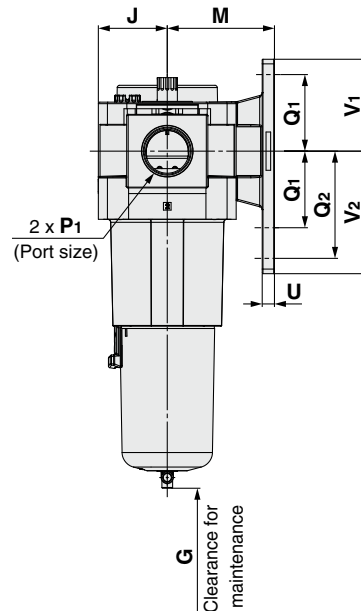
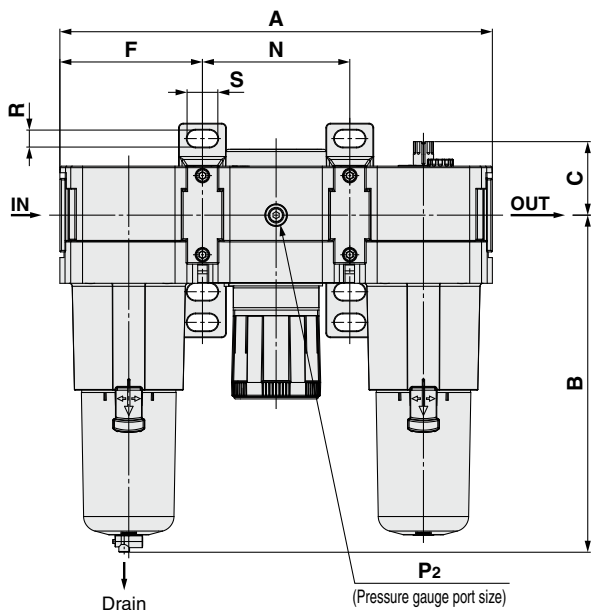
AC30-D



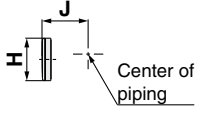
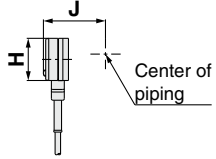
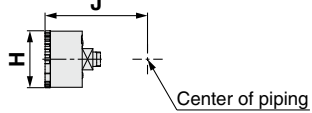
AC40-D to AC40-06-D

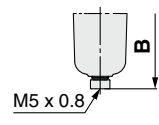
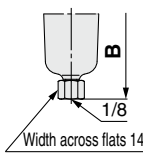
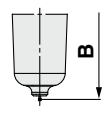
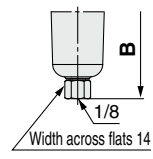
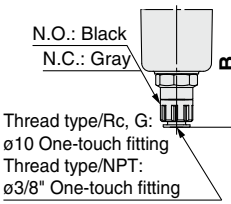
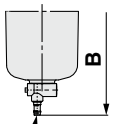
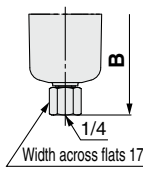
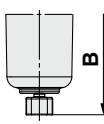
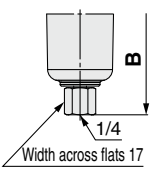
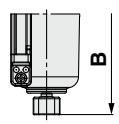
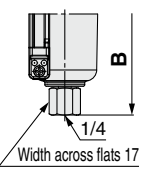


AC50-D to AC60-D



Air Combination **AC20-D to AC60-D Series**

Applicable model	Optional specifications			
	Square embedded type pressure gauge	Digital pressure switch	Round type pressure gauge	Round type pressure gauge (with color zone)
AC20-D to AC60-D				

Applicable model	Optional specifications	Semi-standard					
	With auto drain	PC/PA bowl		Metal bowl		Metal bowl with level gauge	
		Drain cock with barb fitting	With drain guide	With drain cock	With drain guide	With drain cock	With drain guide
AC20-D							
AC30-D to AC60-D	<p>N.O.: Black N.C.: Gray</p> 						

Model	Standard specifications																		
	P ₁	P ₂	A	B	C	E	F	G	J	K	Bracket mount								
											M	N	Q ₁	Q ₂	R	S	U	V ₁	V ₂
AC20-D	1/8, 1/4	1/8	126.4	87.6	35.9	—	41.6	60	21	2	30	43.2	24	33	5.5	11.5	3.5	29	38
AC30-D	1/4, 3/8	1/8	167.4	115.4	38.1	30	55.1	80	26.5	3.5	41	57.2	35	—	7	14	6	42.5	42.5
AC40-D	1/4, 3/8, 1/2	1/8	220.4	147.1	44	38.4	72.6	110	35.5	—	50	75.2	40	55	9	18	7	50	65
AC40-06-D	3/4	1/8	235.4	149.1	44	38.4	77.6	110	35.5	—	50	80.2	40	55	9	18	7	50	65
AC50-D	3/4, 1	1/8	282.4	220.1	48	—	93.1	110	45	—	70	96.2	50	70	11	20	8	60	80
AC60-D	1	1/8	297.4	234.1	48	—	98.1	110	45	—	70	101.2	50	70	11	20	8	60	80

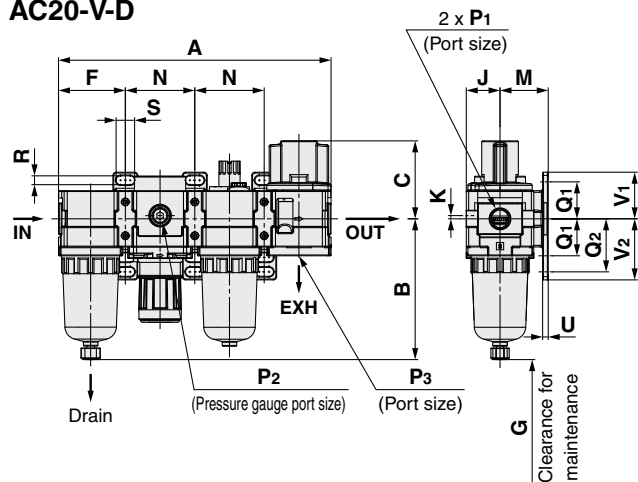
Model	Optional specifications										Semi-standard specifications							
	Square embedded type pressure gauge		Digital pressure switch		Round type pressure gauge		Round type pressure gauge (Semi-standard: Z)		Round type pressure gauge (with color zone)		With auto drain	PC/PA bowl		Metal bowl		Metal bowl with level gauge		
	H	J	H	J	H	J	H	J	H	J	B	With barb fitting	With drain guide	With drain cock	With drain guide	With drain cock	With drain guide	
AC20-D	□28	27	□27.8	37.5	ø37.5	57.5	ø37.5	58.5	ø37.5	58.5	104.9	—	91.4	87.4	93.9	—	—	
AC30-D	□28	32.5	□27.8	43	ø37.5	63	ø37.5	64	ø37.5	64	157.1	123.9	122.2	117.8	122.3	137.8	142.3	
AC40-D	□28	41.5	□27.8	52	ø42.5	73	ø42.5	73	ø42.5	73	186.9	155.6	153.9	149.5	154	169.5	174	
AC40-06-D	□28	41.5	□27.8	52	ø42.5	73	ø42.5	73	ø42.5	73	188.9	157.6	155.9	151.5	156	171.5	176	
AC50-D	□28	51	□27.8	61.5	ø42.5	82.5	ø42.5	82.5	ø42.5	82.5	259.9	228.6	226.9	222.5	227	242.5	247	
AC60-D	□28	51	□27.8	61.5	ø42.5	82.5	ø42.5	82.5	ø42.5	82.5	273.9	242.6	240.9	236.5	241	256.5	261	

AC
 AF + AR + AL
 AW + AL
 AW + AR
 AF + AR
 AF + AFM + AR
 AW + AFM
 Attachments
 AF
 AFM / AFD
 AR
 AL
 AW

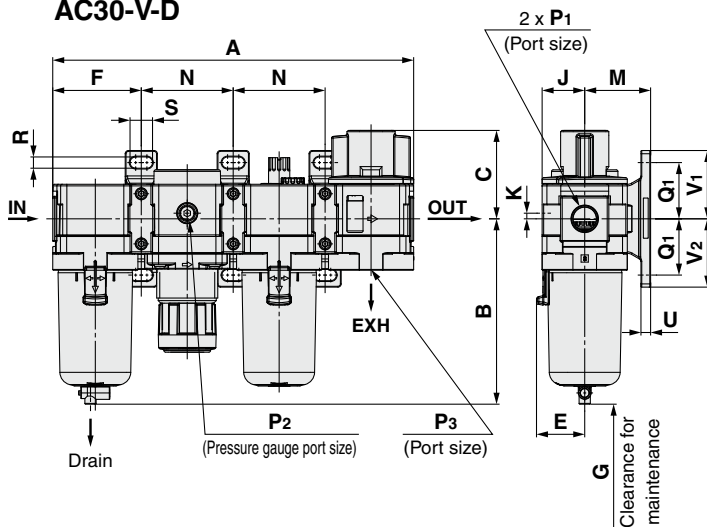
AC20-D to AC60-D Series

Dimensions: With Pressure Relief 3-Port Valve (V)

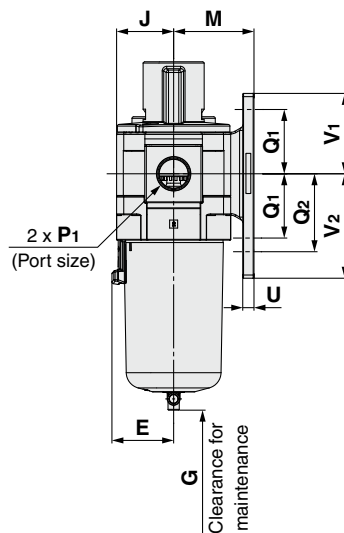
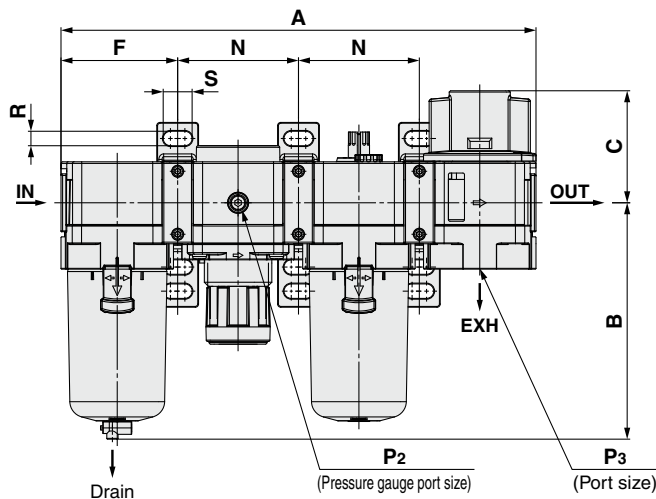
AC20-V-D



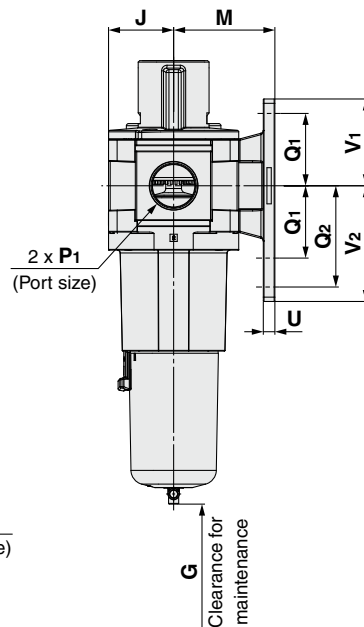
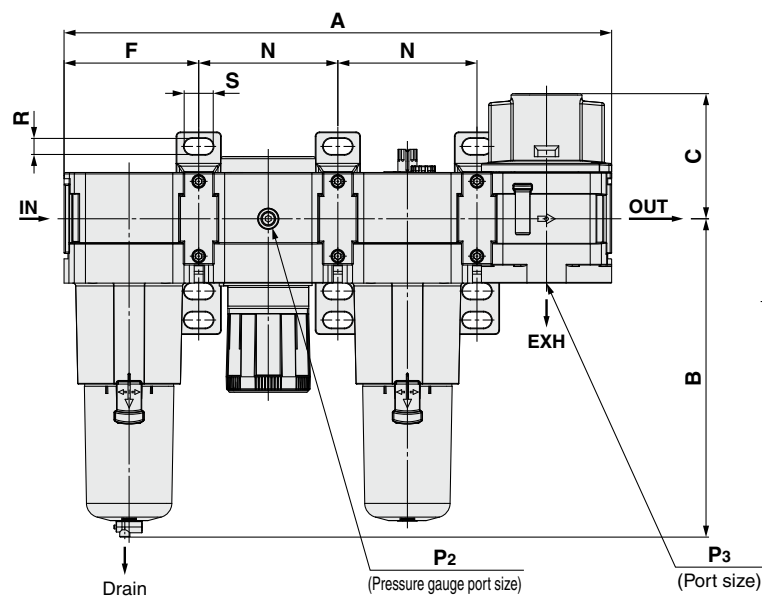
AC30-V-D



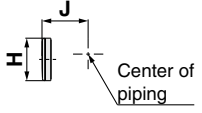
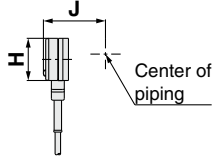
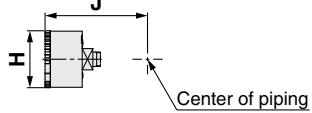
AC40-V-D to AC40-06-V-D

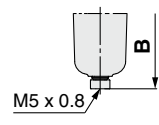
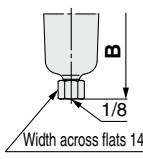
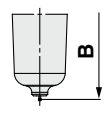
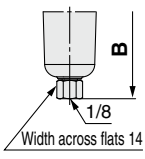
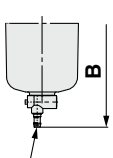
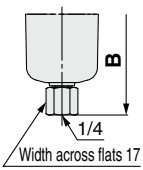
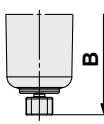
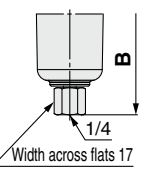
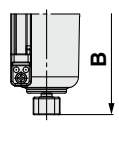
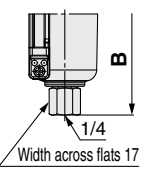


AC50-V-D



Air Combination **AC20-D to AC60-D Series**

Applicable model	Optional specifications			
	Square embedded type pressure gauge	Digital pressure switch	Round type pressure gauge	Round type pressure gauge (with color zone)
AC20-V-D to AC50-V-D				

Applicable model	Optional specifications	Semi-standard					
	With auto drain	PC/PA bowl		Metal bowl		Metal bowl with level gauge	
		Drain cock with barb fitting	With drain guide	With drain cock	With drain guide	With drain cock	With drain guide
AC20-V-D							
AC30-V-D to AC50-V-D	N.O.: Black N.C.: Gray Thread type/Rc, G: ø10 One-touch fitting Thread type/NPT: ø3/8" One-touch fitting						

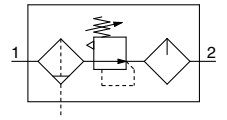
Model	Standard specifications																			
												Bracket mount								
	P ₁	P ₂	P ₃	A	B	C	E	F	G	J	K	M	N	Q ₁	Q ₂	R	S	U	V ₁	V ₂
AC20-V-D	1/8, 1/4	1/8	1/8	169.6	87.6	48.5	—	41.6	60	21	2	30	43.2	24	33	5.5	11.5	3.5	29	38
AC30-V-D	1/4, 3/8	1/8	1/4	224.6	115.4	55	30	55.1	80	26.5	3.5	41	57.2	35	—	7	14	6	42.5	42.5
AC40-V-D	1/4, 3/8, 1/2	1/8	3/8	295.6	147.1	69.7	38.4	72.6	110	35.5	—	50	75.2	40	55	9	18	7	50	65
AC40-06-V-D	3/4	1/8	1/2	315.6	149.1	71.7	38.4	77.6	110	35.5	—	50	80.2	40	55	9	18	7	50	65
AC50-V-D	3/4, 1	1/8	1/2	378.6	220.1	86.5	—	93.1	110	45	—	70	96.2	50	70	11	20	8	60	80

Model	Optional specifications										Semi-standard specifications							
	Square embedded type pressure gauge		Digital pressure switch		Round type pressure gauge		Round type pressure gauge (Semi-standard: Z)		Round type pressure gauge (with color zone)		With auto drain	PC/PA bowl		Metal bowl		Metal bowl with level gauge		
	H	J	H	J	H	J	H	J	H	J	B	With barb fitting	With drain guide	With drain cock	With drain guide	With drain cock	With drain guide	
AC20-V-D	□28	27	□27.8	37.5	ø37.5	57.5	ø37.5	58.5	ø37.5	58.5	104.9	—	91.4	87.4	93.9	—	—	
AC30-V-D	□28	32.5	□27.8	43	ø37.5	63	ø37.5	64	ø37.5	64	157.1	123.9	122.2	117.8	122.3	137.8	142.3	
AC40-V-D	□28	41.5	□27.8	52	ø42.5	73	ø42.5	73	ø42.5	73	186.9	155.6	153.9	149.5	154	169.5	174	
AC40-06-V-D	□28	41.5	□27.8	52	ø42.5	73	ø42.5	73	ø42.5	73	188.9	157.6	155.9	151.5	156	171.5	176	
AC50-V-D	□28	51	□27.8	61.5	ø42.5	82.5	ø42.5	82.5	ø42.5	82.5	259.9	228.6	226.9	222.5	227	242.5	247	

AC
 AF + AR + AL
 AW + AL
 AF + AR
 AF + AFM + AR
 AW + AFM
 Attachments
 AF
 AFM / AFD
 AR
 AL
 AW

AC20A-D to AC60A-D

Symbol



How to Order

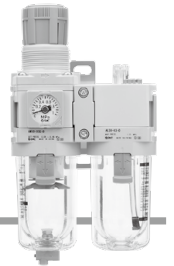
AC **30** A- **03** **DE** - - - **D**

1 2 3 4 5 6

· Option/Semi-standard: Select one each for a to j.
 · Option/Semi-standard symbol:
 When more than one specification is required, indicate in alphanumeric order.
 Example) AC30A-F03DE1-16NR-D

	Symbol	Description	①						
			Body size						
			20	30	40	50	60		
②	Pipe thread type	Nil	Rc	●	●	●	●	●	
		N* ¹	NPT	●	●	●	●	●	
		F* ²	G	●	●	●	●	●	
+									
③	Port size	01	1/8	●	—	—	—	—	
		02	1/4	●	●	●	—	—	
		03	3/8	—	●	●	—	—	
		04	1/2	—	—	●	—	—	
		06	3/4	—	—	●	●	—	
		10	1	—	—	—	●	●	
+									
④	a	Float type auto drain	Nil	Without auto drain	●	●	●	●	●
			C* ⁴	N.C. (Normally closed) Drain port is closed when pressure is not applied.	●	●	●	●	●
			D* ⁵	N.O. (Normally open) Drain port is open when pressure is not applied.	—	●	●	●	●
	+								
	b	Pressure gauge* ⁶	Nil	Without pressure gauge	●	●	●	●	●
			E	Square embedded type pressure gauge (with limit indicator)	●	●	●	●	●
			G	Round type pressure gauge (with limit indicator)	●	●	●	●	●
			M	Round type pressure gauge (with color zone)	●	●	●	●	●
		Digital pressure switch	E1	Output: NPN output, Electrical entry: Wiring bottom entry	●	●	●	●	●
			E2	Output: NPN output, Electrical entry: Wiring top entry	●	●	●	●	●
E3			Output: PNP output, Electrical entry: Wiring bottom entry	●	●	●	●	●	
		E4	Output: PNP output, Electrical entry: Wiring top entry	●	●	●	●	●	
+									
⑤	c	Pressure relief 3-port valve	Nil	Without attachment	●	●	●	●	●
			V	Mounting position: AW + AL + V	●	●	●	●	—
+									
⑥	d	Set pressure* ⁷	Nil	0.05 to 0.85 MPa setting	●	●	●	●	●
			1	0.02 to 0.2 MPa setting	●	●	●	●	●
	+								
	e	Bowl* ⁸	Nil	Polycarbonate bowl	●	●	●	●	●
			2	Metal bowl	●	●	●	●	●
			6	Nylon bowl	●	●	●	●	●
			8	Metal bowl with level gauge	—	●	●	●	●
			C	With bowl guard	●	—* ⁹	—* ⁹	—* ⁹	—* ⁹
			6C	With bowl guard (Nylon bowl)	●	—* ¹⁰	—* ¹⁰	—* ¹⁰	—* ¹⁰
	+								
	f	Filter regulator drain port* ¹¹	Nil	With drain cock	●	●	●	●	●
			J* ¹²	Drain guide 1/8	●	—	—	—	—
			W* ¹³	Drain cock with barb fitting (for ø6 x ø4 nylon tube)	—	●	●	●	●
	+								
	g	Lubricator lubricant exhaust port	Nil	Without drain cock	●	●	●	●	●
3* ¹⁴			Lubricator with drain cock	●	●	●	●	●	
+									
h	Exhaust mechanism	Nil	Relieving type	●	●	●	●	●	
		N	Non-relieving type	●	●	●	●	●	

Air Combination **AC20A-D to AC60A-D Series**



AC30A-D

	Symbol	Description	① Body size					
			20	30	40	50	60	
⑥ Semi-standard	i	Flow direction	Nil	Flow direction: Left to right				
			R	Flow direction: Right to left				
			+					
j	Unit		Nil	Unit on product label: MPa, °C, Pressure gauge in SI units: MPa				
			Z*15	Unit on product label: psi, °F, Pressure gauge: MPa/psi dual scale				
			ZA*16	Digital pressure switch: With unit selection function				

- *1 Drain guide is NPT1/8 (applicable to the AC20A-D) and NPT1/4 (applicable to the AC30A-D to AC60A-D). The auto drain port comes with a ø3/8" One-touch fitting (applicable to the AC30A-D to AC60A-D).
- *2 Drain guide is G1/8 (applicable to the AC20A-D) and G1/4 (applicable to the AC30A-D to AC60A-D).
- *3 Options G and M are not assembled and supplied loose at the time of shipment.
- *4 When pressure is not applied, condensate which does not start the auto drain mechanism will be left in the bowl. Releasing the residual condensate before ending operations for the day is recommended.
- *5 If the compressor is small (0.75 kW, discharge flow is less than 100 L/min (ANR)), air leakage from the drain cock may occur during the start of operations. N.C. type is recommended.
- *6 When the pressure gauge is attached, a 1.0 MPa pressure gauge will be fitted for standard (0.85 MPa) type. 0.4 MPa pressure gauge for 0.2 MPa type.
- *7 Pressure can be set higher than the specification pressure in some cases, but use pressure within the specification range.
- *8 Refer to chemical data on pages 93 and 109 for chemical resistance of the bowl.
- *9 A bowl guard is provided as standard equipment (polycarbonate).
- *10 A bowl guard is provided as standard equipment (nylon).
- *11 The combination of float type auto drain C and D is not available.
- *12 Without a valve function
- *13 The combination of metal bowl 2 and 8 is not available.
- *14 When choosing with W: Filter regulator drain port, the drain cock of a lubricator will be with barb fittings.
- *15 For the pipe thread type: NPT
This product is for overseas use only according to the New Measurement Act. (The SI unit type is provided for use in Japan.)
Cannot be used with M: Round type pressure gauge (with color zone). Available by request for special.
The digital pressure switch will be equipped with the unit selection function, setting to psi initially.
- *16 For options: E1, E2, E3, E4
This product is for overseas use only according to the New Measurement Act. (The SI unit is provided for use in Japan.)
- *17 ○: For the pipe thread type: NPT only
- *18 △: Select with options: E1, E2, E3, E4.

Standard Specifications

Component	Model		AC20A-D	AC30A-D	AC40A-D	AC40A-06-D	AC50A-D	AC60A-D
	Filter Regulator [AW]	Lubricator [AL]	AW20-D	AW30-D	AW40-D	AW40-06-D	AW60-D	AW60-D
Port size			1/8, 1/4	1/4, 3/8	1/4, 3/8, 1/2	3/4	3/4, 1	1
Pressure gauge port size*1 [AW]						1/8		
Fluid						Air		
Ambient and fluid temperatures*2						-5 to 60°C (No freezing)		
Proof pressure						1.5 MPa		
Max. operating pressure						1.0 MPa		
Auto drain minimum operating pressure	N.C. [AW]		0.1 MPa			0.15 MPa		
	N.O. [AW]		—			0.1 MPa		
Set pressure range [AW]						0.05 to 0.85 MPa		
Nominal filtration rating*3 [AW]						5 µm		
Compressed air purity class*4						ISO 8573-1:2010 [6 : 4 : -]*5		
Drain capacity [AW]			8 cm ³	25 cm ³		45 cm ³		
Min. dripping flow rate*6 [AL]			15 L/min (ANR)	Port size 1/4: 30 L/min (ANR) Port size 3/8: 40 L/min (ANR)	Port size 1/4: 30 L/min (ANR) Port size 3/8: 40 L/min (ANR) Port size 1/2: 50 L/min (ANR)	50 L/min (ANR)	190 L/min (ANR)	220 L/min (ANR)
Oil capacity [AL]			25 cm ³	55 cm ³		135 cm ³		
Recommended lubricant [AL]						Class 1 turbine oil (ISO VG32)		
Bowl material [AW/AL]						Polycarbonate		
Bowl guard [AW/AL]			Semi-standard (Steel)			Standard (Polycarbonate)		
Construction [AW]						Relieving type		
Weight			0.31 kg	0.58 kg	1.12 kg	1.22 kg	2.90 kg	2.97 kg

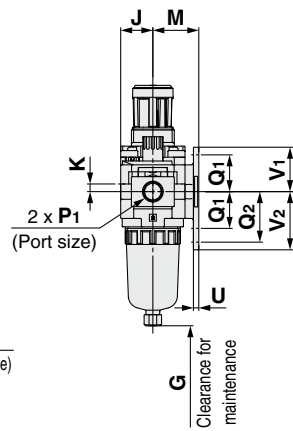
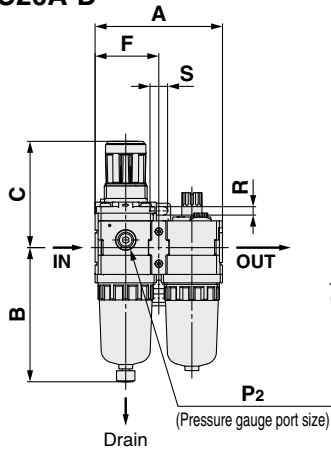
- *1 Pressure gauge connection threads are not available for F.R.L. unit with a square embedded type pressure gauge or with a digital pressure switch.
- *2 -5 to 50°C for the products with the digital pressure switch
- *3 For the following conditions in accordance with [Test condition: ISO 8573-4:2001 compliant, Test method ISO 12500-3:2009 compliant]
Conditions: When a new element is used, and the flow capacity, inlet pressure, and the amount of solid bodies on the filter inlet side are stable
- *4 The compressed air purity class is indicated based on ISO 8573-1:2010 Compressed air – Part 1: Contaminants and purity classes.
For details on this standard, refer to page 110.
- *5 The compressed air quality class on the inlet side is [7 : 4 : 4].
- *6 The flow rate is 5 drops or greater/min under the following conditions: Inlet pressure of 0.5 MPa; Class 1 turbine oil (ISO VG32); Temperature at 20°C; Oil adjustment valve fully open.
For a circuit that repeatedly turns ON and OFF on the outlet side, make the adjustment so that the average air consumption per minute becomes the minimum dripping flow rate or more.

AC
AF + AR + AL
AF + AR + AL
AW + AL
AF + AR
AF + AR
AF + AFM + AR
AW + AFM
Attachments
AF
AFM / AFD
AR
AL
AW

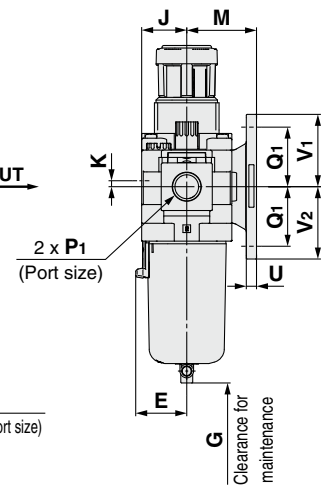
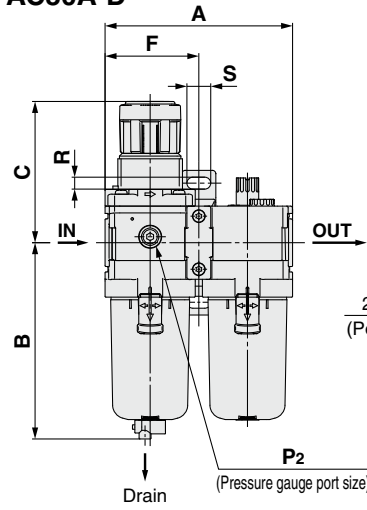
AC20A-D to AC60A-D Series

Dimensions

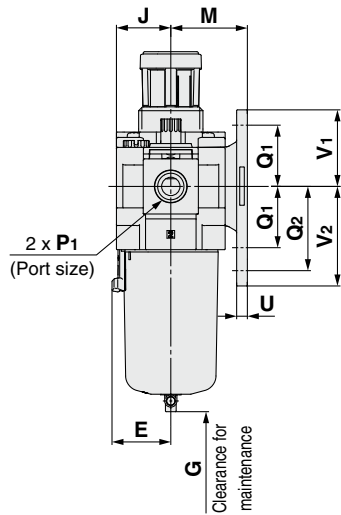
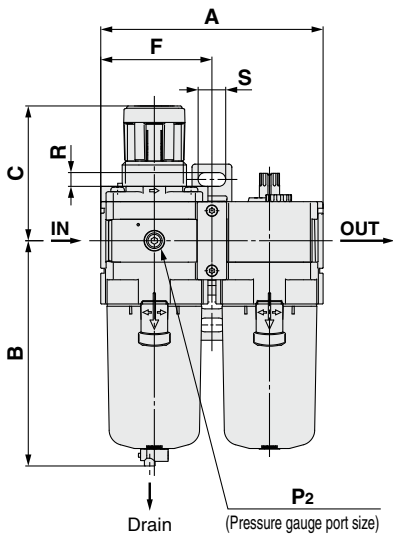
AC20A-D



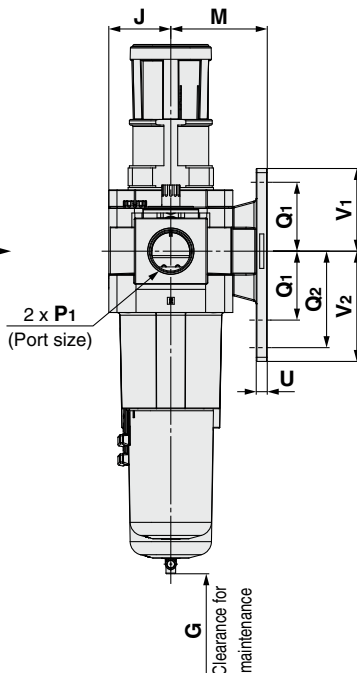
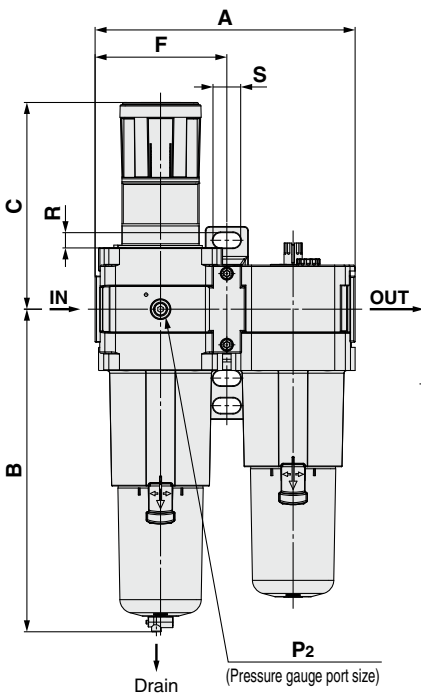
AC30A-D



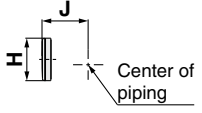
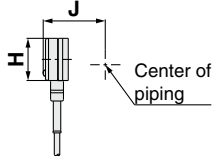
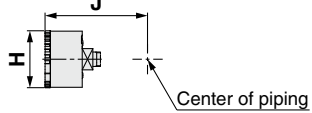
AC40A-D to AC40-06-D

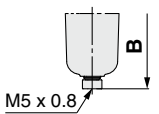
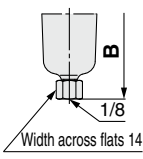
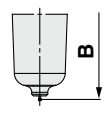
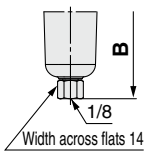
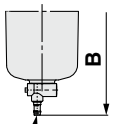
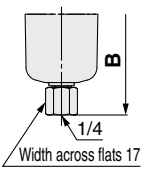
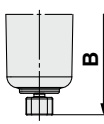
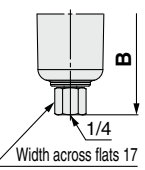
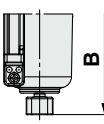
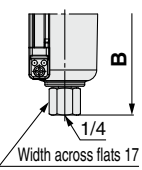


AC50A-D to AC60A-D



Air Combination **AC20A-D to AC60A-D Series**

Applicable model	Optional specifications			
	Square embedded type pressure gauge	Digital pressure switch	Round type pressure gauge	Round type pressure gauge (with color zone)
AC20A-D to AC60A-D				

Applicable model	Optional specifications	Semi-standard					
	With auto drain	PC/PA bowl		Metal bowl		Metal bowl with level gauge	
		Drain cock with barb fitting	With drain guide	With drain cock	With drain guide	With drain cock	With drain guide
AC20A-D							
AC30A-D to AC60A-D	N.O.: Black N.C.: Gray Thread type/Rc, G: ø10 One-touch fitting Thread type/NPT: ø3/8" One-touch fitting						

Model	Standard specifications																							
	P ₁	P ₂	A	B	C	E	F	G	J	K	Bracket mount						M	Q ₁	Q ₂	R	S	U	V ₁	V ₂
AC20A-D	1/8, 1/4	1/8	83.2	87.6	71.8	—	41.6	60	21	5	30	24	33	5.5	11.5	3.5	29	38						
AC30A-D	1/4, 3/8	1/8	110.2	115.3	86.5	30	55.1	80	26.5	3.5	41	35	—	7	14	6	42.5	42.5						
AC40A-D	1/4, 3/8, 1/2	1/8	145.2	147.1	91.5	38.4	72.6	110	35.5	—	50	40	55	9	18	7	50	65						
AC40A-06-D	3/4	1/8	155.2	149.1	93	38.4	77.6	110	35.5	—	50	40	55	9	18	7	50	65						
AC50A-D	3/4, 1	1/8	191.2	234.1	155	—	98.1	110	45	—	70	50	70	11	20	8	60	80						
AC60A-D	1	1/8	196.2	234.1	155	—	98.1	110	45	—	70	50	70	11	20	8	60	80						

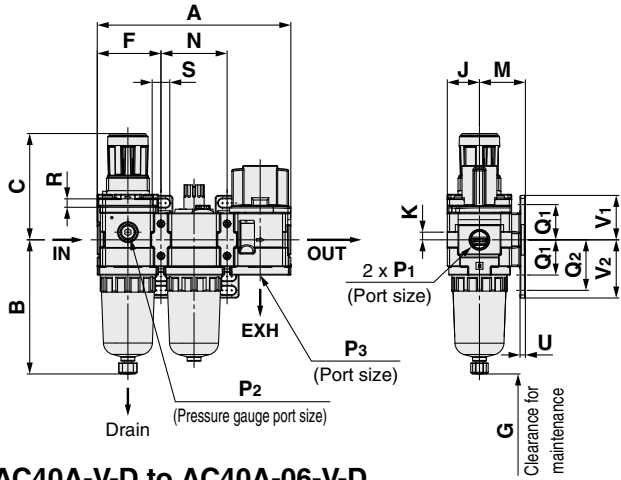
Model	Optional specifications										Semi-standard specifications							
	Square embedded type pressure gauge		Digital pressure switch		Round type pressure gauge		Round type pressure gauge (Semi-standard: Z)		Round type pressure gauge (with color zone)		With auto drain	PC/PA bowl		Metal bowl		Metal bowl with level gauge		
	H	J	H	J	H	J	H	J	H	J		B	With barb fitting	With drain guide	With drain cock	With drain guide	With drain cock	With drain guide
AC20A-D	□28	27	□27.8	37.5	ø37.5	57.5	ø37.5	58.5	ø37.5	58.5	104.9	—	91.4	87.4	93.9	—	—	
AC30A-D	□28	32.5	□27.8	43	ø37.5	63	ø37.5	64	ø37.5	64	157.1	123.9	122.2	117.8	122.3	137.8	142.3	
AC40A-D	□28	41.5	□27.8	52	ø42.5	73	ø42.5	73	ø42.5	73	186.9	155.6	153.9	149.5	154	169.5	174	
AC40A-06-D	□28	41.5	□27.8	52	ø42.5	73	ø42.5	73	ø42.5	73	188.9	157.6	155.9	151.5	156	171.5	176	
AC50A-D	□28	51	□27.8	61.5	ø42.5	82.5	ø42.5	82.5	ø42.5	82.5	273.9	242.6	240.9	236.5	241	256.5	261	
AC60A-D	□28	51	□27.8	61.5	ø42.5	82.5	ø42.5	82.5	ø42.5	82.5	273.9	242.6	240.9	236.5	241	256.5	261	

AC
AF + AR + AL
AW + AL
AF + AR
AF + AFM + AR
AW + AFM
Attachments
AF
AFM / AFD
AR
AL
AW

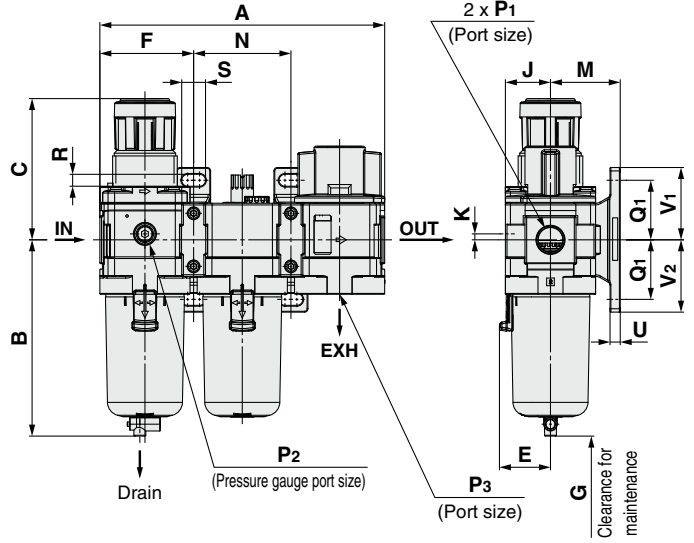
AC20A-D to AC60A-D Series

Dimensions: With Pressure Relief 3-Port Valve (V)

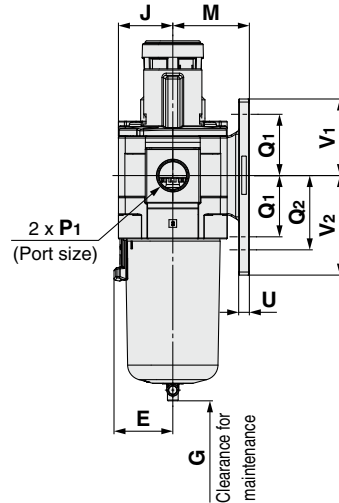
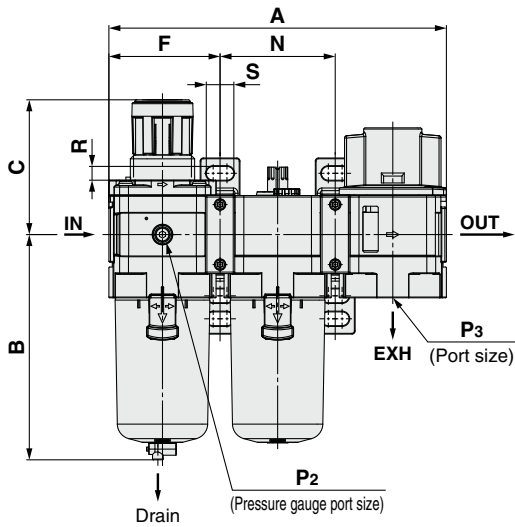
AC20A-V-D



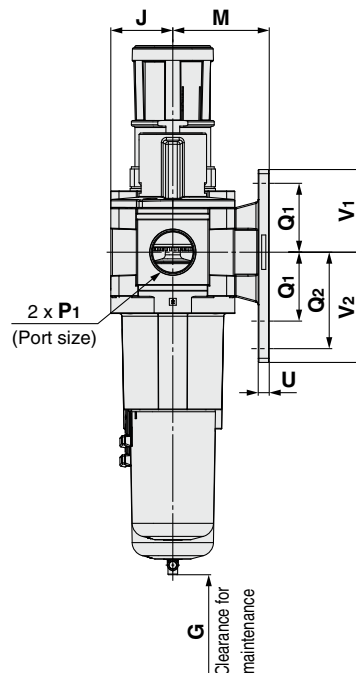
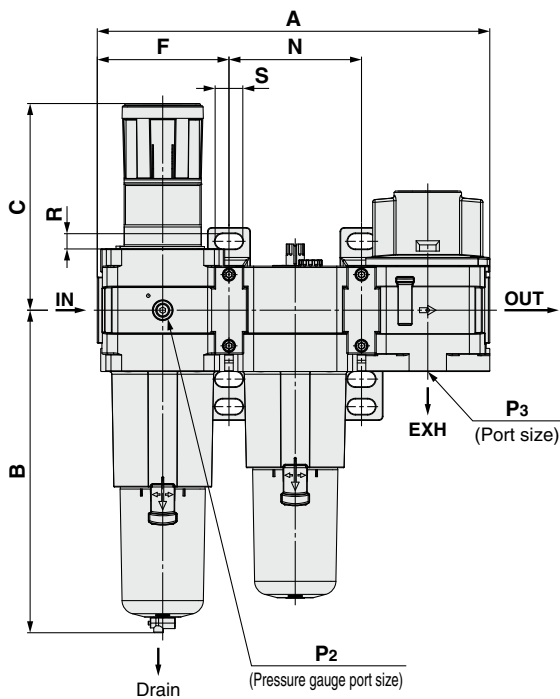
AC30A-V-D



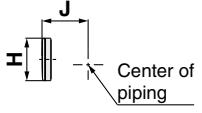
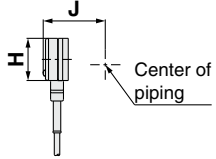
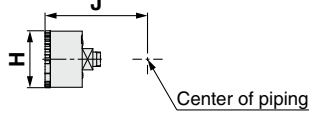
AC40A-V-D to AC40A-06-V-D

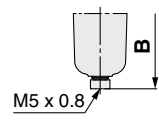
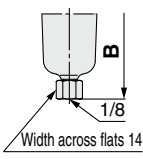
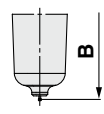
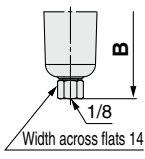
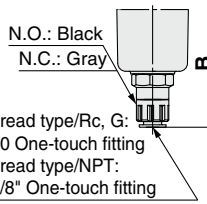
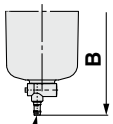
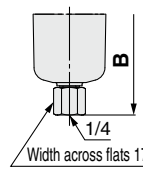
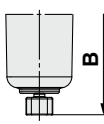
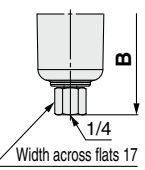
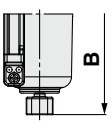
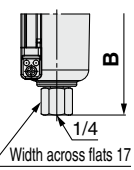


AC50A-V-D



Air Combination **AC20A-D to AC60A-D Series**

Applicable model	Optional specifications			
	Square embedded type pressure gauge	Digital pressure switch	Round type pressure gauge	Round type pressure gauge (with color zone)
AC20A-V-D to AC50A-V-D				

Applicable model	Optional specifications With auto drain	Semi-standard					
		PC/PA bowl		Metal bowl		Metal bowl with level gauge	
		Drain cock with barb fitting	With drain guide	With drain cock	With drain guide	With drain cock	With drain guide
AC20A-V-D							
AC30A-V-D to AC50A-V-D	<p>N.O.: Black N.C.: Gray</p> <p>Thread type/Rc, G: $\phi 10$ One-touch fitting Thread type/NPT: $\phi 3/8$" One-touch fitting</p> 	<p>Barb fitting applicable tubing: T0604</p> 					

Model	Standard specifications																			
	P ₁	P ₂	P ₃	A	B	C	E	F	G	J	K	M	N	Q ₁	Q ₂	R	S	U	V ₁	V ₂
AC20A-V-D	1/8, 1/4	1/8	1/8	126.4	87.6	71.8	—	41.6	60	21	5	30	43.2	24	33	5.5	11.5	3.5	29	38
AC30A-V-D	1/4, 3/8	1/8	1/4	167.4	115.3	86.5	30	55.1	80	26.5	3.5	41	57.2	35	—	7	14	6	42.5	42.5
AC40A-V-D	1/4, 3/8, 1/2	1/8	3/8	220.4	147.1	91.5	38.4	72.6	110	35.5	—	50	75.2	40	55	9	18	7	50	65
AC40A-06-V-D	3/4	1/8	1/2	235.4	149.1	93	38.4	77.6	110	35.5	—	50	80.2	40	55	9	18	7	50	65
AC50A-V-D	3/4, 1	1/8	1/2	287.4	234.1	155	—	98.1	110	45	—	70	96.2	50	70	11	20	8	60	80

Model	Optional specifications										Semi-standard specifications							
	Square embedded type pressure gauge		Digital pressure switch		Round type pressure gauge		Round type pressure gauge (Semi-standard: Z)		Round type pressure gauge (with color zone)		With auto drain	PC/PA bowl		Metal bowl		Metal bowl with level gauge		
	H	J	H	J	H	J	H	J	H	J	B	With barb fitting	With drain guide	With drain cock	With drain guide	With drain cock	With drain guide	
AC20A-V-D	□28	27	□27.8	37.5	∅37.5	57.5	∅37.5	58.5	∅37.5	58.5	104.9	—	91.4	87.4	93.9	—	—	
AC30A-V-D	□28	32.5	□27.8	43	∅37.5	63	∅37.5	64	∅37.5	64	157.1	123.9	122.2	117.8	122.3	137.8	142.3	
AC40A-V-D	□28	41.5	□27.8	52	∅42.5	73	∅42.5	73	∅42.5	73	186.9	155.6	153.9	149.5	154	169.5	174	
AC40A-06-V-D	□28	41.5	□27.8	52	∅42.5	73	∅42.5	73	∅42.5	73	188.9	157.6	155.9	151.5	156	171.5	176	
AC50A-V-D	□28	51	□27.8	61.5	∅42.5	82.5	∅42.5	82.5	∅42.5	82.5	273.9	242.6	240.9	236.5	241	256.5	261	

AC

AF + AR + AL

AW + AL

AF + AR

AF + AFM + AR

AW + AFM

Attachments

AF

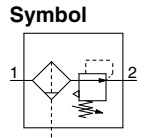
AFM / AFD

AR

AL

AW

AC20B-D to AC60B-D



How to Order

AC **30** B - **03** DE - **16** NR - D

① ② ③ ④ ⑤ ⑥

· Option/Semi-standard: Select one each for a to i.
 · Option/Semi-standard symbol:
 When more than one specification is required, indicate in alphanumeric order.
 Example) AC30B-F03DE1-16NR-D

		Symbol	Description	①					
				Body size					
				20	30	40	50	60	
②	Pipe thread type	Nil	Rc	●	●	●	●	●	
		N*1	NPT	●	●	●	●	●	
		F*2	G	●	●	●	●	●	
+									
③	Port size	01	1/8	●	—	—	—	—	
		02	1/4	●	●	●	—	—	
		03	3/8	—	●	●	—	—	
		04	1/2	—	—	●	—	—	
		06	3/4	—	—	●	●	—	
		10	1	—	—	—	●	●	
+									
④	a	Float type auto drain	Nil	Without auto drain	●	●	●	●	●
			C*4	N.C. (Normally closed) Drain port is closed when pressure is not applied.	●	●	●	●	●
			D*5	N.O. (Normally open) Drain port is open when pressure is not applied.	—	●	●	●	●
	+								
	b	Pressure gauge*6	Nil	Without pressure gauge	●	●	●	●	●
			E	Square embedded type pressure gauge (with limit indicator)	●	●	●	●	●
			G	Round type pressure gauge (with limit indicator)	●	●	●	●	●
			M	Round type pressure gauge (with color zone)	●	●	●	●	●
		Digital pressure switch	E1	Output: NPN output, Electrical entry: Wiring bottom entry	●	●	●	●	●
			E2	Output: NPN output, Electrical entry: Wiring top entry	●	●	●	●	●
E3			Output: PNP output, Electrical entry: Wiring bottom entry	●	●	●	●	●	
		E4	Output: PNP output, Electrical entry: Wiring top entry	●	●	●	●	●	
+									
⑤	c	Pressure relief 3-port valve	Nil	Without attachment	●	●	●	●	●
			V	Mounting position: AF + AR + V	●	●	●	●	—
			V1*7	Mounting position: V + AF + AR□K	●	●	●	●	—
+									
⑥	d	Set pressure*8	Nil	0.05 to 0.85 MPa setting	●	●	●	●	●
			1	0.02 to 0.2 MPa setting	●	●	●	●	●
	+								
	e	Bowl*9	Nil	Polycarbonate bowl	●	●	●	●	●
			2	Metal bowl	●	●	●	●	●
			6	Nylon bowl	●	●	●	●	●
			8	Metal bowl with level gauge	—	●	●	●	●
			C	With bowl guard	●	—*10	—*10	—*10	—*10
			6C	With bowl guard (Nylon bowl)	●	—*11	—*11	—*11	—*11
	+								
	f	Air filter drain port*12	Nil	With drain cock	●	●	●	●	●
			J*13	Drain guide 1/8	●	—	—	—	—
			W*14	Drain cock with barb fitting (for ø6 x ø4 nylon tube)	—	●	●	●	●
	+								
	g	Exhaust mechanism	Nil	Relieving type	●	●	●	●	●
N			Non-relieving type	●	●	●	●	●	

Air Combination **AC20B-D to AC60B-D Series**



AC30B-D

		Symbol	Description	① Body size					
				20	30	40	50	60	
⑥ Semi-standard	h	Flow direction	Nil	Flow direction: Left to right	●	●	●	●	●
			R	Flow direction: Right to left	●	●	●	●	●
			+						
i	Unit		Nil	Unit on product label: MPa, °C, Pressure gauge in SI units: MPa	●	●	●	●	●
			Z *15	Unit on product label: psi, °F, Pressure gauge: MPa/psi dual scale	○*17	○*17	○*17	○*17	○*17
			ZA *16	Digital pressure switch: With unit selection function	△*18	△*18	△*18	△*18	△*18

- *1 Drain guide is NPT1/8 (applicable to the AC20B-D) and NPT1/4 (applicable to the AC30B-D to AC60B-D). The auto drain port comes with a ø3/8" One-touch fitting (applicable to the AC30B-D to AC60B-D).
- *2 Drain guide is G1/8 (applicable to the AC20B-D) and G1/4 (applicable to the AC30B-D to AC60B-D).
- *3 Options G and M are not assembled and supplied loose at the time of shipment.
- *4 When pressure is not applied, condensate which does not start the auto drain mechanism will be left in the bowl. Releasing the residual condensate before ending operations for the day is recommended.
- *5 If the compressor is small (0.75 kW, discharge flow is less than 100 L/min (ANR)), air leakage from the drain cock may occur during the start of operations. N.C. type is recommended.
- *6 When the pressure gauge is attached, a 1.0 MPa pressure gauge will be fitted for standard (0.85 MPa) type. 0.4 MPa pressure gauge for 0.2 MPa type.
- *7 The regulator is equipped with a backflow function in this configuration. Additionally, when performing maintenance work, make sure that the outlet pressure is released to atmospheric pressure using a pressure gauge.
- *8 Pressure can be set higher than the specification pressure in some cases, but use pressure within the specification range.
- *9 Refer to chemical data on page 68 for chemical resistance of the bowl.
- *10 A bowl guard is provided as standard equipment (polycarbonate).
- *11 A bowl guard is provided as standard equipment (nylon).
- *12 The combination of float type auto drain C and D is not available.
- *13 Without a valve function
- *14 The combination of metal bowl 2 and 8 is not available.
- *15 For the pipe thread type: NPT
This product is for overseas use only according to the New Measurement Act. (The SI unit type is provided for use in Japan.)
Cannot be used with M: Round type pressure gauge (with color zone). Available by request for special. The digital pressure switch will be equipped with the unit selection function, setting to psi initially.
- *16 For options: E1, E2, E3, E4
This product is for overseas use only according to the New Measurement Act. (The SI unit is provided for use in Japan.)
- *17 ○: For the pipe thread type: NPT only
- *18 △: Select with options: E1, E2, E3, E4.

Standard Specifications

Model		AC20B-D	AC30B-D	AC40B-D	AC40B-06-D	AC50B-D	AC60B-D
Component	Air Filter [AF]	AF20-D	AF30-D	AF40-D	AF40-06-D	AF50-D	AF60-D
	Regulator [AR]	AR20-D	AR30-D	AR40-D	AR40-06-D	AR50-D	AR60-D
Port size		1/8, 1/4	1/4, 3/8	1/4, 3/8, 1/2	3/4	3/4, 1	1
Pressure gauge port size*1 [AR]		1/8					
Fluid		Air					
Ambient and fluid temperatures*2		-5 to 60°C (No freezing)					
Proof pressure		1.5 MPa					
Max. operating pressure		1.0 MPa					
Auto drain minimum operating pressure	N.C. [AF]	0.1 MPa	0.15 MPa				
	N.O. [AF]	—	0.1 MPa				
Set pressure range [AR]		0.05 to 0.85 MPa					
Nominal filtration rating*3 [AF]		5 µm					
Compressed air purity class*4		ISO 8573-1:2010 [6 : 4 : 4]*5					
Drain capacity [AF]		8 cm ³	25 cm ³	45 cm ³			
Bowl material [AF]		Polycarbonate					
Bowl guard [AF]		Semi-standard (Steel)	Standard (Polycarbonate)				
Construction [AR]		Relieving type					
Weight		0.25 kg	0.51 kg	0.95 kg	1.02 kg	2.20 kg	2.39 kg

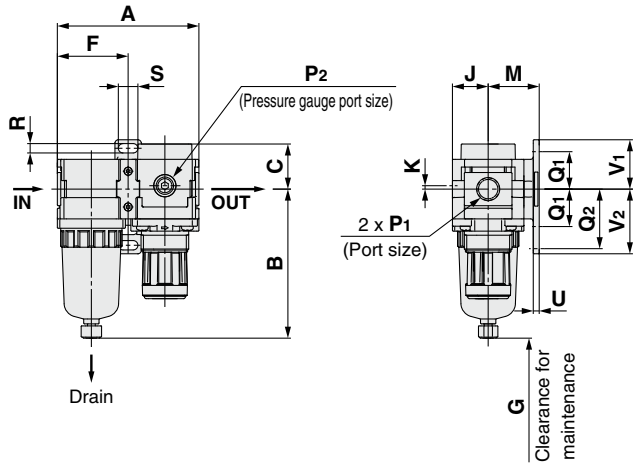
- *1 Pressure gauge connection threads are not available for F.R.L. unit with a square embedded type pressure gauge or with a digital pressure switch.
- *2 -5 to 50°C for the products with the digital pressure switch
- *3 For the following conditions in accordance with [Test condition: ISO 8573-4:2001 compliant, Test method ISO 12500-3:2009 compliant]
Conditions: When a new element is used, and the flow capacity, inlet pressure, and the amount of solid bodies on the filter inlet side are stable
- *4 The compressed air purity class is indicated based on ISO 8573-1:2010 Compressed air – Part 1: Contaminants and purity classes.
For details on this standard, refer to page 110.
- *5 The compressed air quality class on the inlet side is [7 : 4 : 4].

AC
 AF + AR + AL
 AF + AR
 AW + AL
 AW + AL
 AF + AR
 AF + AFM + AR
 AF + AFM
 AW + AFM
 Attachments
 AF
 AFM / AFD
 AR
 AL
 AW

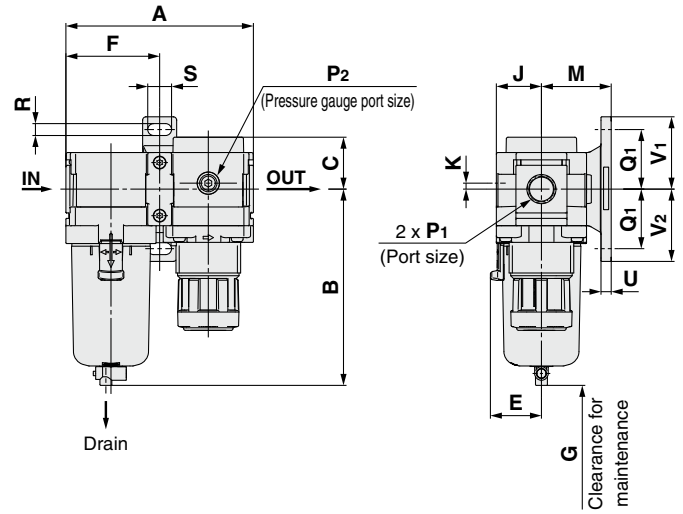
AC20B-D to AC60B-D Series

Dimensions

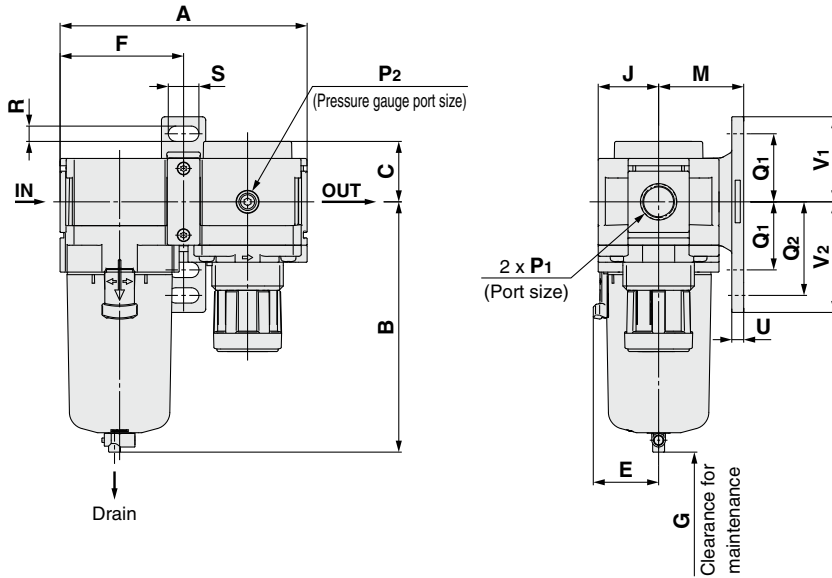
AC20B-D



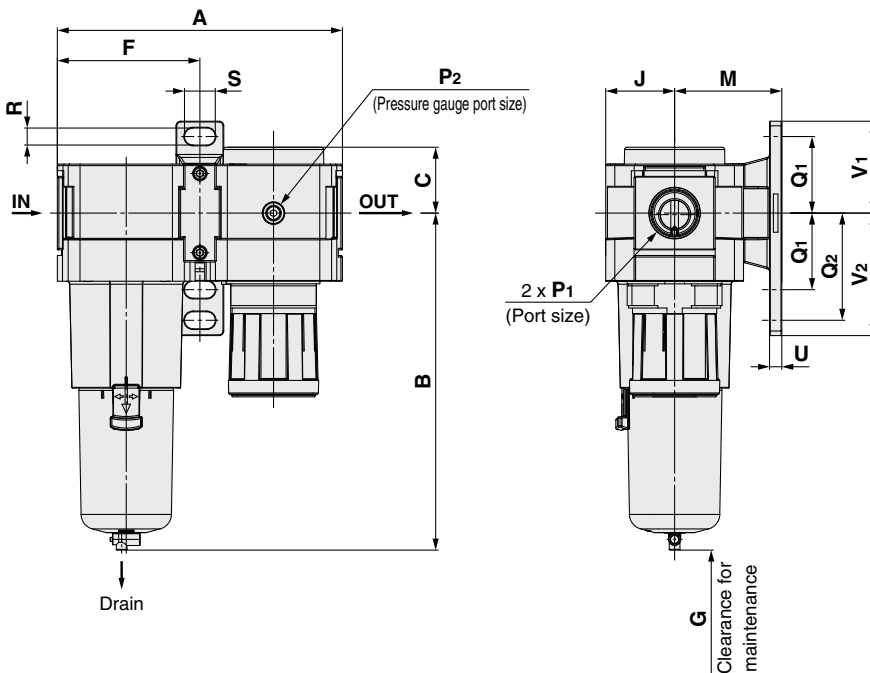
AC30B-D



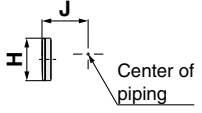
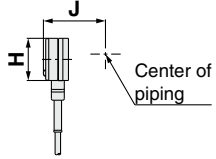
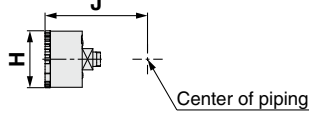
AC40B-D to AC40B-06-D

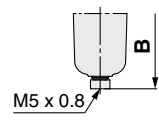
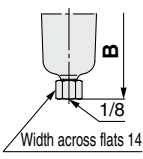
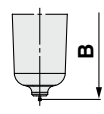
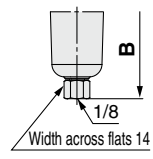
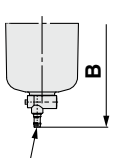
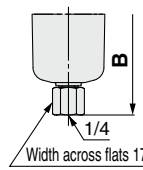
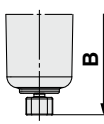
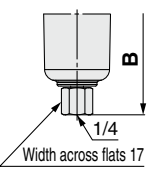
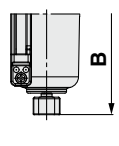
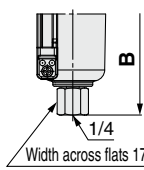


AC50B-D to AC60B-D



Air Combination **AC20B-D to AC60B-D Series**

Applicable model	Optional specifications			
	Square embedded type pressure gauge	Digital pressure switch	Round type pressure gauge	Round type pressure gauge (with color zone)
AC20B-D to AC60B-D				

Applicable model	Optional specifications	Semi-standard					
	With auto drain	PC/PA bowl		Metal bowl		Metal bowl with level gauge	
		Drain cock with barb fitting	With drain guide	With drain cock	With drain guide	With drain cock	With drain guide
AC20B-D							
AC30B-D to AC60B-D	N.O.: Black N.C.: Gray Thread type/Rc, G: ø10 One-touch fitting Thread type/NPT: ø3/8" One-touch fitting						

Model	Standard specifications																	
	P ₁	P ₂	A	B	C	E	F	G	J	K	Bracket mount							
											M	Q ₁	Q ₂	R	S	U	V ₁	V ₂
AC20B-D	1/8, 1/4	1/8	83.2	87.6	26.5	—	41.6	25	21	2	30	24	33	5.5	11.5	3.5	29	38
AC30B-D	1/4, 3/8	1/8	110.2	115.4	30.5	30	55.1	35	26.5	3.5	41	35	—	7	14	6	42.5	42.5
AC40B-D	1/4, 3/8, 1/2	1/8	145.2	147.1	35.5	38.4	72.6	40	35.5	—	50	40	55	9	18	7	50	65
AC40B-06-D	3/4	1/8	155.2	149.1	35.5	38.4	77.6	40	35.5	—	50	40	55	9	18	7	50	65
AC50B-D	3/4, 1	1/8	186.2	220.1	43	—	93.1	30	45	—	70	50	70	11	20	8	60	80
AC60B-D	1	1/8	196.2	234.1	45	—	98.1	30	45	—	70	50	70	11	20	8	60	80

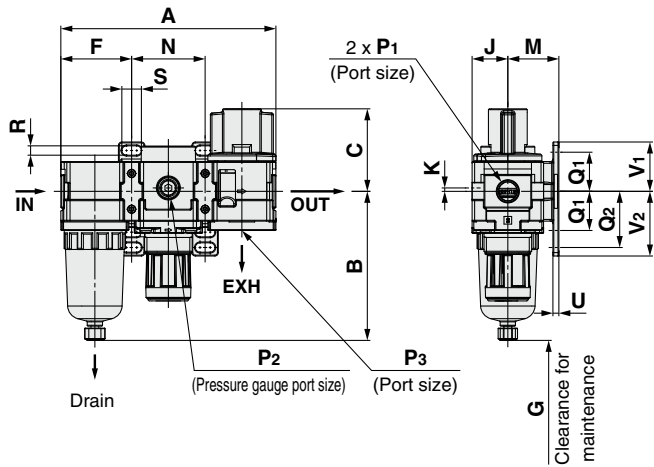
Model	Optional specifications										Semi-standard specifications						
	Square embedded type pressure gauge		Digital pressure switch		Round type pressure gauge		Round type pressure gauge (Semi-standard: Z)		Round type pressure gauge (with color zone)		With auto drain	PC/PA bowl		Metal bowl		Metal bowl with level gauge	
	H	J	H	J	H	J	H	J	H	J		B	With barb fitting	With drain guide	With drain cock	With drain guide	With drain cock
AC20B-D	□28	27	□27.8	37.5	ø37.5	57.5	ø37.5	58.5	ø37.5	58.5	104.9	—	91.4	87.4	93.9	—	—
AC30B-D	□28	32.5	□27.8	43	ø37.5	63	ø37.5	64	ø37.5	64	157.1	123.9	122.2	117.8	122.3	137.8	142.3
AC40B-D	□28	41.5	□27.8	52	ø42.5	73	ø42.5	73	ø42.5	73	186.9	155.6	153.9	149.5	154	169.5	174
AC40B-06-D	□28	41.5	□27.8	52	ø42.5	73	ø42.5	73	ø42.5	73	188.9	157.6	155.9	151.5	156	171.5	176
AC50B-D	□28	51	□27.8	61.5	ø42.5	82.5	ø42.5	82.5	ø42.5	82.5	259.9	228.6	226.9	222.5	227	242.5	247
AC60B-D	□28	51	□27.8	61.5	ø42.5	82.5	ø42.5	82.5	ø42.5	82.5	273.9	242.6	240.9	236.5	241	256.5	261

AC
 AF + AR + AL
 AF + AR
 AW + AL
 AF + AFM + AR
 AFM
 AW + AFM
 Attachments
 AF
 AFM / AFD
 AR
 AL
 AW

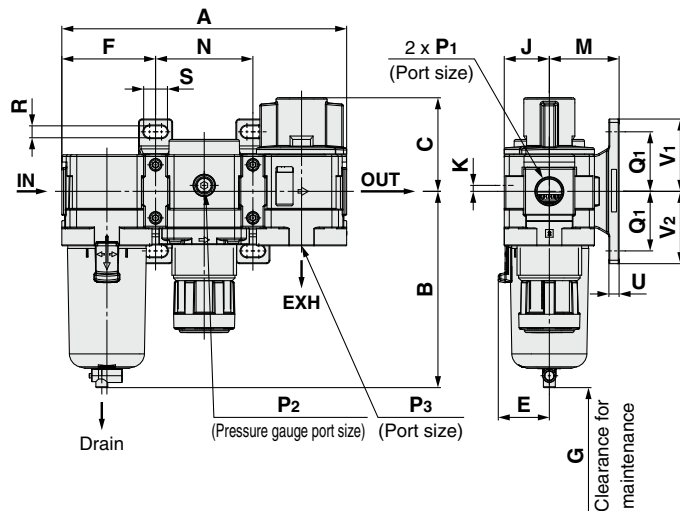
AC20B-D to AC60B-D Series

Dimensions: With Pressure Relief 3-Port Valve (V)

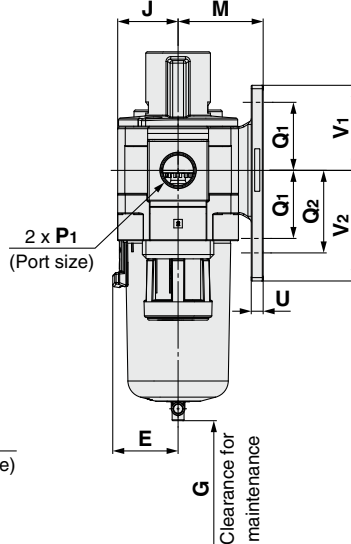
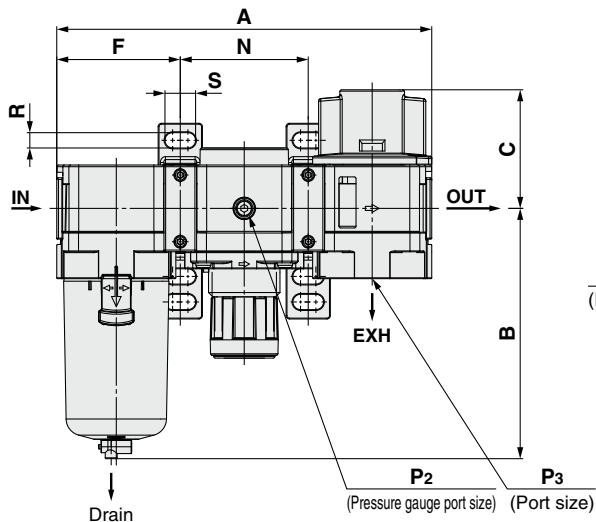
AC20B-V-D



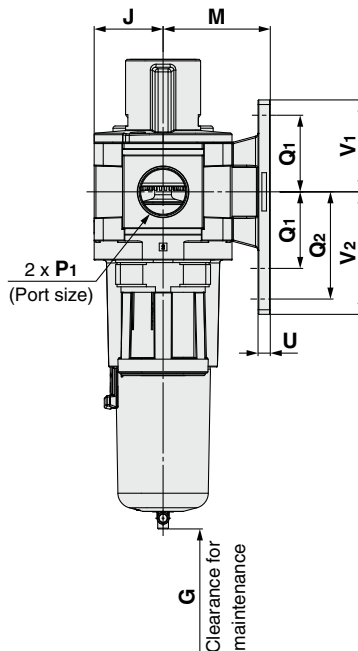
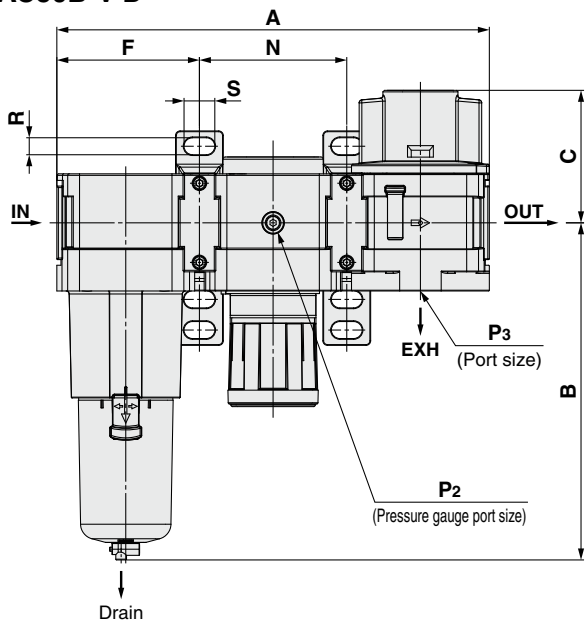
AC30B-V-D



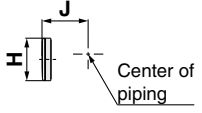
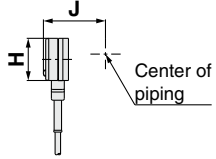
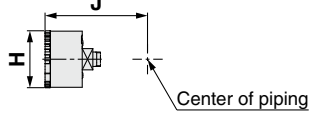
AC40B-V-D to AC40B-06-V-D

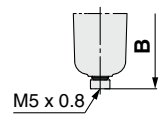
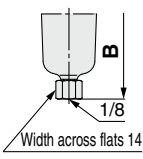
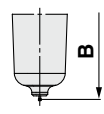
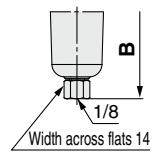
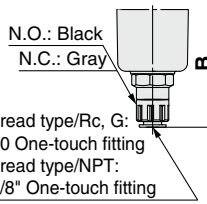
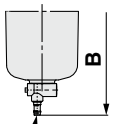
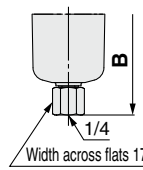
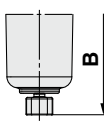
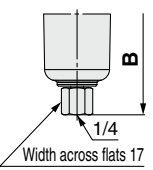
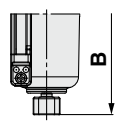
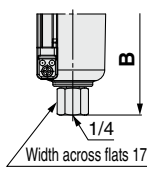


AC50B-V-D



Air Combination **AC20B-D to AC60B-D Series**

Applicable model	Optional specifications			
	Square embedded type pressure gauge	Digital pressure switch	Round type pressure gauge	Round type pressure gauge (with color zone)
AC20B-V-D to AC50B-V-D				

Applicable model	Optional specifications	Semi-standard					
	With auto drain	PC/PA bowl		Metal bowl		Metal bowl with level gauge	
		Drain cock with barb fitting	With drain guide	With drain cock	With drain guide	With drain cock	With drain guide
AC20B-V-D							
AC30B-V-D to AC50B-V-D	<p>N.O.: Black N.C.: Gray</p> 						

Model	Standard specifications																			
												Bracket mount								
	P ₁	P ₂	P ₃	A	B	C	E	F	G	J	K	M	N	Q ₁	Q ₂	R	S	U	V ₁	V ₂
AC20B-V-D	1/8, 1/4	1/8	1/8	126.4	87.6	48.5	—	41.6	25	21	2	30	43.2	24	33	5.5	11.5	3.5	29	38
AC30B-V-D	1/4, 3/8	1/8	1/4	167.4	115.4	55	30	55.1	35	26.5	3.5	41	57.2	35	—	7	14	6	42.5	42.5
AC40B-V-D	1/4, 3/8, 1/2	1/8	3/8	220.4	147.1	69.7	38.4	72.6	40	35.5	—	50	75.2	40	55	9	18	7	50	65
AC40B-06-V-D	3/4	1/8	1/2	235.4	149.1	71.7	38.4	77.6	40	35.5	—	50	80.2	40	55	9	18	7	50	65
AC50B-V-D	3/4, 1	1/8	1/2	282.4	220.1	86.5	—	93.1	30	45	—	70	96.2	50	70	11	20	8	60	80

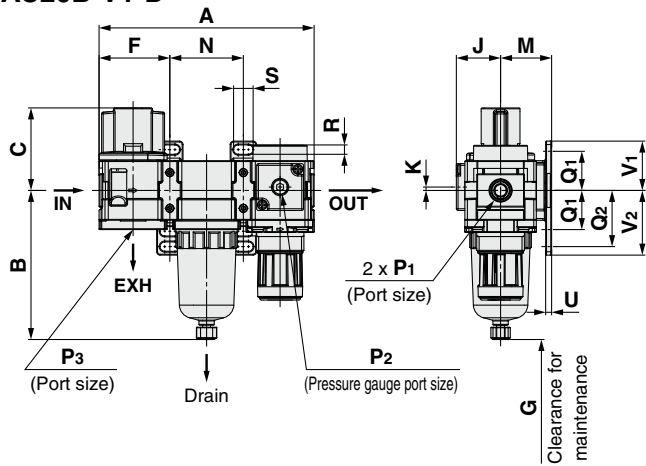
Model	Optional specifications										Semi-standard specifications							
	Square embedded type pressure gauge		Digital pressure switch		Round type pressure gauge		Round type pressure gauge (Semi-standard: Z)		Round type pressure gauge (with color zone)		With auto drain	PC/PA bowl		Metal bowl		Metal bowl with level gauge		
	H	J	H	J	H	J	H	J	H	J	B	With barb fitting	With drain guide	With drain cock	With drain guide	With drain cock	With drain guide	
AC20B-V-D	□28	27	□27.8	37.5	ø37.5	57.5	ø37.5	58.5	ø37.5	58.5	104.9	—	91.4	87.4	93.9	—	—	
AC30B-V-D	□28	32.5	□27.8	43	ø37.5	63	ø37.5	64	ø37.5	64	157.1	123.9	122.2	117.8	122.3	137.8	142.3	
AC40B-V-D	□28	41.5	□27.8	52	ø42.5	73	ø42.5	73	ø42.5	73	186.9	155.6	153.9	149.5	154	169.5	174	
AC40B-06-V-D	□28	41.5	□27.8	52	ø42.5	73	ø42.5	73	ø42.5	73	188.9	157.6	155.9	151.5	156	171.5	176	
AC50B-V-D	□28	51	□27.8	61.5	ø42.5	82.5	ø42.5	82.5	ø42.5	82.5	259.9	228.6	226.9	222.5	227	242.5	247	

AC
AF + AR + AL
AW + AL
AF + AR
AF + AFM + AR
AW + AFM
Attachments
AF
AFM / AFD
AR
AL
AW

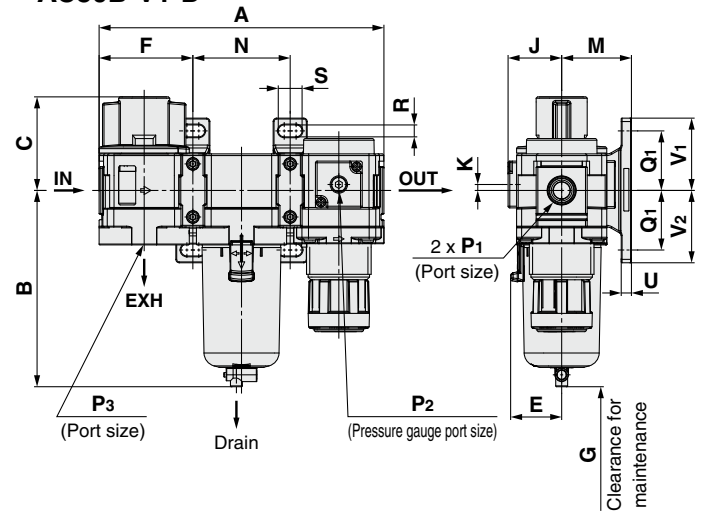
AC20B-D to AC60B-D Series

Dimensions: With Pressure Relief 3-Port Valve (V1)

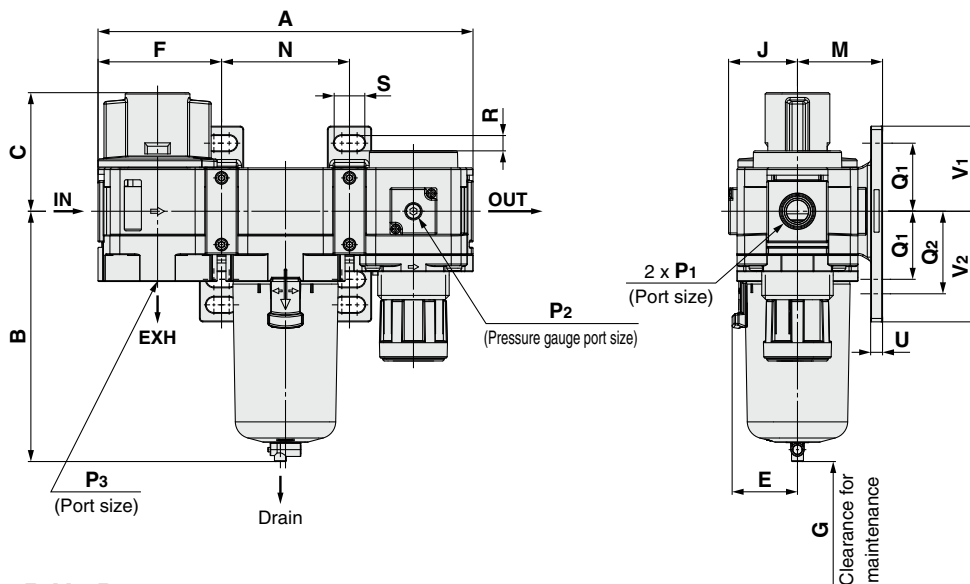
AC20B-V1-D



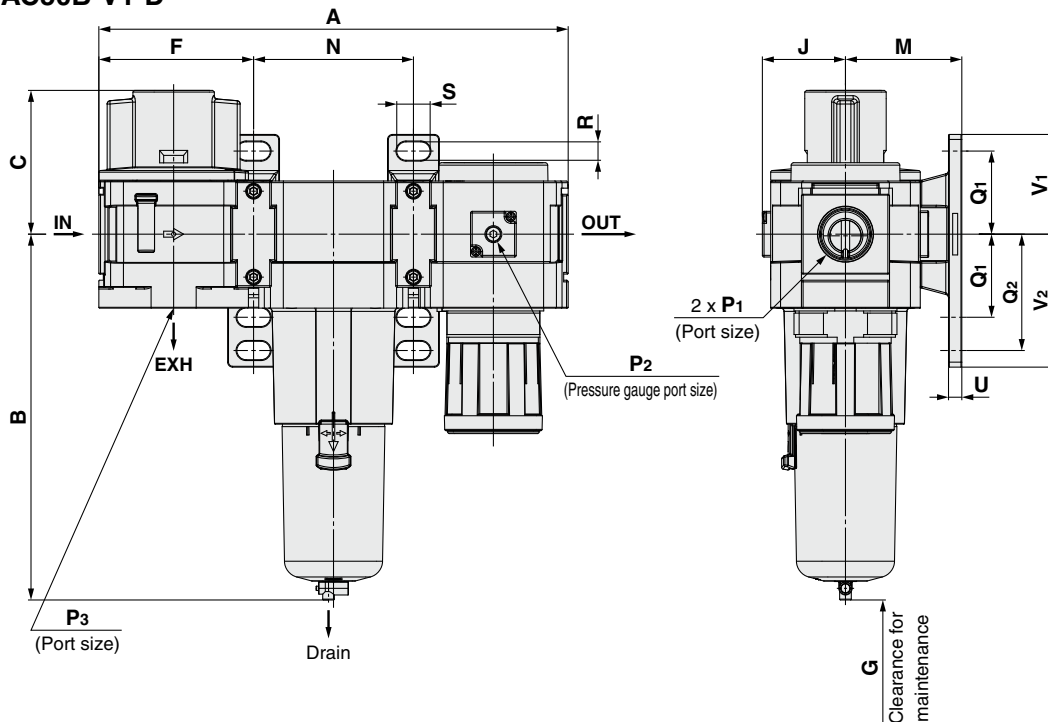
AC30B-V1-D



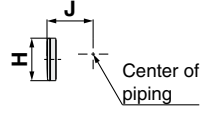
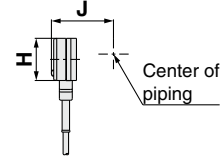
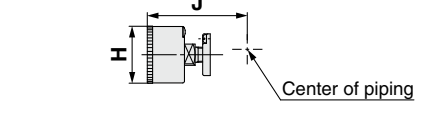
AC40B-V1-D to AC40B-06-V1-D

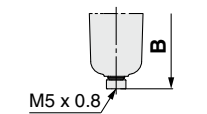
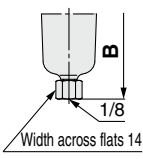
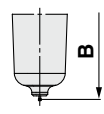
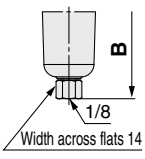
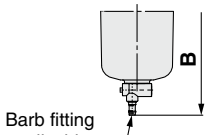
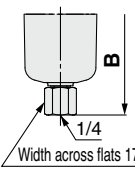
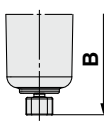
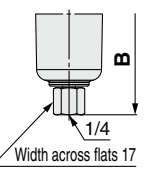
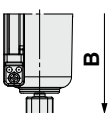
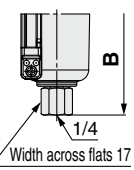


AC50B-V1-D



Air Combination **AC20B-D to AC60B-D Series**

Applicable model	Optional specifications			
	Square embedded type pressure gauge	Digital pressure switch	Round type pressure gauge	Round type pressure gauge (with color zone)
AC20B-V1-D to AC50B-V1-D				

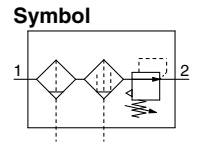
Applicable model	Optional specifications	Semi-standard					
	With auto drain	PC/PA bowl		Metal bowl		Metal bowl with level gauge	
		Drain cock with barb fitting	With drain guide	With drain cock	With drain guide	With drain cock	With drain guide
AC20B-V1-D							
AC30B-V1-D to AC50B-V1-D	N.O.: Black N.C.: Gray Thread type/Rc, G: ø10 One-touch fitting Thread type/NPT: ø3/8" One-touch fitting						

Model	Standard specifications																			
	P ₁	P ₂	P ₃	A	B	C	E	F	G	J	K	M	N	Q ₁	Q ₂	R	S	U	V ₁	V ₂
AC20B-V1-D	1/8, 1/4	1/8	1/8	126.4	87.6	48.5	—	41.6	25	26	2	30	43.2	24	33	5.5	11.5	3.5	29	38
AC30B-V1-D	1/4, 3/8	1/8	1/4	167.4	115.4	55	30	55.1	35	31.5	3.5	41	57.2	35	—	7	14	6	42.5	42.5
AC40B-V1-D	1/4, 3/8, 1/2	1/8	3/8	220.4	147.1	69.7	38.4	72.6	40	40.5	—	50	75.2	40	55	9	18	7	50	65
AC40B-06-V1-D	3/4	1/8	1/2	235.4	149.1	71.7	38.4	77.6	40	40.5	—	50	80.2	40	55	9	18	7	50	65
AC50B-V1-D	3/4, 1	1/8	1/2	282.4	220.1	86.5	—	93.1	30	50	—	70	96.2	50	70	11	20	8	60	80

Model	Optional specifications											Semi-standard specifications							
	Square embedded type pressure gauge		Digital pressure switch		Round type pressure gauge		Round type pressure gauge (Semi-standard: Z)		Round type pressure gauge (with color zone)		With auto drain	PC/PA bowl		Metal bowl		Metal bowl with level gauge			
	H	J	H	J	H	J	H	J	H	J	B	With barb fitting	With drain guide	With drain cock	With drain guide	With drain cock	With drain guide		
AC20B-V1-D	□28	27	□27.8	37.5	ø37.5	62.5	ø37.5	63.5	ø37.5	63.5	104.9	—	91.4	87.4	93.9	—	—		
AC30B-V1-D	□28	32.5	□27.8	43	ø37.5	68	ø37.5	69	ø37.5	69	157.1	123.9	122.2	117.8	122.3	137.8	142.3		
AC40B-V1-D	□28	41.5	□27.8	52	ø42.5	78	ø42.5	78	ø42.5	78	186.9	155.6	153.9	149.5	154	169.5	174		
AC40B-06-V1-D	□28	41.5	□27.8	52	ø42.5	73	ø42.5	73	ø42.5	73	188.9	157.6	155.9	151.5	156	171.5	176		
AC50B-V1-D	□28	51	□27.8	61.5	ø42.5	82.5	ø42.5	82.5	ø42.5	82.5	259.9	228.6	226.9	222.5	227	242.5	247		

AC
AF + AR + AL
AW + AL
AF + AR
AF + AFM + AR
AW + AFM
Attachments
AF
AFM / AFD
AR
AL
AW

AC20C-D to AC40C-D



How to Order

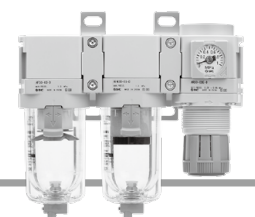
AC **30** C - **03** DE - **01** - **01** - **01** - D

① ② ③ ④ ⑤ ⑥

· Option/Semi-standard: Select one each for a to i.
 · Option/Semi-standard symbol:
 When more than one specification is required, indicate in alphanumeric order.
 Example) AC30C-F03DE1-16NR-D

		Symbol	Description	①			
				Body size			
				20	30	40	
②	Pipe thread type	Nil	Rc	●	●	●	
		N* ¹	NPT	●	●	●	
		F* ²	G	●	●	●	
+							
③	Port size	01	1/8	●	—	—	
		02	1/4	●	●	●	
		03	3/8	—	●	●	
		04	1/2	—	—	●	
		06	3/4	—	—	●	
+							
④	a	Float type auto drain	Nil	Without auto drain	●	●	●
			C* ⁴	N.C. (Normally closed) Drain port is closed when pressure is not applied.	●	●	●
			D* ⁵	N.O. (Normally open) Drain port is open when pressure is not applied.	—	●	●
	+						
	b	Pressure gauge* ⁶	Nil	Without pressure gauge	●	●	●
			E	Square embedded type pressure gauge (with limit indicator)	●	●	●
			G	Round type pressure gauge (with limit indicator)	●	●	●
			M	Round type pressure gauge (with color zone)	●	●	●
		Digital pressure switch	E1	Output: NPN output, Electrical entry: Wiring bottom entry	●	●	●
			E2	Output: NPN output, Electrical entry: Wiring top entry	●	●	●
E3			Output: PNP output, Electrical entry: Wiring bottom entry	●	●	●	
E4	Output: PNP output, Electrical entry: Wiring top entry	●	●	●			
+							
⑤	c	Pressure relief 3-port valve	Nil	Without attachment	●	●	●
			V	Mounting position: AF + AFM + AR + V	●	●	●
			V1* ⁷	Mounting position: V + AF + AFM + AR□K	●	●	●
+							
⑥	d	Set pressure* ⁸	Nil	0.05 to 0.85 MPa setting	●	●	●
			1	0.02 to 0.2 MPa setting	●	●	●
	+						
	e	Bowl* ⁹	Nil	Polycarbonate bowl	●	●	●
			2	Metal bowl	●	●	●
			6	Nylon bowl	●	●	●
			8	Metal bowl with level gauge	—	●	●
			C	With bowl guard	●	—* ¹⁰	—* ¹⁰
			6C	With bowl guard (Nylon bowl)	●	—* ¹¹	—* ¹¹
	+						
	f	Air filter Mist separator drain port* ¹²	Nil	With drain cock	●	●	●
			J* ¹³	Drain guide 1/8	●	—	—
				Drain guide 1/4	—	●	●
			W* ¹⁴	Drain cock with barb fitting (for ø6 x ø4 nylon tube)	—	●	●
	+						
g	Exhaust mechanism	Nil	Relieving type	●	●	●	
		N	Non-relieving type	●	●	●	

Air Combination **AC20C-D to AC40C-D Series**



AC30C-D

		Symbol	Description	①		
				Body size		
				20	30	40
⑥	h	Flow direction	Nil	Flow direction: Left to right		
			R	Flow direction: Right to left		
	+			●	●	●
	i	Unit	Nil	Unit on product label: MPa, °C, Pressure gauge in SI units: MPa		
Z*15			Unit on product label: psi, °F, Pressure gauge: MPa/psi dual scale			
ZA*16			Digital pressure switch: With unit selection function			
			●	○*17	○*17	○*17
			△*18	△*18	△*18	△*18

- *1 Drain guide is NPT1/8 (applicable to the AC20C-D) and NPT1/4 (applicable to the AC30C-D to AC40C-D). The auto drain port comes with a $\phi 3/8$ " One-touch fitting (applicable to the AC30C-D to AC40C-D).
- *2 Drain guide is G1/8 (applicable to the AC20C-D) and G1/4 (applicable to the AC30C-D to AC40C-D).
- *3 Options G and M are not assembled and supplied loose at the time of shipment.
- *4 When pressure is not applied, condensate which does not start the auto drain mechanism will be left in the bowl. Releasing the residual condensate before ending operations for the day is recommended.
- *5 If the compressor is small (0.75 kW, discharge flow is less than 100 L/min (ANR)), air leakage from the drain cock may occur during the start of operations. N.C. type is recommended.
- *6 When the pressure gauge is attached, a 1.0 MPa pressure gauge will be fitted for standard (0.85 MPa) type. 0.4 MPa pressure gauge for 0.2 MPa type.
- *7 The regulator is equipped with a backflow function in this configuration. Additionally, when performing maintenance work, make sure that the outlet pressure is released to atmospheric pressure using a pressure gauge.
- *8 Pressure can be set higher than the specification pressure in some cases, but use pressure within the specification range.
- *9 Refer to chemical data on pages 68 and 75 for chemical resistance of the bowl.
- *10 A bowl guard is provided as standard equipment (polycarbonate).
- *11 A bowl guard is provided as standard equipment (nylon).
- *12 The combination of float type auto drain C and D is not available.
- *13 Without a valve function
- *14 The combination of metal bowl 2 and 8 is not available.
- *15 For the pipe thread type: NPT
This product is for overseas use only according to the New Measurement Act. (The SI unit type is provided for use in Japan.)
Cannot be used with M: Round type pressure gauge (with color zone). Available by request for special.
The digital pressure switch will be equipped with the unit selection function, setting to psi initially.
- *16 For options: E1, E2, E3, E4
This product is for overseas use only according to the New Measurement Act. (The SI unit is provided for use in Japan.)
- *17 ○: For the pipe thread type: NPT only
- *18 △: Select with options: E1, E2, E3, E4.

Standard Specifications

Model		AC20C-D	AC30C-D	AC40C-D	AC40C-06-D
Component	Air Filter [AF]	AF20-D	AF30-D	AF40-D	AF40-06-D
	Mist Separator [AFM]	AFM20-D	AFM30-D	AFM40-D	AFM40-06-D
	Regulator [AR]	AR20-D	AR30-D	AR40-D	AR40-06-D
Port size		1/8, 1/4	1/4, 3/8	1/4, 3/8, 1/2	3/4
Pressure gauge port size*1 [AR]		1/8			
Fluid		Air			
Ambient and fluid temperatures*2		-5 to 60°C (No freezing)			
Proof pressure		1.5 MPa			
Max. operating pressure		1.0 MPa			
Auto drain minimum operating pressure	N.C. [AF/AFM]	0.1 MPa	0.15 MPa		
	N.O. [AF/AFM]	—	0.1 MPa		
Set pressure range [AR]		0.05 to 0.85 MPa			
Max. flow capacity*3 [AFM]		200 L/min (ANR)	450 L/min (ANR)	1100 L/min (ANR)	
Nominal filtration rating*4 [AF]		5 μ m			
	[AFM]	0.3 μ m (99.9% filtered particle size)			
Outlet side oil mist concentration*5, *6 [AFM]		Max. 1.0 mg/m ³ (\approx 0.8 ppm)			
Compressed air purity class*7		ISO 8573-1:2010 [3 : 4 : 3]*8			
Drain capacity [AF/AFM]		8 cm ³	25 cm ³	45 cm ³	
Bowl material [AF/AFM]		Polycarbonate			
Bowl guard [AF/AFM]		Semi-standard (Steel)	Standard (Polycarbonate)		
Construction [AR]		Relieving type			
Weight		0.38 kg	0.75 kg	1.42 kg	1.54 kg

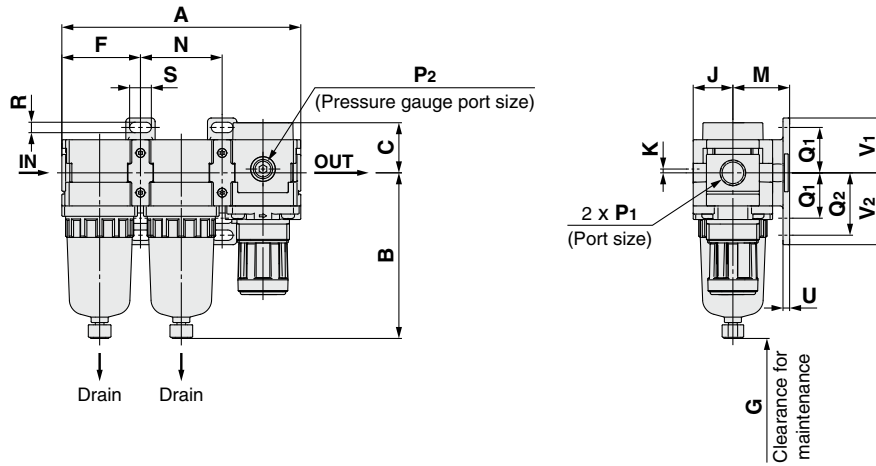
- *1 Pressure gauge connection threads are not available for F.R.L. unit with a square embedded type pressure gauge or with a digital pressure switch.
- *2 -5 to 50°C for the products with the digital pressure switch
- *3 Mist separator inlet pressure: 0.7 MPa. Flow at 20°C, atmospheric pressure, and 65% of the relative humidity
The maximum flow capacity varies depending on the inlet pressure.
Keep the air flow within the maximum flow capacity to prevent an outflow of lubricant to the outlet side.
- *4 For the following conditions in accordance with [Test condition: ISO 8573-4:2001, Test method ISO 12500-3:2009 compliant] in addition to the conditions above
Conditions: When a new element is used, and the flow capacity, inlet pressure, and the amount of solid bodies on the filter inlet side are stable
- *5 The outlet side oil mist concentration for the following conditions in accordance with [Test condition: ISO 8573-2:2007, Test method ISO 12500-1:2007 compliant] in addition to the conditions above
Conditions: When a new element is used, the oil mist concentration on the filter inlet side is 10 mg/m³, and the flow capacity, inlet pressure, and the oil mist concentration on the filter inlet side are stable
- *6 The bowl seal and other O-rings are slightly lubricated.
- *7 The compressed air purity class is indicated based on ISO 8573-1:2010 Compressed air – Part 1: Contaminants and purity classes.
For details on this standard, refer to page 110.
- *8 The compressed air quality class on the inlet side is [7 : 4 : 4].

AC
 AF + AR + AL
 AF + AR
 AW + AL
 AF + AR
 AF + AFM + AR
 AW + AFM
 Attachments
 AF
 AFM / AFD
 AR
 AL
 AW

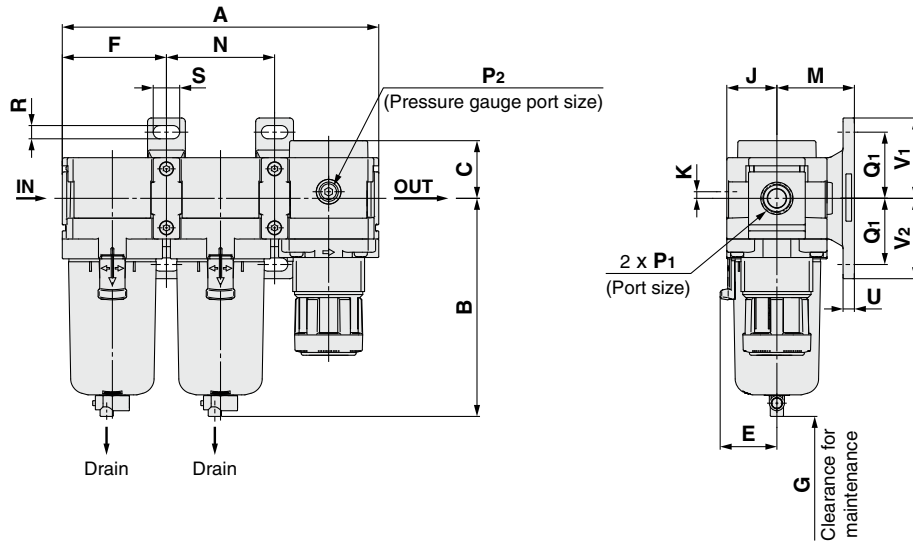
AC20C-D to AC40C-D Series

Dimensions

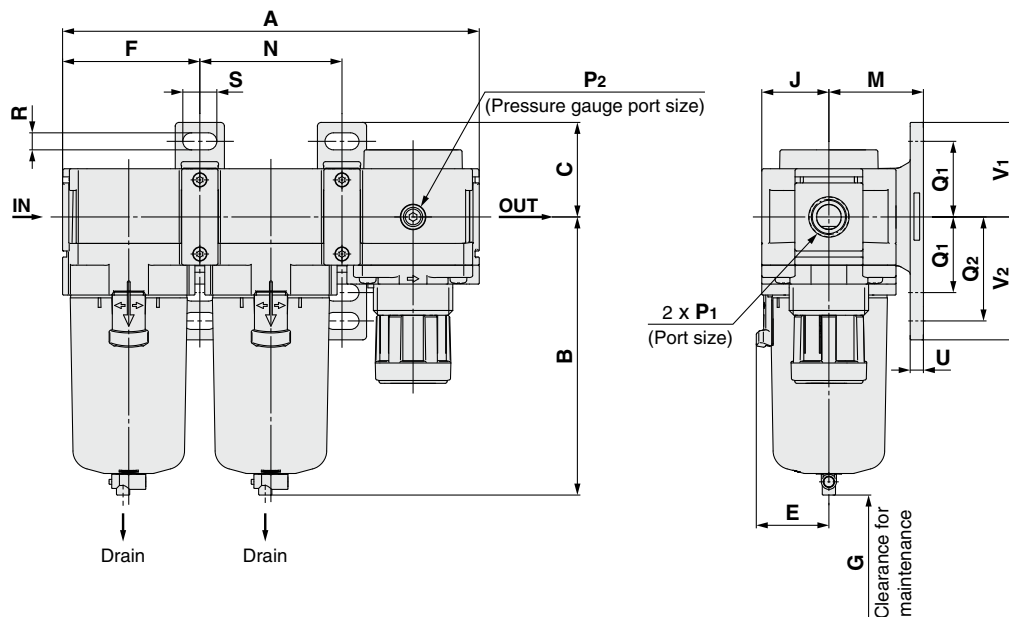
AC20C-D



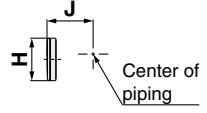
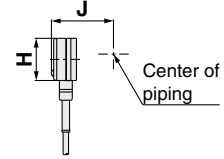
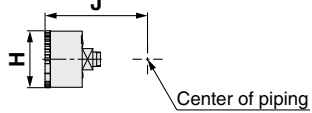
AC30C-D

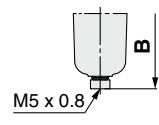
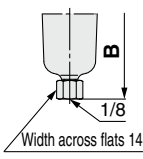
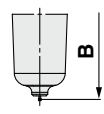
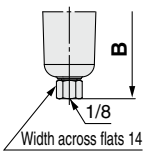
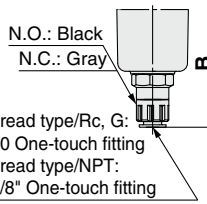
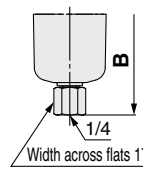
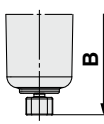
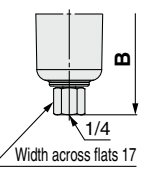
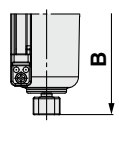
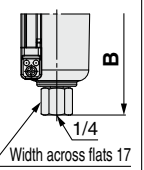


AC40C-D to AC40C-06-D



Air Combination **AC20C-D to AC40C-D Series**

Applicable model	Optional specifications			
	Square embedded type pressure gauge	Digital pressure switch	Round type pressure gauge	Round type pressure gauge (with color zone)
AC20C-D to AC40C-06-D				

Applicable model	Optional specifications	Semi-standard					
	With auto drain	PC/PA bowl		Metal bowl		Metal bowl with level gauge	
		Drain cock with barb fitting	With drain guide	With drain cock	With drain guide	With drain cock	With drain guide
AC20C-D							
AC30C-D to AC40C-06-D	N.O.: Black N.C.: Gray Thread type/Rc, G: $\phi 10$ One-touch fitting Thread type/NPT: $\phi 3/8$ " One-touch fitting						

Model	Standard specifications																		
											Bracket mount								
	P ₁	P ₂	A	B	C	E	F	G	J	K	M	N	Q ₁	Q ₂	R	S	U	V ₁	V ₂
AC20C-D	1/8, 1/4	1/8	126.4	87.6	26.5	—	41.6	40	21	2	30	43.2	24	33	5.5	11.5	3.5	29	38
AC30C-D	1/4, 3/8	1/8	167.4	115.4	30.5	30	55.1	50	26.5	3.5	41	57.2	35	—	7	14	6	42.5	42.5
AC40C-D	1/4, 3/8, 1/2	1/8	220.4	147.1	35.5	38.4	72.6	75	35.5	—	50	75.2	40	55	9	18	7	50	65
AC40C-06-D	3/4	1/8	235.4	149.1	35.5	38.4	77.6	75	35.5	—	50	80.2	40	55	9	18	7	50	65

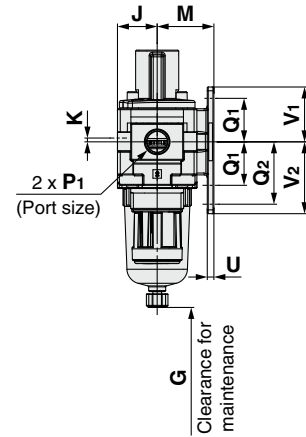
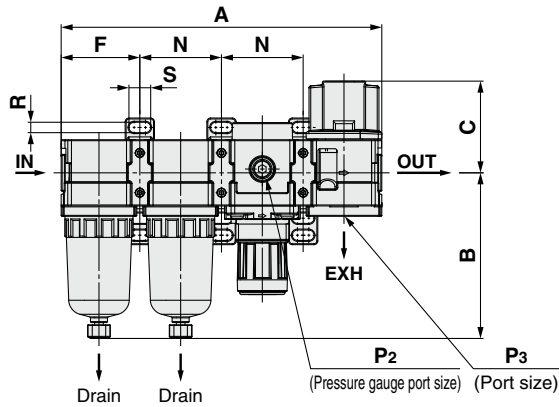
Model	Optional specifications											Semi-standard specifications					
	Square embedded type pressure gauge		Digital pressure switch		Round type pressure gauge		Round type pressure gauge (Semi-standard: Z)		Round type pressure gauge (with color zone)		With auto drain	PC/PA bowl		Metal bowl		Metal bowl with level gauge	
	H	J	H	J	H	J	H	J	H	J	B	With barb fitting	With drain guide	With drain cock	With drain guide	With drain cock	With drain guide
AC20C-D	□28	27	□27.8	37.5	∅37.5	57.5	∅37.5	58.5	∅37.5	58.5	104.9	—	91.4	87.4	93.9	—	—
AC30C-D	□28	32.5	□27.8	43	∅37.5	63	∅37.5	64	∅37.5	64	157.1	123.9	122.2	117.8	122.3	137.8	142.3
AC40C-D	□28	41.5	□27.8	52	∅42.5	73	∅42.5	73	∅42.5	73	186.9	155.6	153.9	149.5	154	169.5	174
AC40C-06-D	□28	41.5	□27.8	52	∅42.5	73	∅42.5	73	∅42.5	73	188.9	157.6	155.9	151.5	156	171.5	176

AC
AF + AR + AL
AW + AL
AF + AR
AF + AFM + AR
AW + AFM
Attachments
AF
AFM / AFD
AR
AL
AW

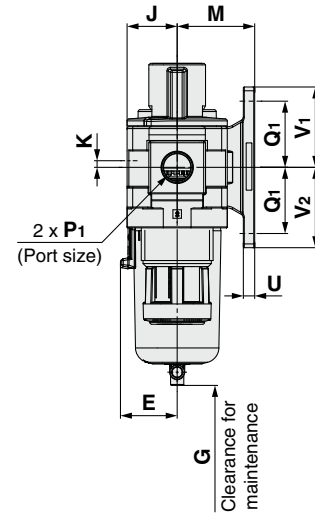
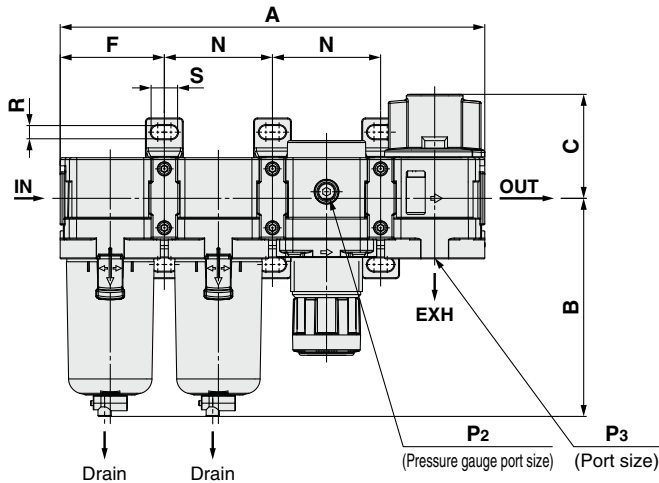
AC20C-D to AC40C-D Series

Dimensions: With Pressure Relief 3-Port Valve (V)

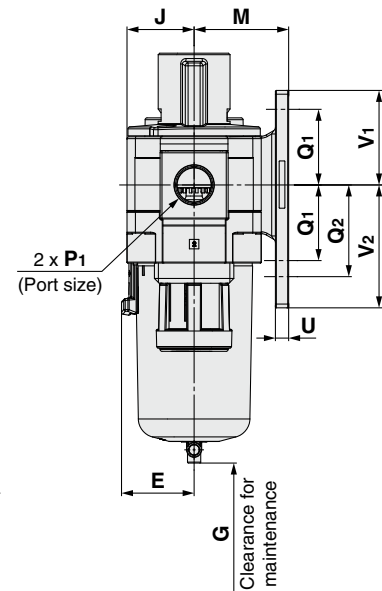
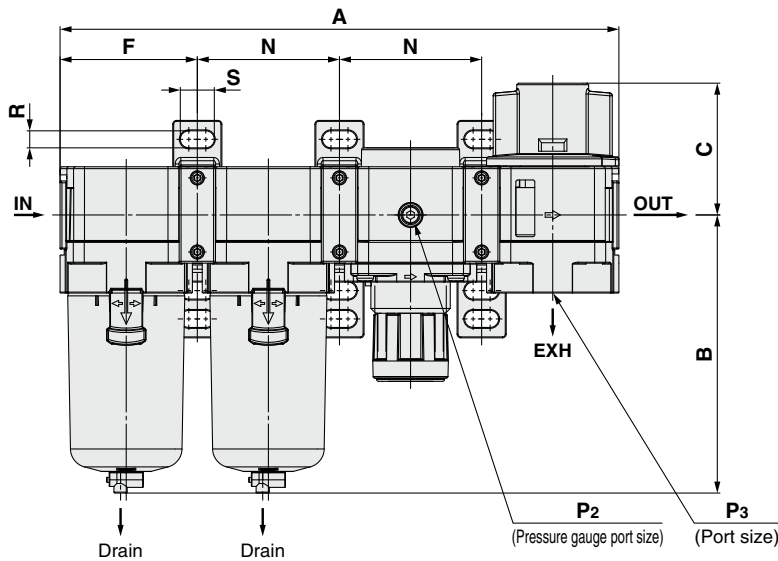
AC20C-V-D



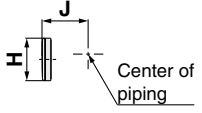
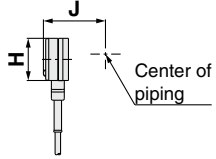
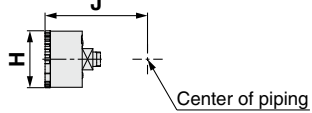
AC30C-V-D

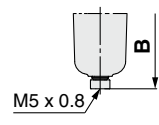
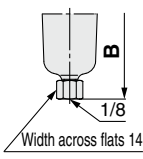
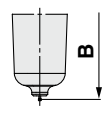
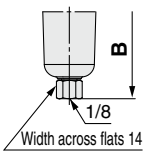
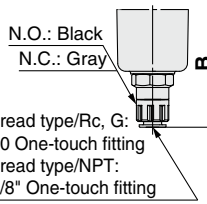
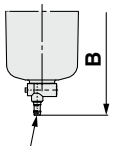
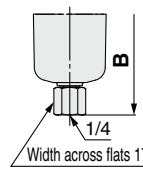
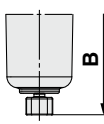
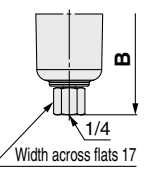
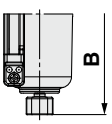
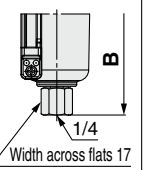


AC40C-V-D to AC40C-06-V-D



Air Combination **AC20C-D to AC40C-D Series**

Applicable model	Optional specifications			
	Square embedded type pressure gauge	Digital pressure switch	Round type pressure gauge	Round type pressure gauge (with color zone)
AC20C-V-D to AC40C-06-V-D				

Applicable model	Optional specifications	Semi-standard					
	With auto drain	PC/PA bowl		Metal bowl		Metal bowl with level gauge	
		Drain cock with barb fitting	With drain guide	With drain cock	With drain guide	With drain cock	With drain guide
AC20C-V-D							
AC30C-V-D to AC40C-06-V-D	<p>N.O.: Black N.C.: Gray</p> 						

Model	Standard specifications																			
												Bracket mount								
	P ₁	P ₂	P ₃	A	B	C	E	F	G	J	K	M	N	Q ₁	Q ₂	R	S	U	V ₁	V ₂
AC20C-V-D	1/8, 1/4	1/8	1/8	169.6	87.6	48.5	—	41.6	40	21	2	30	43.2	24	33	5.5	11.5	3.5	29	38
AC30C-V-D	1/4, 3/8	1/8	1/4	224.6	115.4	55	30	55.1	50	26.5	3.5	41	57.2	35	—	7	14	6	42.5	42.5
AC40C-V-D	1/4, 3/8, 1/2	1/8	3/8	295.6	147.1	69.7	38.4	72.6	75	35.5	—	50	75.2	40	55	9	18	7	50	65
AC40C-06-V-D	3/4	1/8	1/2	315.6	149.1	71.7	38.4	77.6	75	35.5	—	50	80.2	40	55	9	18	7	50	65

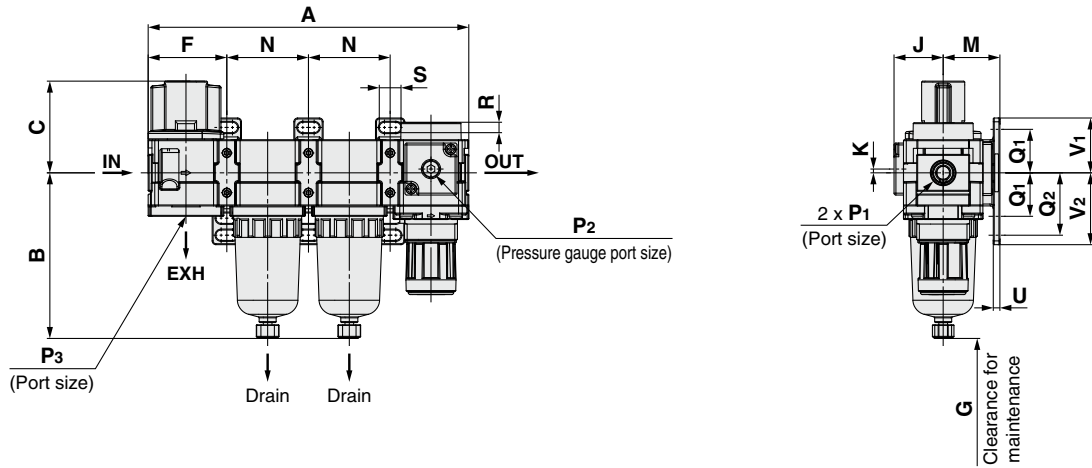
Model	Optional specifications											Semi-standard specifications					
	Square embedded type pressure gauge		Digital pressure switch		Round type pressure gauge		Round type pressure gauge (Semi-standard: Z)		Round type pressure gauge (with color zone)		With auto drain	PC/PA bowl		Metal bowl		Metal bowl with level gauge	
	H	J	H	J	H	J	H	J	H	J	B	With barb fitting	With drain guide	With drain cock	With drain guide	With drain cock	With drain guide
AC20C-V-D	□28	27	□27.8	37.5	ø37.5	57.5	ø37.5	58.5	ø37.5	58.5	104.9	—	91.4	87.4	93.9	—	—
AC30C-V-D	□28	32.5	□27.8	43	ø37.5	63	ø37.5	64	ø37.5	64	157.1	123.9	122.2	117.8	122.3	137.8	142.3
AC40C-V-D	□28	41.5	□27.8	52	ø42.5	73	ø42.5	73	ø42.5	73	186.9	155.6	153.9	149.5	154	169.5	174
AC40C-06-V-D	□28	41.5	□27.8	52	ø42.5	73	ø42.5	73	ø42.5	73	188.9	157.6	155.9	151.5	156	171.5	176

AC
AF + AR + AL
AW + AL
AF + AR
AF + AFM + AR
AW + AFM
Attachments
AF
AFM / AFD
AR
AL
AW

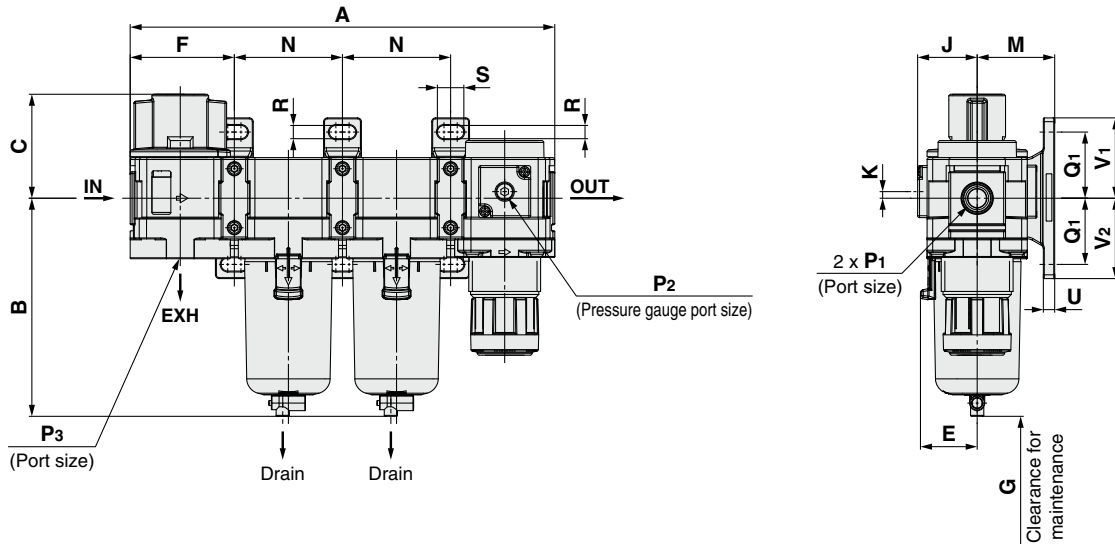
AC20C-D to AC40C-D Series

Dimensions: With Pressure Relief 3-Port Valve (V1)

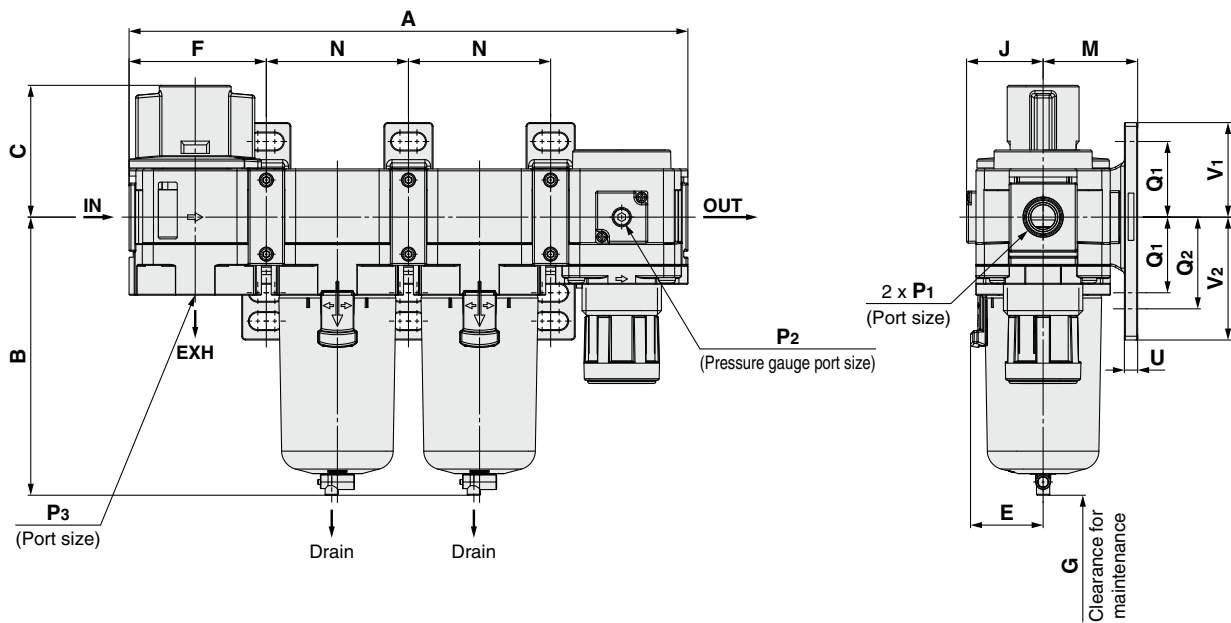
AC20C-V1-D



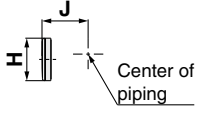
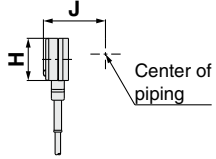
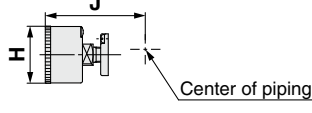
AC30C-V1-D

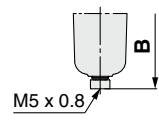
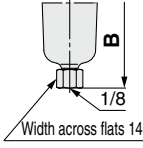
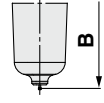
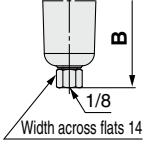
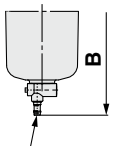
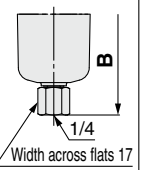
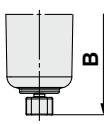
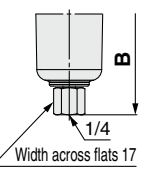
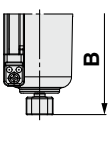
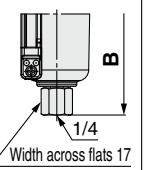


AC40C-V1-D to AC40C-06-V1-D



Air Combination **AC20C-D to AC40C-D Series**

Applicable model	Optional specifications			
	Square embedded type pressure gauge	Digital pressure switch	Round type pressure gauge	Round type pressure gauge (with color zone)
AC20C-V1-D to AC40C-06-V1-D				

Applicable model	Optional specifications	Semi-standard					
	With auto drain	PC/PA bowl		Metal bowl		Metal bowl with level gauge	
		Drain cock with barb fitting	With drain guide	With drain cock	With drain guide	With drain cock	With drain guide
AC20C-V1-D							
AC30C-V1-D to AC40C-06-V1-D	N.O.: Black N.C.: Gray Thread type/Rc, G: ø10 One-touch fitting Thread type/NPT: ø3/8" One-touch fitting						

Model	Standard specifications																			
												Bracket mount								
	P ₁	P ₂	P ₃	A	B	C	E	F	G	J	K	M	N	Q ₁	Q ₂	R	S	U	V ₁	V ₂
AC20C-V1-D	1/8, 1/4	1/8	1/8	169.6	87.6	48.5	—	41.6	40	26	2	30	43.2	24	33	5.5	11.5	3.5	29	38
AC30C-V1-D	1/4, 3/8	1/8	1/4	224.6	115.4	55	30	55.1	50	31.5	3.5	41	57.2	35	—	7	14	6	42.5	42.5
AC40C-V1-D	1/4, 3/8, 1/2	1/8	3/8	295.6	147.1	69.7	38.4	72.6	75	40.5	—	50	75.2	40	55	9	18	7	50	65
AC40C-06-V1-D	3/4	1/8	1/2	315.6	149.1	71.7	38.4	77.6	75	40.5	—	50	80.2	40	55	9	18	7	50	65

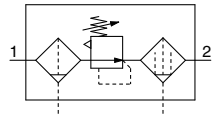
Model	Optional specifications											Semi-standard specifications							
	Square embedded type pressure gauge		Digital pressure switch		Round type pressure gauge		Round type pressure gauge (Semi-standard: Z)		Round type pressure gauge (with color zone)		With auto drain	PC/PA bowl		Metal bowl		Metal bowl with level gauge			
	H	J	H	J	H	J	H	J	H	J	B	With barb fitting	With drain guide	With drain cock	With drain guide	With drain cock	With drain guide		
AC20C-V1-D	□28	27	□27.8	37.5	ø37.5	62.5	ø37.5	63.5	ø37.5	63.5	104.9	—	91.4	87.4	93.9	—	—		
AC30C-V1-D	□28	32.5	□27.8	43	ø37.5	68	ø37.5	69	ø37.5	69	157.1	123.9	122.2	117.8	122.3	137.8	142.3		
AC40C-V1-D	□28	41.5	□27.8	52	ø42.5	78	ø42.5	78	ø42.5	78	186.9	155.6	153.9	149.5	154	169.5	174		
AC40C-06-V1-D	□28	41.5	□27.8	52	ø42.5	73	ø42.5	73	ø42.5	73	188.9	157.6	155.9	151.5	156	171.5	176		

AC
 AF + AR + AL
 AF + AR
 AW + AL
 AF + AFM + AR
 AW + AFM
 Attachments
 AF
 AFM / AFD
 AR
 AL
 AW

Filter Regulator + Mist Separator

AC20D-D to AC40D-D

Symbol



How to Order

AC **30** D - **03** DE - **01** - **01** - D

1
 2
 3
 4
 5
 6

· Option/Semi-standard: Select one each for a to i.
 · Option/Semi-standard symbol:
 When more than one specification is required, indicate in alphanumeric order.
 Example) AC30D-F03DE1-16NR-D

		Symbol	Description	①			
				Body size			
				20	30	40	
②	Pipe thread type	Nil	Rc	●	●	●	
		N* ¹	NPT	●	●	●	
		F* ²	G	●	●	●	
+							
③	Port size	01	1/8	●	—	—	
		02	1/4	●	●	●	
		03	3/8	—	●	●	
		04	1/2	—	—	●	
		06	3/4	—	—	●	
+							
④	a	Float type auto drain	Nil	Without auto drain	●	●	●
			C* ⁴	N.C. (Normally closed) Drain port is closed when pressure is not applied.	●	●	●
			D* ⁵	N.O. (Normally open) Drain port is open when pressure is not applied.	—	●	●
	+						
	b	Pressure gauge* ⁶	Nil	Without pressure gauge	●	●	●
			E	Square embedded type pressure gauge (with limit indicator)	●	●	●
			G	Round type pressure gauge (with limit indicator)	●	●	●
			M	Round type pressure gauge (with color zone)	●	●	●
		Digital pressure switch	E1	Output: NPN output, Electrical entry: Wiring bottom entry	●	●	●
			E2	Output: NPN output, Electrical entry: Wiring top entry	●	●	●
			E3	Output: PNP output, Electrical entry: Wiring bottom entry	●	●	●
	E4	Output: PNP output, Electrical entry: Wiring top entry	●	●	●		
+							
⑤	c	Pressure relief 3-port valve	Nil	Without attachment	●	●	●
			V	Mounting position: AW + AFM + V	●	●	●
			V1* ⁷	Mounting position: V + AW□K + AFM	●	●	●
+							
⑥	d	Set pressure* ⁸	Nil	0.05 to 0.85 MPa setting	●	●	●
			1	0.02 to 0.2 MPa setting	●	●	●
	+						
	e	Bowl* ⁹	Nil	Polycarbonate bowl	●	●	●
			2	Metal bowl	●	●	●
			6	Nylon bowl	●	●	●
			8	Metal bowl with level gauge	—	●	●
			C	With bowl guard	●	—* ¹⁰	—* ¹⁰
			6C	With bowl guard (Nylon bowl)	●	—* ¹¹	—* ¹¹
	+						
	f	Filter regulator Mist separator drain port* ¹²	Nil	With drain cock	●	●	●
			J* ¹³	Drain guide 1/8	●	—	—
Drain guide 1/4				—	●	●	
W* ¹⁴			Drain cock with barb fitting (for ø6 x ø4 nylon tube)	—	●	●	
+							
g	Exhaust mechanism	Nil	Relieving type	●	●	●	
		N	Non-relieving type	●	●	●	
+							
h	Flow direction	Nil	Flow direction: Left to right	●	●	●	
		R	Flow direction: Right to left	●	●	●	

Air Combination **AC20D-D to AC40D-D Series**



AC30D-D

	Symbol	Description	①		
			Body size		
			20	30	40
⑥	Semi-standard i	Unit	●	●	●
		Nil	○*17	○*17	○*17
		Z*15	△*18	△*18	△*18

- *1 Drain guide is NPT1/8 (applicable to the AC20D-D) and NPT1/4 (applicable to the AC30D-D to AC40D-D). The auto drain port comes with a $\phi 3/8$ " One-touch fitting (applicable to the AC30D-D to AC40D-D).
- *2 Drain guide is G1/8 (applicable to the AC20D-D) and G1/4 (applicable to the AC30D-D to AC40D-D).
- *3 Options G and M are not assembled and supplied loose at the time of shipment.
- *4 When pressure is not applied, condensate which does not start the auto drain mechanism will be left in the bowl. Releasing the residual condensate before ending operations for the day is recommended.
- *5 If the compressor is small (0.75 kW, discharge flow is less than 100 L/min (ANR)), air leakage from the drain cock may occur during the start of operations. N.C. type is recommended.
- *6 When the pressure gauge is attached, a 1.0 MPa pressure gauge will be fitted for standard (0.85 MPa) type. 0.4 MPa pressure gauge for 0.2 MPa type.
- *7 The filter regulator is equipped with a backflow function in this configuration. Additionally, when performing maintenance work, make sure that the outlet pressure is released to atmospheric pressure using a pressure gauge.
- *8 Pressure can be set higher than the specification pressure in some cases, but use pressure within the specification range.
- *9 Refer to chemical data on pages 75 and 109 for chemical resistance of the bowl.
- *10 A bowl guard is provided as standard equipment (polycarbonate).
- *11 A bowl guard is provided as standard equipment (nylon).
- *12 The combination of float type auto drain C and D is not available.
- *13 Without a valve function
- *14 The combination of metal bowl 2 and 8 is not available.
- *15 For the pipe thread type: NPT
This product is for overseas use only according to the New Measurement Act. (The SI unit type is provided for use in Japan.)
Cannot be used with M: Round type pressure gauge (with color zone). Available by request for special.
The digital pressure switch will be equipped with the unit selection function, setting to psi initially.
- *16 For options: E1, E2, E3, E4
This product is for overseas use only according to the New Measurement Act. (The SI unit is provided for use in Japan.)
- *17 ○: For the pipe thread type: NPT only
- *18 △: Select with options: E1, E2, E3, E4.

Standard Specifications

Model		AC20D-D	AC30D-D	AC40D-D	AC40D-06-D
Component	Filter Regulator [AW]	AW20-D	AW30-D	AW40-D	AW40-06-D
	Mist Separator [AFM]	AFM20-D	AFM30-D	AFM40-D	AFM40-06-D
Port size		1/8, 1/4	1/4, 3/8	1/4, 3/8, 1/2	3/4
Pressure gauge port size*1 [AW]		1/8			
Fluid		Air			
Ambient and fluid temperatures*2		-5 to 60°C (No freezing)			
Proof pressure		1.5 MPa			
Max. operating pressure		1.0 MPa			
Auto drain minimum operating pressure	N.C. [AW/AFM]	0.1 MPa	0.15 MPa		
	N.O. [AW/AFM]	—	0.1 MPa		
Set pressure range [AW]		0.05 to 0.85 MPa			
Max. flow capacity*3 [AFM]		200 L/min (ANR)	450 L/min (ANR)	1100 L/min (ANR)	
Nominal filtration rating*4	[AW]	5 μ m			
	[AFM]	0.3 μ m (99.9% filtered particle size)			
Outlet side oil mist concentration*5, *6 [AFM]		Max. 1.0 mg/m ³ (\approx 0.8 ppm)			
Compressed air purity class*7		ISO 8573-1:2010 [3 : 4 : 3]*8			
Drain capacity [AW/AFM]		8 cm ³	25 cm ³	45 cm ³	
Bowl material [AW/AFM]		Polycarbonate			
Bowl guard [AW/AFM]		Semi-standard (Steel)	Standard (Polycarbonate)		
Construction [AW]		Relieving type			
Weight		0.30 kg	0.58 kg	1.12 kg	1.21 kg

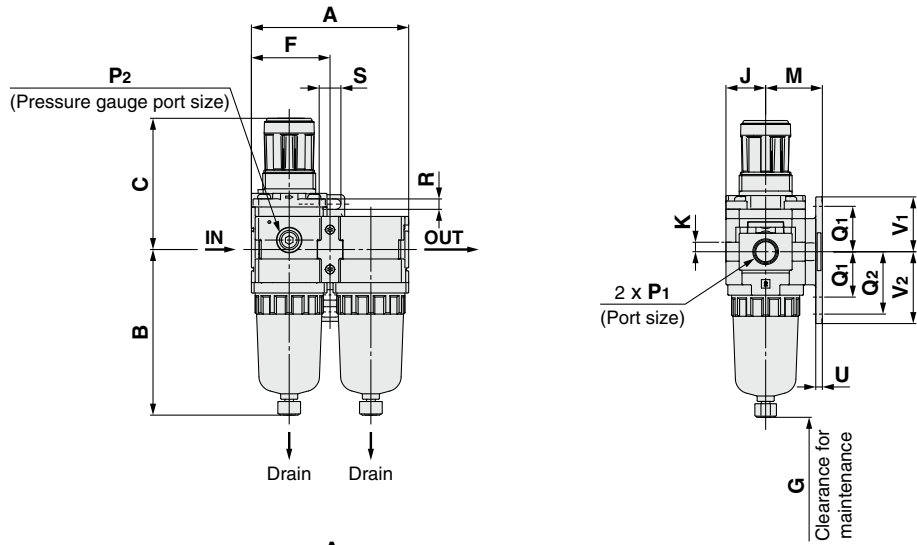
- *1 Pressure gauge connection threads are not available for F.R.L. unit with a square embedded type pressure gauge or with a digital pressure switch.
- *2 -5 to 50°C for the products with the digital pressure switch
- *3 Mist separator inlet pressure: 0.7 MPa. Flow at 20°C, atmospheric pressure, and 65% of the relative humidity
The maximum flow capacity varies depending on the inlet pressure.
Keep the air flow within the maximum flow capacity to prevent an outflow of lubricant to the outlet side.
- *4 For the following conditions in accordance with [Test condition: ISO 8573-4:2001, Test method ISO 12500-3:2009 compliant] in addition to the conditions above
Conditions: When a new element is used, and the flow capacity, inlet pressure, and the amount of solid bodies on the filter inlet side are stable
- *5 The outlet side oil mist concentration for the following conditions in accordance with [Test condition: ISO 8573-2:2007, Test method ISO 12500-1:2007 compliant] in addition to the conditions above
Conditions: When a new element is used, the oil mist concentration on the filter inlet side is 10 mg/m³, and the flow capacity, inlet pressure, and the oil mist concentration on the filter inlet side are stable
- *6 The bowl seal and other O-rings are slightly lubricated.
- *7 The compressed air purity class is indicated based on ISO 8573-1:2010 Compressed air – Part 1: Contaminants and purity classes.
For details on this standard, refer to page 110.
- *8 The compressed air quality class on the inlet side is [7 : 4 : 4].

AC
 AF + AR + AL
 AF + AL
 AW + AL
 AW + AR
 AF + AR
 AF + AR
 AF + AFM + AR
 AF + AFM
 AW + AFM
 Attachments
 AF
 AFM / AFD
 AR
 AL
 AW

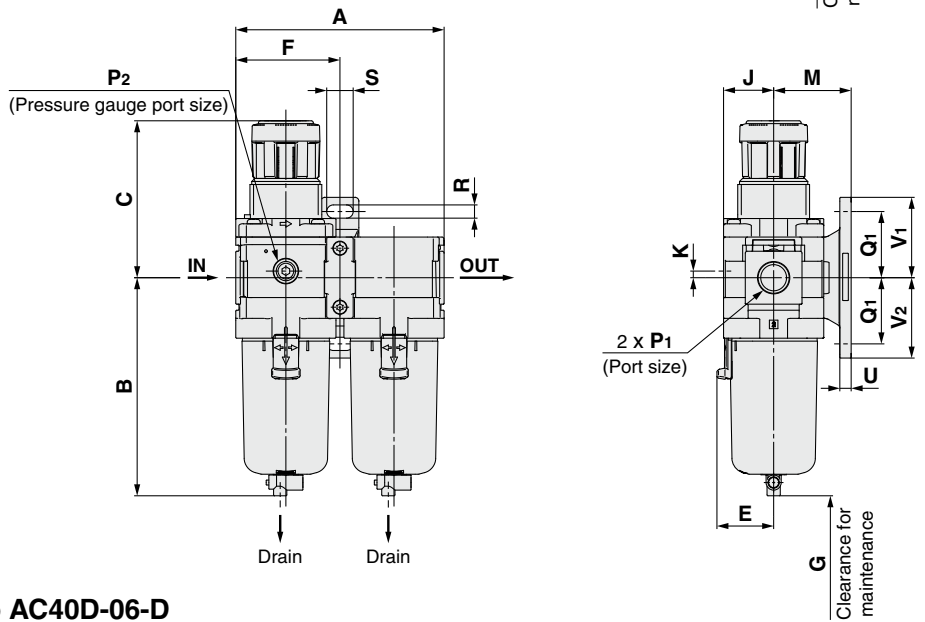
AC20D-D to AC40D-D Series

Dimensions

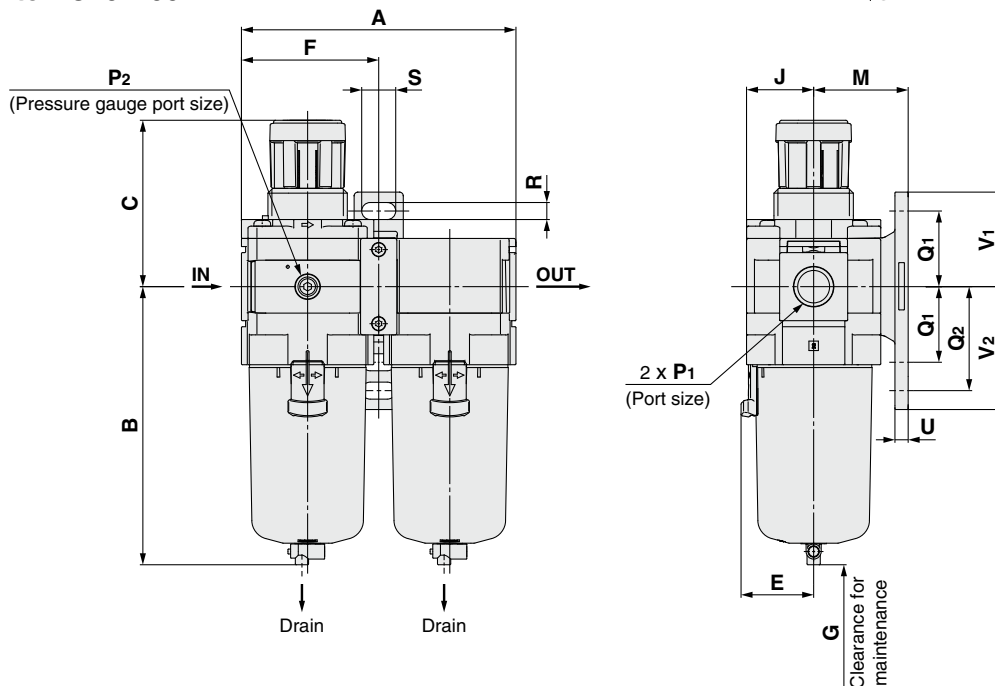
AC20D-D



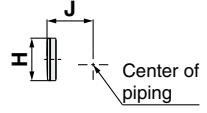
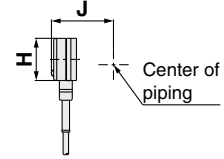
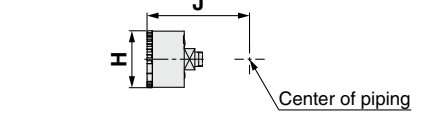
AC30D-D

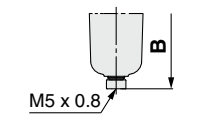
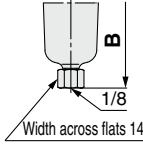
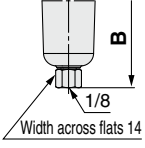
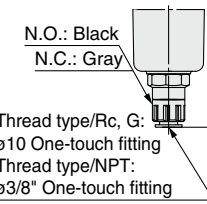
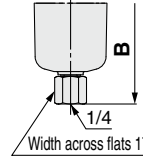
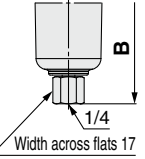
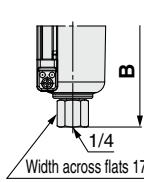


AC40D-D to AC40D-06-D



Air Combination **AC20D-D to AC40D-D Series**

Applicable model	Optional specifications			
	Square embedded type pressure gauge	Digital pressure switch	Round type pressure gauge	Round type pressure gauge (with color zone)
AC20D-D to AC40D-06-D				

Applicable model	Optional specifications	Semi-standard						
	With auto drain	PC/PA bowl		Metal bowl		Metal bowl with level gauge		
		Drain cock with barb fitting	With drain guide	With drain cock	With drain guide	With drain cock	With drain guide	
AC20D-D								
AC30D-D to AC40D-06-D	N.O.: Black N.C.: Gray Thread type/Rc, G: ø10 One-touch fitting Thread type/NPT: ø3/8" One-touch fitting							

Model	Standard specifications																							
	P ₁	P ₂	A	B	C	E	F	G	J	K	Bracket mount						M	Q ₁	Q ₂	R	S	U	V ₁	V ₂
AC20D-D	1/8, 1/4	1/8	83.2	87.6	71.8	—	41.6	40	21	5	30	24	33	5.5	11.5	3.5	29	38						
AC30D-D	1/4, 3/8	1/8	110.2	115.3	86.5	30	55.1	55	26.5	3.5	41	35	—	7	14	6	42.5	42.5						
AC40D-D	1/4, 3/8, 1/2	1/8	145.2	147.1	91.5	38.4	72.6	80	35.5	—	50	40	55	9	18	7	50	65						
AC40D-06-D	3/4	1/8	155.2	149.1	93	38.4	77.6	80	35.5	—	50	40	55	9	18	7	50	65						

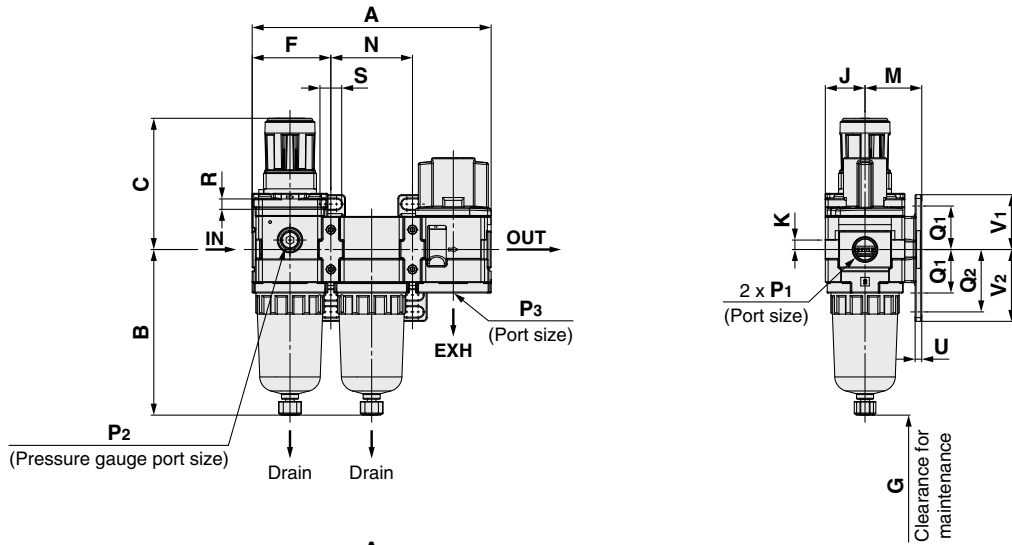
Model	Optional specifications											Semi-standard specifications					
	Square embedded type pressure gauge		Digital pressure switch		Round type pressure gauge		Round type pressure gauge (Semi-standard: Z)		Round type pressure gauge (with color zone)		With auto drain	PC/PA bowl		Metal bowl		Metal bowl with level gauge	
	H	J	H	J	H	J	H	J	H	J	B	With barb fitting	With drain guide	With drain cock	With drain guide	With drain cock	With drain guide
AC20D-D	□28	27	□27.8	37.5	ø37.5	57.5	ø37.5	58.5	ø37.5	58.5	104.9	—	91.4	87.4	93.9	—	—
AC30D-D	□28	32.5	□27.8	43	ø37.5	63	ø37.5	64	ø37.5	64	157.1	123.9	122.2	117.8	122.3	137.8	142.3
AC40D-D	□28	41.5	□27.8	52	ø42.5	73	ø42.5	73	ø42.5	73	186.9	155.6	153.9	149.5	154	169.5	174
AC40D-06-D	□28	41.5	□27.8	52	ø42.5	73	ø42.5	73	ø42.5	73	188.9	157.6	155.9	151.5	156	171.5	176

AC
AF + AR + AL
AW + AL
AF + AR
AF + AFM + AR
AW + AFM
Attachments
AF
AFM / AFD
AR
AL
AW

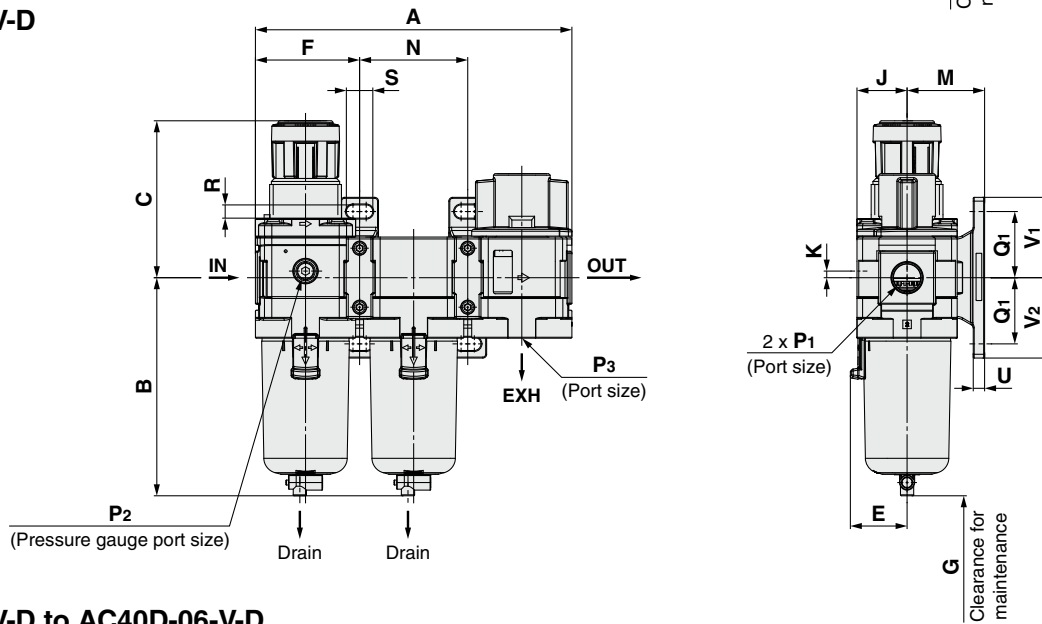
AC20D-D to AC40D-D Series

Dimensions: With Pressure Relief 3-Port Valve (V)

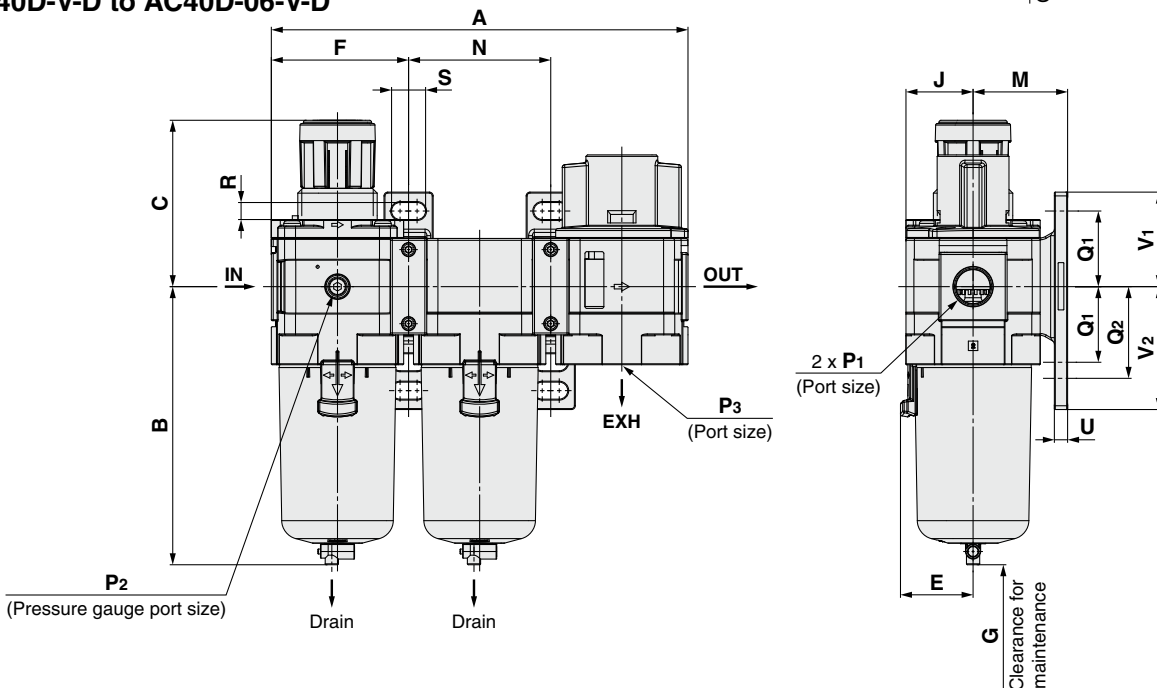
AC20D-V-D



AC30D-V-D



AC40D-V-D to AC40D-06-V-D



Air Combination **AC20D-D to AC40D-D Series**

Applicable model	Optional specifications			
	Square embedded type pressure gauge	Digital pressure switch	Round type pressure gauge	Round type pressure gauge (with color zone)
AC20D-V-D to AC40D-06-V-D				

Applicable model	Optional specifications	Semi-standard					
	With auto drain	PC/PA bowl		Metal bowl		Metal bowl with level gauge	
		Drain cock with barb fitting	With drain guide	With drain cock	With drain guide	With drain cock	With drain guide
AC20D-V-D							
AC30D-V-D to AC40D-06-V-D	N.O.: Black N.C.: Gray Thread type/Rc, G: $\phi 10$ One-touch fitting Thread type/NPT: $\phi 3/8$ " One-touch fitting						

Model	Standard specifications																			
												Bracket mount								
	P ₁	P ₂	P ₃	A	B	C	E	F	G	J	K	M	N	Q ₁	Q ₂	R	S	U	V ₁	V ₂
AC20D-V-D	1/8, 1/4	1/8	1/8	126.4	87.6	71.8	—	41.6	40	21	5	30	43.2	24	33	5.5	11.5	3.5	29	38
AC30D-V-D	1/4, 3/8	1/8	1/4	167.4	115.3	86.5	30	55.1	55	26.5	3.5	41	57.2	35	—	7	14	6	42.5	42.5
AC40D-V-D	1/4, 3/8, 1/2	1/8	3/8	220.4	147.1	91.5	38.4	72.6	80	35.5	—	50	75.2	40	55	9	18	7	50	65
AC40D-06-V-D	3/4	1/8	1/2	235.4	149.1	93	38.4	77.6	80	35.5	—	50	80.2	40	55	9	18	7	50	65

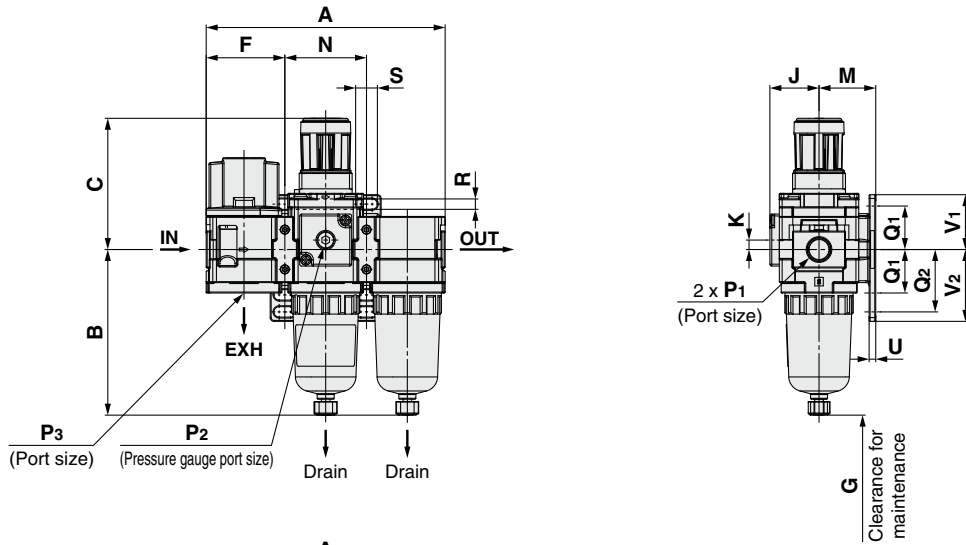
Model	Optional specifications											Semi-standard specifications					
	Square embedded type pressure gauge		Digital pressure switch		Round type pressure gauge		Round type pressure gauge (Semi-standard: Z)		Round type pressure gauge (with color zone)		With auto drain	PC/PA bowl		Metal bowl		Metal bowl with level gauge	
	H	J	H	J	H	J	H	J	H	J	B	With barb fitting	With drain guide	With drain cock	With drain guide	With drain cock	With drain guide
AC20D-V-D	□28	27	□27.8	37.5	∅37.5	57.5	∅37.5	58.5	∅37.5	58.5	104.9	—	91.4	87.4	93.9	—	—
AC30D-V-D	□28	32.5	□27.8	43	∅37.5	63	∅37.5	64	∅37.5	64	157.1	123.9	122.2	117.8	122.3	137.8	142.3
AC40D-V-D	□28	41.5	□27.8	52	∅42.5	73	∅42.5	73	∅42.5	73	186.9	155.6	153.9	149.5	154	169.5	174
AC40D-06-V-D	□28	41.5	□27.8	52	∅42.5	73	∅42.5	73	∅42.5	73	188.9	157.6	155.9	151.5	156	171.5	176

AC
 AF + AR + AL
 AF + AR
 AW + AL
 AF + AFM + AR
 AF + AFM
 AW + AFM
 Attachments
 AF
 AFM / AFD
 AR
 AL
 AW

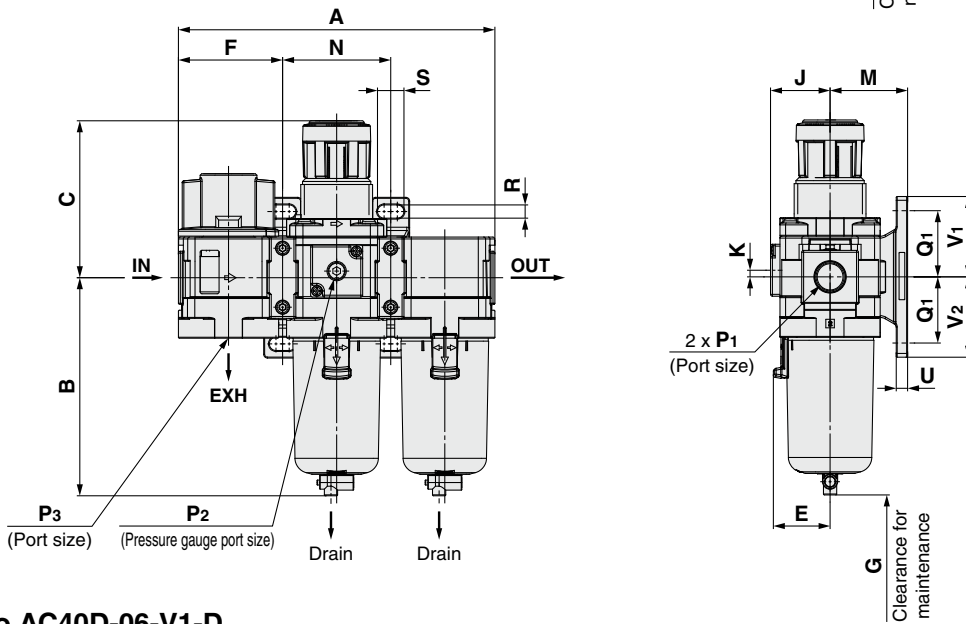
AC20D-D to AC40D-D Series

Dimensions: With Pressure Relief 3-Port Valve (V1)

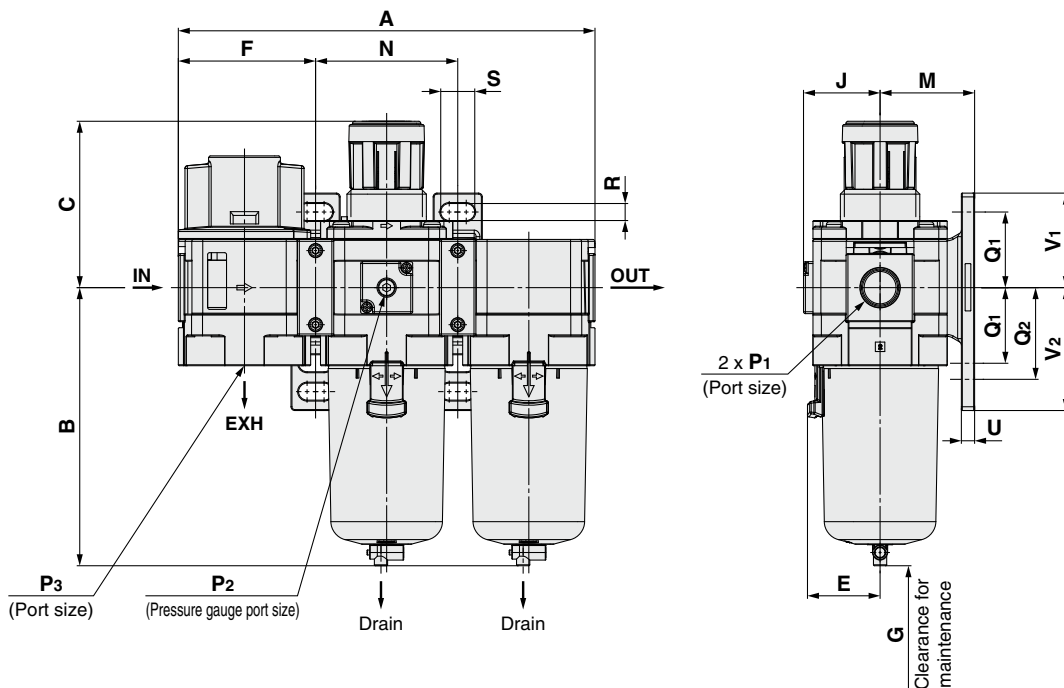
AC20D-V1-D



AC30D-V1-D



AC40D-V1-D to AC40D-06-V1-D



Air Combination **AC20D-D to AC40D-D Series**

Applicable model	Optional specifications			
	Square embedded type pressure gauge	Digital pressure switch	Round type pressure gauge	Round type pressure gauge (with color zone)
AC20D-V1-D to AC40D-06-V1-D				

Applicable model	Optional specifications	Semi-standard					
	With auto drain	PC/PA bowl		Metal bowl		Metal bowl with level gauge	
		Drain cock with barb fitting	With drain guide	With drain cock	With drain guide	With drain cock	With drain guide
AC20D-V1-D							
AC30D-V1-D to AC40D-06-V1-D	N.O.: Black N.C.: Gray Thread type/Rc, G: ø10 One-touch fitting Thread type/NPT: ø3/8" One-touch fitting						

Model	Standard specifications																			
												Bracket mount								
	P ₁	P ₂	P ₃	A	B	C	E	F	G	J	K	M	N	Q ₁	Q ₂	R	S	U	V ₁	V ₂
AC20D-V1-D	1/8, 1/4	1/8	1/8	126.4	87.6	71.8	—	41.6	40	26	5	30	43.2	24	33	5.5	11.5	3.5	29	38
AC30D-V1-D	1/4, 3/8	1/8	1/4	167.4	115.3	86.5	30	55.1	55	31.5	3.5	41	57.2	35	—	7	14	6	42.5	42.5
AC40D-V1-D	1/4, 3/8, 1/2	1/8	3/8	220.4	147.1	91.5	38.4	72.6	80	40.5	—	50	75.2	40	55	9	18	7	50	65
AC40D-06-V1-D	3/4	1/8	1/2	235.4	149.1	93	38.4	77.6	80	40.5	—	50	80.2	40	55	9	18	7	50	65

Model	Optional specifications											Semi-standard specifications						
	Square embedded type pressure gauge		Digital pressure switch		Round type pressure gauge		Round type pressure gauge (Semi-standard: Z)		Round type pressure gauge (with color zone)		With auto drain	PC/PA bowl		Metal bowl		Metal bowl with level gauge		
	H	J	H	J	H	J	H	J	H	J	B	With barb fitting	With drain guide	With drain cock	With drain guide	With drain cock	With drain guide	
AC20D-V1-D	□28	27	□27.8	37.5	ø37.5	62.5	ø37.5	63.5	ø37.5	63.5	104.9	—	91.4	87.4	93.9	—	—	
AC30D-V1-D	□28	32.5	□27.8	43	ø37.5	68	ø37.5	69	ø37.5	69	157.1	123.9	122.2	117.8	122.3	137.8	142.3	
AC40D-V1-D	□28	41.5	□27.8	52	ø42.5	78	ø42.5	78	ø42.5	78	186.9	155.6	153.9	149.5	154	169.5	174	
AC40D-06-V1-D	□28	41.5	□27.8	52	ø42.5	73	ø42.5	73	ø42.5	73	188.9	157.6	155.9	151.5	156	171.5	176	

AC
 AF + AR + AL
 AF + AR
 AW + AL
 AF + AFM + AR
 AF + AFM
 AW + AFM
 Attachments
 AF
 AFM / AFD
 AR
 AL
 AW

AC-D Series

Option / Accessory / Attachment

Part No. List

Section	Description		Model	Part no.					
				For AC20-D	For AC30-D	For AC40-D	For AC40-06-D	For AC50-D	For AC60-D
				For AC20A-D	For AC30A-D	For AC40A-D	For AC40A-06-D	For AC50A-D	For AC60A-D
				For AC20B-D	For AC30B-D	For AC40B-D	For AC40B-06-D	For AC50B-D	For AC60B-D
				For AC20C-D	For AC30C-D	For AC40C-D	For AC40C-06-D	—	—
For AC20D-D	For AC30D-D	For AC40D-D	For AC40D-06-D	—	—				
Option	*1 Pressure gauge	Round type	Standard	G36-10-□01		G46-10-□01			
			0.02 to 0.2 MPa setting	G36-4-□01		G46-4-□01			
		Round type (with color zone)	Standard	G36-10-□01-L		G46-10-□01-L			
			0.02 to 0.2 MPa setting	G36-4-□01-L		G46-4-□01-L			
	Square embedded type*2	Standard	GC3-10AS-D [136150A (Pressure gauge cover only)]						
		0.02 to 0.2 MPa setting	GC3-4AS-D [136150A (Pressure gauge cover only)]						
	Digital pressure switch	NPN output, Wiring bottom entry	ISE35-N-25-MLA-X523 [ISE35-N-25-M (Switch body only)]*3						
		NPN output, Wiring top entry	ISE35-R-25-MLA-X523 [ISE35-R-25-M (Switch body only)]*3						
		PNP output, Wiring bottom entry	ISE35-N-65-MLA-X523 [ISE35-N-65-M (Switch body only)]*3						
		PNP output, Wiring top entry	ISE35-R-65-MLA-X523 [ISE35-R-65-M (Switch body only)]*3						
	Float type auto drain*4	N.C.	AD27-D	AD37-D	AD47-D				
		N.O.	—	AD38-D	AD48-D				
Accessory	Spacer	p. 48	Y200-D	Y300-D	Y400-D	Y500-D	Y600-D		
	Spacer with bracket	p. 48	Y200T-D	Y300T-D	Y400T-D	Y500T-D	Y600T-D		
Attachment	Pressure relief 3-port valve*5, *6	p. 49	VHS20-□01-D	VHS30-□02-D	VHS40-□02-D	VHS40-□06-D	VHS50-□06-D	—	
			VHS20-□02-D	VHS30-□03-D	VHS40-□03-D		VHS40-□04-D	VHS50-□10-D	
	Piping adapter*5, *6	p. 50	E200-□01-D	E300-□02-D	E400-□02-D	—	—	—	
			E200-□02-D	E300-□03-D	E400-□03-D				
			E200-□03-D	E300-□04-D	E400-□04-D				
	L-shaped piping adapter*5, *6	p. 51	E200L-□01-D	E300L-□01-D	E400L-□02-D	—	—	—	
			E200L-□02-D	E300L-□02-D	E400L-□03-D				
			E200L-□03-D	E300L-□03-D	E400L-□04-D				
	T-spacer*5, *6	p. 52	Standard	Y210-□01-D	Y310-□01-D	Y410-□02-D	—	—	
			Y210-□02-D	Y310-□02-D	Y410-□03-D				
	Slim type	p. 52	Y210-□01-1-D	Y310-□01-1-D	Y410-□02-1-D	—	—		
			Y210-□02-1-D	Y310-□02-1-D	Y410-□03-1-D				
	Cross spacer*5, *6	p. 53	Standard	Y24-□01-D	Y34-□01-D	Y44-□02-D	—	—	
			Y24-□02-D	Y34-□02-D	Y44-□03-D				
Front and back port selectable type	p. 53	Y24-□01-1-D	Y34-□01-1-D	Y44-□02-1-D	—	—			
		Y24-□02-1-D	Y34-□02-1-D	Y44-□03-1-D					
Pressure switch*6	p. 54	Standard	IS10M-20-D	IS10M-30-D	IS10M-40-D	—	—		
		Slim type	IS10M-20-1-D	IS10M-30-1-D	IS10M-40-1-D				
Pressure switch with T-spacer*5, *6	p. 55	IS10T-20-□01-D	IS10T-30-□01-D	IS10T-40-□02-D	—	—			
		IS10T-20-□02-D	IS10T-30-□02-D	IS10T-40-□03-D					
IS10T-30-□03-D	p. 55	IS10T-30-□03-D	IS10T-40-□04-D	IS10T-40-□04-D					
		IS10L-20-□01-D	IS10L-30-□01-D	IS10L-40-□02-D	—	—			
Pressure switch with L-shaped piping adapter*5, *6	p. 56	IS10L-20-□02-D	IS10L-30-□02-D	IS10L-40-□03-D					
		IS10L-20-□03-D	IS10L-30-□03-D	IS10L-40-□04-D					
Pressure switch with piping adapter*5, *6	p. 57	IS10E-20-□01-D	IS10E-30-□02-D	IS10E-40-□02-D	—	—			
		IS10E-20-□02-D	IS10E-30-□03-D	IS10E-40-□03-D					
IS10E-20-□03-D	p. 57	IS10E-20-□03-D	IS10E-30-□04-D	IS10E-40-□04-D					
		IS10E-40-□06-D	IS10E-40-□06-D	IS10E-40-□06-D					

*1 □ in part numbers for a round type pressure gauge indicates a pipe thread type. No indication is necessary for R; however, indicate N for NPT. Please contact SMC regarding the connection thread NPT and pressure gauge supply for psi unit specifications.

*2 Including one O-ring and 2 mounting screws

*3 Lead wire with connector (2 m), adapter, lock pin, O-ring (1 pc.), mounting screws (2 pcs.) are attached. []: Switch body only
Regarding how to order the digital pressure switch, refer to the **Web Catalog**.

*4 Minimum operating pressure: N.O. type—0.1 MPa; N.C. type—0.1 MPa (AD27-D) and 0.15 MPa (AD37-D/AD47-D). Please contact SMC separately for psi and °F unit display specifications.

*5 □ in attachment part numbers indicates a pipe thread type. No indication is necessary for Rc thread; however, indicate N for NPT thread, and F for G thread.

*6 Separate spacers are required for modular units.

AC-D Series

Accessories (Spacer / Spacer with Bracket)

Spacer / Spacer with Bracket

Y 300 - D

① ②

Spacer
(Y□-D)

Spacer with bracket
(Y□T-D)



		Symbol	Description	①				
				Body size [Applicable AC size]				
			200 [AC20]	300 [AC30]	400 [AC40]	500 [AC40-06]	600 [AC50/AC60]	
②	Bracket	Nil	Spacer	●	●	●	●	●
		T	Spacer with bracket	●	●	●	●	●

Standard Specifications

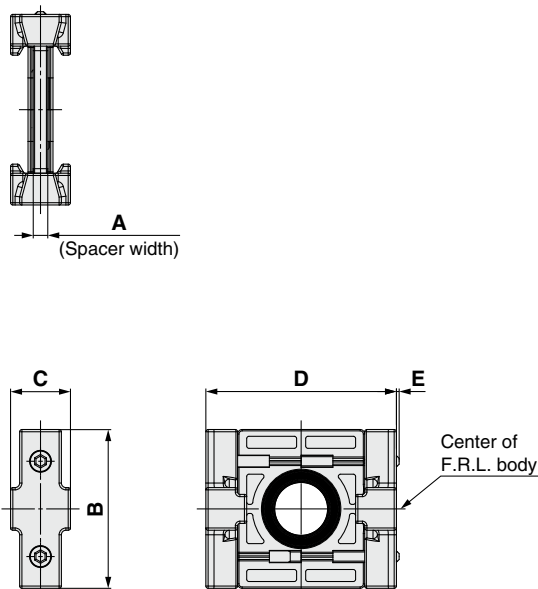
Fluid	Air
Ambient and fluid temperatures	-5 to 60°C (No freezing)
Proof pressure	1.5 MPa
Max. operating pressure	1.0 MPa

Replacement Parts

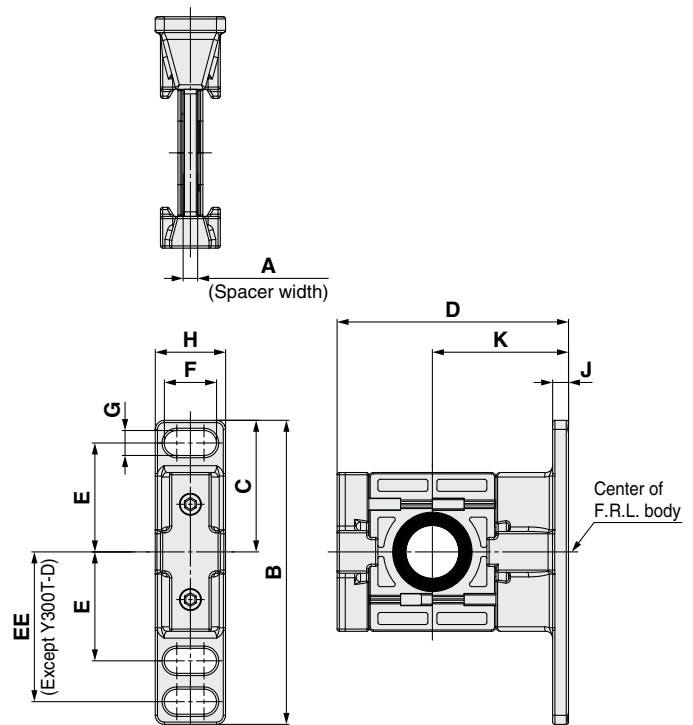
Description	Material	Part no.				
		Y200-D Y200T-D	Y300-D Y300T-D	Y400-D Y400T-D	Y500-D Y500T-D	Y600-D Y600T-D
Seal	HNBR	Y220P-050S	Y320P-050S	Y420P-050S	Y520P-050S	Y620P-050S

Dimensions

Spacer



Spacer with bracket



Model	A	B	C	D	E	Applicable size
Y200-D	3.2	35	13.2	42	0.6	AC20-D
Y300-D	4.2	43	16.2	53	—	AC30-D
Y400-D	5.2	51	19.2	71	—	AC40-D
Y500-D	5.2	54	21.2	71	—	AC40-06-D
Y600-D	6.2	64	27.2	90	—	AC50-D AC60-D

Model	A	B	C	D	E	EE	F	G	H	J	K	Applicable size
Y200T-D	3.2	67	29	51	24	33	11.5	5.5	15.5	3.5	30	AC20-D
Y300T-D	4.2	85	42.5	67.5	35	—	14	7	20	6	41	AC30-D
Y400T-D	5.2	115	50	85.5	40	55	18	9	26	7	50	AC40-D
Y500T-D	5.2	115	50	85.5	40	55	18	9	26	7	50	AC40-06-D
Y600T-D	6.2	140	60	115	50	70	20	11	31.2	8	70	AC50-D AC60-D

AC
 AF + AR + AL
 AF + AR
 AF + AR
 AF + AFM + AR
 AF + AFM
 AW + AFM
 Attachments
 AF
 AFM / AFD
 AR
 AL
 AW

AC-D Series Attachments

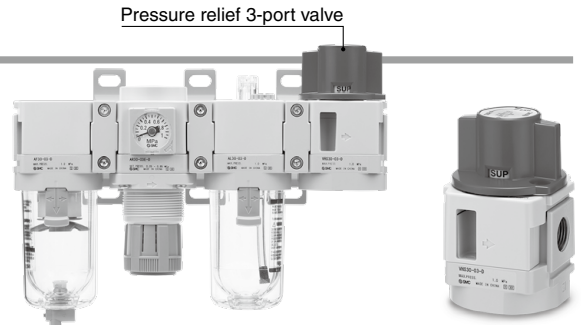
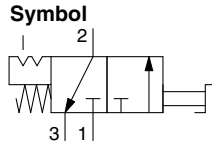
Pressure Relief 3-Port Valve: (V, V1)

· By using a pressure relief 3-port valve, pressure left in the line can be easily exhausted.

VHS 30 - 03 - D

① ② ③ ④

· Semi-standard: Select one each for a and b.
 · Semi-standard symbol: When more than one specification is required, indicate in alphanumeric order.
 Example) VHS30-N03-RZ-D



		Symbol	Description	① Body size [Applicable AC size]					
				20 [AC20]	30 [AC30]	40 [AC40]	40 [AC40-06]	50 [AC50/AC60]*4	
②	Pipe thread type	Nil	Rc*1	●	●	●	●	●	
		N	NPT	●	●	●	●	●	
		F	G	●	●	●	●	●	
③	Port size	01	1/8	●	—	—	—	—	
		02	1/4	●	●	—	—		
		03	3/8	—	●	●	—	—	
		04	1/2	—	—	●	—	—	
		06	3/4	—	—	—	●	●	
		10	1	—	—	—	—	●	
④	a	Flow direction	Nil	Flow direction: Left to right	●	●	●	●	●
		R	Flow direction: Right to left	●	●	●	●	●	
	b	Unit	Nil	Unit on product label: MPa	●	●	●	●	●
			Z*2	Unit on product label: psi	○*3	○*3	○*3	○*3	○*3

*1 The pipe thread type for the EXH port is G.
 *2 For the pipe thread type: NPT only. This product is for overseas use only according to the New Measurement Act. (The SI unit type is provided for use in Japan.)
 *3 ○: For the pipe thread type: NPT only
 *4 The VHS50 can be connected to the AC60.

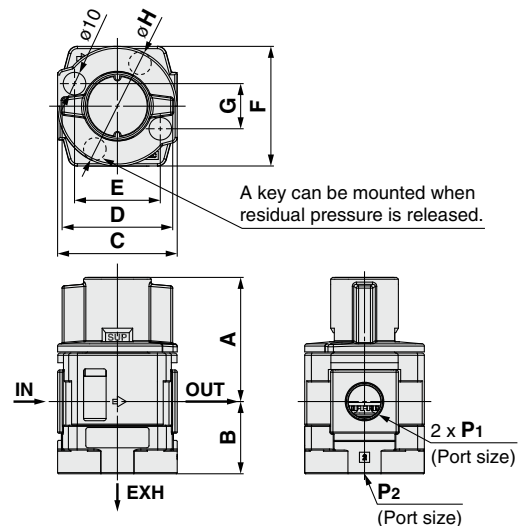
Standard Specifications

Fluid	Air
Ambient and fluid temperatures	-5 to 60°C (No freezing)
Proof pressure	1.5 MPa
Max. operating pressure	1.0 MPa

Flow Rate Characteristics

Model	Port size		Flow rate characteristics					
	IN, OUT	EXH	IN → OUT			OUT → EXH		
			C (dm³/s-bar)	b	Cv	C (dm³/s-bar)	b	Cv
VHS20	1/8	1/8	4.0	0.41	1.1	3.7	0.42	1.1
	1/4		5.8	0.31	1.4	3.8	0.42	1.1
VHS30	1/4	1/4	8.8	0.44	2.4	8.0	0.46	2.3
	3/8		14.1	0.28	3.5	7.8	0.46	2.2
VHS40	1/4	3/8	9.5	0.49	2.8	13.3	0.47	3.6
	3/8		17.2	0.47	4.8	13.6	0.47	3.7
	1/2		26.7	0.29	6.3	13.4	0.43	3.7
VHS40-06	3/4	1/2	34.0	0.22	7.6	16.1	0.41	4.4
VHS50	3/4	1/2	45.0	0.26	10.6	23.0	0.49	6.4
	1		53.3	0.36	13.5	22.8	0.49	6.3

Dimensions



Model	P1	P2	A	B	C	D	Applicable size
VHS20-D	1/8, 1/4	1/8	48.5	23	40	37	AC20-D
VHS30-D	1/4, 3/8	1/4	55	32	53	49	AC30-D
VHS40-D	1/4, 3/8, 1/2	3/8	69.7	41.3	70	63	AC40-D
VHS40-06-D	3/4	1/2	71.7	43.3	75	63	AC40-06-D
VHS50-D	3/4, 1	1/2	86.5	44.5	90	80	AC50-D/AC60-D

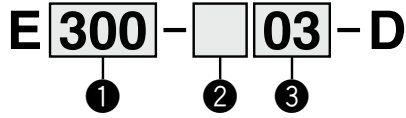
Model	E	F	G	H	Applicable size
VHS20-D	28	42	17.5	40	AC20-D
VHS30-D	38	53	20	53	AC30-D
VHS40-D	52	71	29	70	AC40-D
VHS40-06-D	52	71	29	70	AC40-06-D
VHS50-D	72	90	33	90	AC50-D/AC60-D

Caution on Mounting

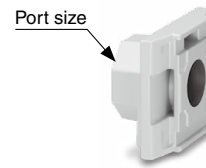
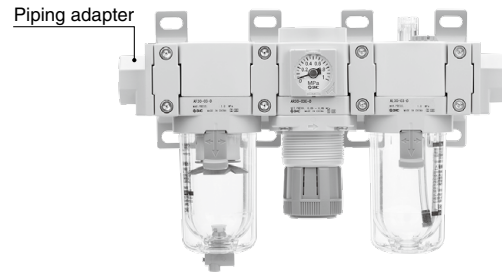
- Use an air filter on the inlet side for operating protection.
- When mounting a silencer, etc., on the EXH port, refer to the operation manual.

Piping Adapter: 1/8, 1/4, 3/8, 1/2, 3/4

· Using on the inlet side or the outlet side of F.R.L. units makes it easier to perform maintenance, as the component can be installed/removed without removing the piping.



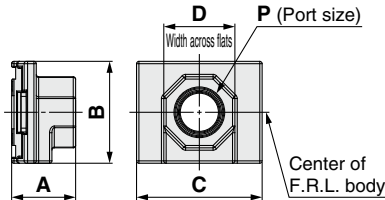
	Symbol	Description	①		
			Body size [Applicable AC size]		
			200 [AC20]	300 [AC30]	400 [AC40]
② Pipe thread type	Nil	Rc	●	●	●
	N	NPT	●	●	●
	F	G	●	●	●
+					
③ Port size	01	1/8	●	—	—
	02	1/4	●	●	●
	03	3/8	●	●	●
	04	1/2	—	●	●
	06	3/4	—	—	●



Standard Specifications

Fluid	Air
Ambient and fluid temperatures	-5 to 60°C (No freezing)
Proof pressure	1.5 MPa
Max. operating pressure	1.0 MPa

Dimensions



Model	P	A	B	C	D	Applicable AC size
E200-D	1/8, 1/4, 3/8	24	35	42	24	AC20-D
E300-D	1/4, 3/8, 1/2	27	43	53	30	AC30-D
E400-D	1/4, 3/8, 1/2, 3/4	30	51	71	36	AC40-D

Caution on Mounting

Pipe threads are not provided on the face which connects with the other components. For use, a separate spacer (or spacer with bracket) is required.

- AC
- AF + AR + AL
- AF + AL
- AW + AL
- AF + AR
- AF + AFM + AR
- AW + AFM
- Attachments
- AF
- AFM / AFD
- AR
- AL
- AW

AC-D Series

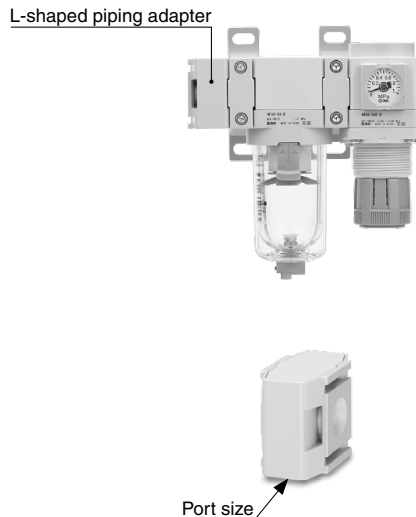
L-Shaped Piping Adapter: 1/8, 1/4, 3/8, 1/2

- Upward/downward piping is possible on the inlet side and the outlet side of F.R.L. units.
- Ideal for space-saving and reducing piping labor
- Using on the inlet side or the outlet side of F.R.L. units makes it easier to perform maintenance, as the component can be installed/ removed without removing the piping.

E **300** **L** - **□** **03** - **D**

①
②
③

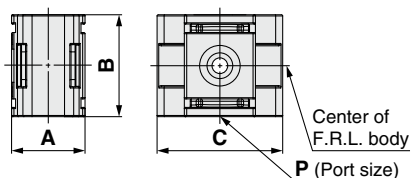
	Symbol	Description	①		
			Body size [Applicable AC size]		
			200 [AC20]	300 [AC30]	400 [AC40]
② Pipe thread type	Nil	Rc	●	●	●
	N	NPT	●	●	●
	F	G	●	●	●
+					
③ Port size	01	1/8	●	●	—
	02	1/4	●	●	●
	03	3/8	—	●	●
	04	1/2	—	—	●



Standard Specifications

Fluid	Air
Ambient and fluid temperatures	-5 to 60°C (No freezing)
Proof pressure	1.5 MPa
Max. operating pressure	1.0 MPa

Dimensions



Model	P	A	B	C	Applicable AC size
E200L-D	1/8, 1/4	28	35	42	AC20-D
E300L-D	1/8, 1/4, 3/8	31	43	53	AC30-D
E400L-D	1/4, 3/8, 1/2	39	51	71	AC40-D

Caution on Mounting

Pipe threads are not provided on the face which connects with the other components. For use, a separate spacer (or spacer with bracket) is required.

T-Spacer: 1/8, 1/4, 3/8, 1/2

· Using a T-spacer facilitates the branching of air flow.

Y 310 - 03 - - **D**

① ② ③ ④

	Symbol	Description	①			
			Body size [Applicable AC size]			
			210 [AC20]	310 [AC30]	410 [AC40]	
②	Pipe thread type	Nil	Rc	●	●	●
		N	NPT	●	●	●
		F	G	●	●	●
+						
③	Port size (OUT ①)	01	1/8	●	●	—
		02	1/4	●	●	●
		03	3/8	—	○	●
		04	1/2	—	—	○
+						
④	Body type	Nil	Standard	●	●	●
		1	Slim	●	●	●

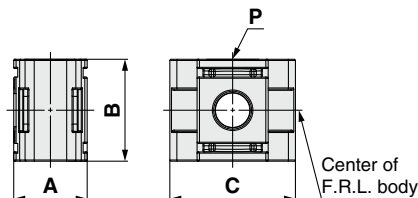
* ○: Only applicable to the standard type body

Standard Specifications

Fluid	Air
Ambient and fluid temperatures	-5 to 60°C (No freezing)
Proof pressure	1.5 MPa
Max. operating pressure	1.0 MPa

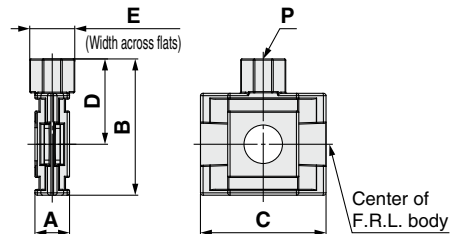
Dimensions

Body type: Standard

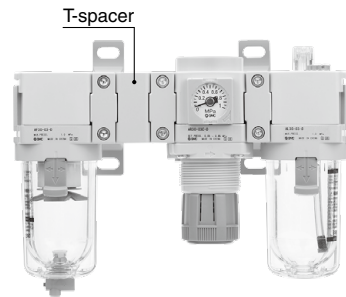


Model	P	A	B	C	Applicable AC size
Y210-D	1/8, 1/4	28	35	42	AC20-D
Y310-D	1/8, 1/4, 3/8	31	43	53	AC30-D
Y410-D	1/4, 3/8, 1/2	39	51	71	AC40-D

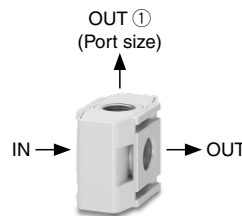
Body type: Slim



Model	P	A	B	C	D	E	Applicable AC size
Y210-1-D	1/8, 1/4	14.6	48.5	42	31	19	AC20-D
Y310-1-D	1/8, 1/4	14.6	57.5	53	36	19	AC30-D
Y410-1-D	1/4, 3/8	18.6	67	71	41.5	24	AC40-D

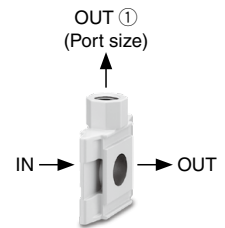


Body type: Standard
(Y□-□□-D)



	Port size
IN	—
OUT	—
OUT ①	③

Body type: Slim
(Y□-□□-1-D)



	Port size
IN	—
OUT	—
OUT ①	③

Caution on Mounting

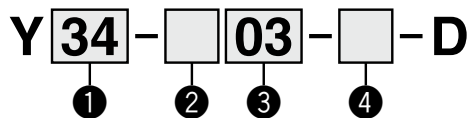
- Pipe threads are not provided on the face which connects with the other components. For use, a separate spacer (or spacer with bracket) is required.
- The backflow of oil may occur when a spacer is used on the inlet side of the lubricator. Attach a check valve between the lubricator and the product to prevent backflow.

AC
 AF + AR + AL
 AW + AL
 AW + AR
 AF + AR
 AF + AFM + AR
 AW + AFM
 Attachments
 AF
 AFM / AFD
 AR
 AL
 AW

AC-D Series

Cross Spacer: 1/8, 1/4, 3/8, 1/2

The piping can be branched upward/downward (OUT ①) or forward/backward (OUT ②).



	Symbol	Description	①		
			Body size [Applicable AC size]		
			24 [AC20]	34 [AC30]	44 [AC40]
② Pipe thread type	Nil	Rc	●	●	●
	N	NPT	●	●	●
	F	G	●	●	●
+					
③ Port size (OUT ①)	01	1/8	●	●	—
	02	1/4	—	●	●
	03	3/8	—	●	●
	04	1/2	—	—	●
+					
④ Body type	Nil	Standard*1	●	●	●
	1	Front and back port selectable type*2	●	●	●

*1 The front and back ports are for releasing pressure and only come in size 1/8, irrespective of the ③ port size. The minimum port size is 1.4 mm.

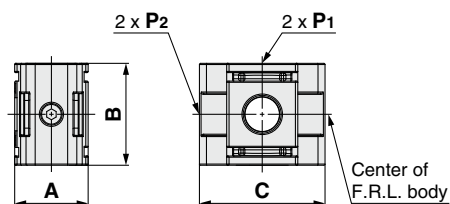
*2 The front and back ports come in the same size as the ③ port size.

Standard Specifications

Fluid	Air
Ambient and fluid temperatures	-5 to 60°C (No freezing)
Proof pressure	1.5 MPa
Max. operating pressure	1.0 MPa

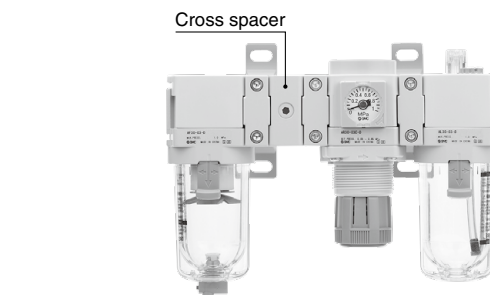
Dimensions

Body type: Standard

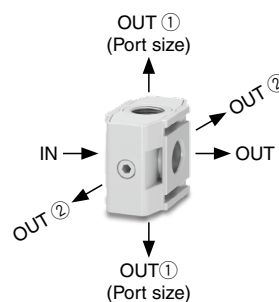


Model	P1	P2*1	A	B	C	Applicable AC size
Y24-D	1/8, 1/4	1/8	28	35	42	AC20-D
Y34-D	1/8, 1/4, 3/8	1/8	31	43	53	AC30-D
Y44-D	1/4, 3/8, 1/2	1/8	39	51	71	AC40-D

*1 A resin plug is attached to the P2 port and shipped together with the product.

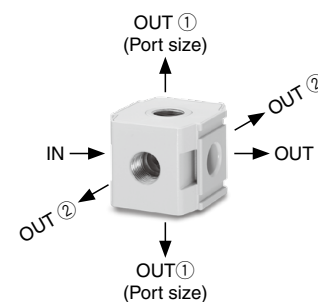


Body type: Standard (Y□-□□-D)



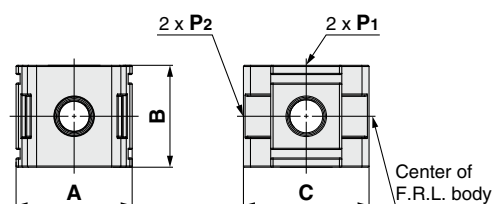
	Port size
IN	—
OUT	—
OUT ①	③
OUT ②	1/8

Body type: Front and back port selectable (Y□-□□-1-D)



	Port size
IN	—
OUT	—
OUT ①	③
OUT ②	③

Body type: Front and back port selectable



Model	P1, P2*1	A	B	C	Applicable AC size
Y24-1-D	1/8, 1/4	40	35	42	AC20-D
Y34-1-D	1/8, 1/4, 3/8	49	43	53	AC30-D
Y44-1-D	1/4, 3/8, 1/2	60	51	71	AC40-D

*1 Two hexagon socket head plugs the same size as the P1 and P2 ports are shipped together with the product.

Caution on Mounting

- Pipe threads are not provided on the face which connects with the other components. For use, a separate spacer (or spacer with bracket) is required.
- The backflow of oil may occur when a spacer is used on the inlet side of the lubricator. Attach a check valve between the lubricator and the product to prevent backflow.

Pressure Switch

· A compact, integrated pressure switch can be easily installed to facilitate the pressure detection of the line.

IS10M - 30 - □ - D

① ②

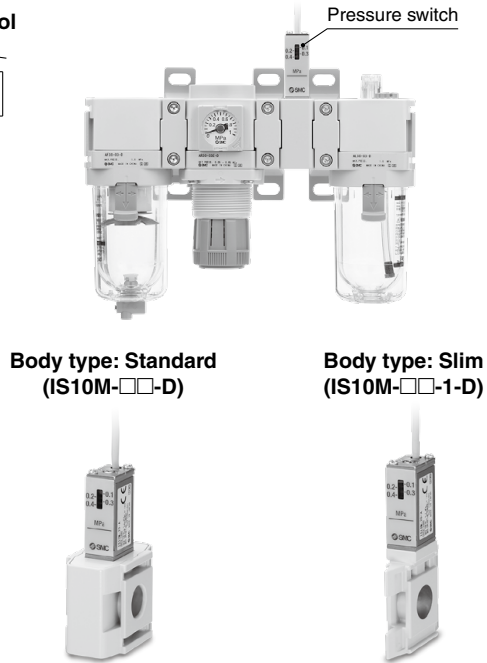
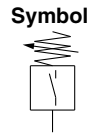
· Semi-standard: Select one each for **a** to **d**.
 · Semi-standard symbol: When more than one specification is required, indicate in alphanumeric order.
 Example) IS10M-30-6LP-D

		Symbol	Description	①			
				Body size [Applicable AC size]			
				20 [AC20]	30 [AC30]	40 [AC40]	
② Semi-standard	a	Set pressure range	Nil	0.1 to 0.4 MPa	●	●	●
			6*1	0.1 to 0.6 MPa	○	○	○
			+				
	b	Lead wire length	Nil	0.5 m	●	●	●
			L	3 m	●	●	●
			Z	5 m	●	●	●
			+				
	c	Pressure unit of the scale plate	Nil	MPa	●	●	●
			P*2	MPa/psi dual scale	○	○	○
			+				
	d	Body type	Nil	Standard	●	●	●
			1	Slim	●	●	●

*1 The set pressure range for the 6P is 0.2 to 0.6 MPa (30 to 90 psi).
 *2 This product is for overseas use only according to the New Measurement Act.
 (The SI unit type is provided for use in Japan.)

Standard Specifications

Fluid	Air
Ambient and fluid temperatures	-5 to 60°C (No freezing)
Proof pressure	1.0 MPa
Max. operating pressure	0.7 MPa
Set pressure range (when OFF)	0.1 to 0.4 MPa
Hysteresis	0.08 MPa or less



●: Without restrictions
 ○: With restrictions (Refer to *1 and *2.)

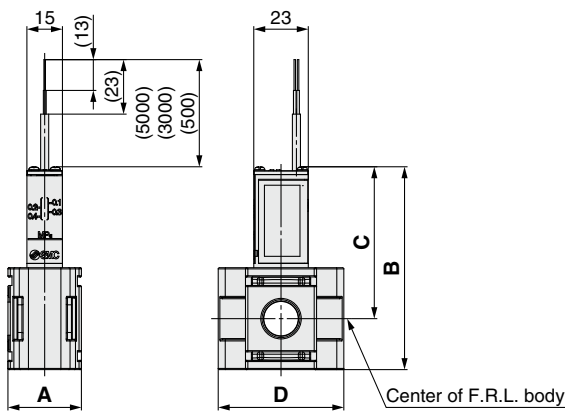
Switch Characteristics

Contact point configuration	1a
Max. contact point capacity	2 VA (AC), 2 W (DC)
Operating voltage: AC, DC	100 V or less
Max. operating current	12 V to 24 VAC, DC: 50 mA 48 VAC, DC: 40 mA 100 VAC, DC: 20 mA

* For detailed specifications of the IS10 series, refer to the IS10 series section on the SMC website: <https://www.smcworld.com>

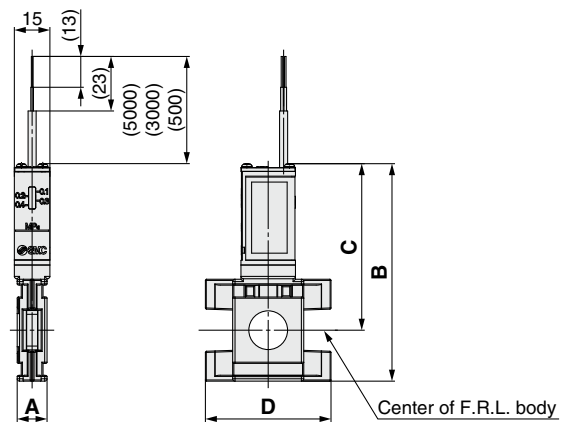
Dimensions

Body type: Standard



Model	A	B	C	D	Applicable AC size
IS10M-20-D	28	77.6	60.1	42	AC20-D
IS10M-30-D	31	85.6	64.1	53	AC30-D
IS10M-40-D	39	93.6	68.1	71	AC40-D

Body type: Slim



Model	A	B	C	D	Applicable AC size
IS10M-20-1-D	10.6	83.8	66.3	42	AC20-D
IS10M-30-1-D	12.6	91.8	70.3	53	AC30-D
IS10M-40-1-D	14.6	97.8	72.3	58.6	AC40-D

Caution on Mounting

Pipe threads are not provided on the face which connects with the other components. For use, a separate spacer (or spacer with bracket) is required.

AC
 AF + AR + AL
 AF + AR
 AW + AL
 AF + AR
 AF + AFM + AR
 AF + AFM
 AW + AFM
 Attachments
 AF
 AFM / AFD
 AR
 AL
 AW

AC-D Series

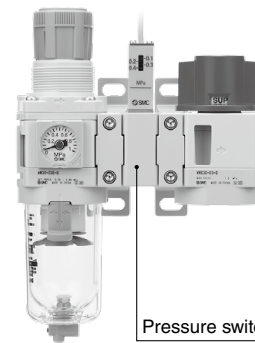
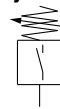
Pressure Switch with T-Spacer

· A compact, integrated pressure switch can be easily installed to facilitate the pressure detection of the line.

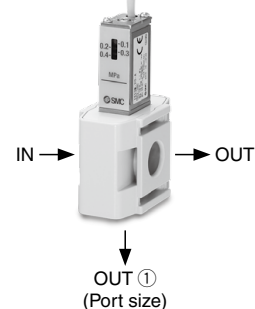
IS10T-30- 03- -D

1
 2
 3
 4

Symbol



Pressure switch with T-spacer



	Port size
IN	—
OUT	—
OUT ①	③

· Semi-standard: Select one each for **a** to **c**.
 · Semi-standard symbol: When more than one specification is required, indicate in alphanumeric order.
 Example) IS10T-30-N03-6LP-D

	Symbol	Description	①			
			Body size [Applicable AC size]			
			20 [AC20]	30 [AC30]	40 [AC40]	
② Pipe thread type	Nil	Rc	●	●	●	
	N	NPT	●	●	●	
	F	G	●	●	●	
+						
③ Port size (OUT①)	01	1/8	●	●	—	
	02	1/4	●	●	●	
	03	3/8	—	●	●	
	04	1/2	—	—	●	
+						
④ Semi-standard	a Set pressure range	Nil	0.1 to 0.4 MPa	●	●	●
		6*1	0.1 to 0.6 MPa	○	○	○
	+					
	b Lead wire length	Nil	0.5 m	●	●	●
		L	3 m	●	●	●
		Z	5 m	●	●	●
+						
c Pressure unit of the scale plate	Nil	MPa	●	●	●	
	P*2	MPa/psi dual scale	○	○	○	

●: Without restrictions
 ○: With restrictions (Refer to *1 and *2.)

*1 The set pressure range for the 6P is 0.2 to 0.6 MPa (30 to 90 psi).
 *2 For the pipe thread type: NPT only
 This product is for overseas use only according to the New Measurement Act.
 (The SI unit type is provided for use in Japan.)

Standard Specifications

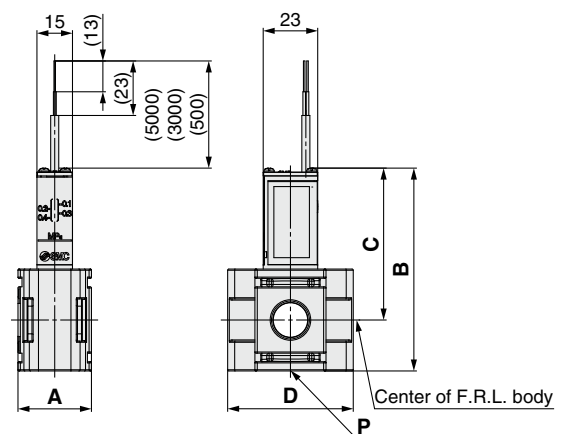
Fluid	Air
Ambient and fluid temperatures	-5 to 60°C (No freezing)
Proof pressure	1.0 MPa
Max. operating pressure	0.7 MPa
Set pressure range (when OFF)	0.1 to 0.4 MPa
Hysteresis	0.08 MPa or less

Switch Characteristics

Contact point configuration	1a
Max. contact point capacity	2 VA (AC), 2 W (DC)
Operating voltage: AC, DC	100 V or less
Max. operating current	12 V to 24 VAC, DC: 50 mA
	48 VAC, DC: 40 mA
	100 VAC, DC: 20 mA

* For detailed specifications of the IS10 series, refer to the IS10 series section on the SMC website: <https://www.smcworld.com>

Dimensions



Model	P	A	B	C	D	Applicable AC size
IS10T-20-D	1/8, 1/4	28	77.6	60.1	42	AC20-D
IS10T-30-D	1/8, 1/4, 3/8	31	85.6	64.1	53	AC30-D
IS10T-40-D	1/4, 3/8, 1/2	39	93.6	68.1	71	AC40-D

Caution on Mounting

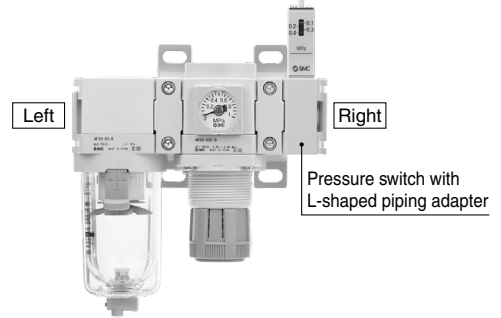
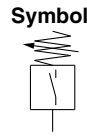
- Pipe threads are not provided on the face which connects with the other components. For use, a separate spacer (or spacer with bracket) is required.
- The backflow of oil may occur when a spacer is used on the inlet side of the lubricator. Attach a check valve between the lubricator and the product to prevent backflow.

Pressure Switch with L-Shaped Piping Adapter

- A compact, integrated pressure switch can be easily installed to facilitate the pressure detection of the line.
- Using on the inlet side or the outlet side of F.R.L. units allows the component to be installed/removed without removing the piping.

IS10L-30-□-03-□-D

1
 2
 3
 4



• Semi-standard: Select one each for **a** to **d**.
 • Semi-standard symbol: When more than one specification is required, indicate in alphanumeric order.
 Example) IS10L-30-N03-6LP-D

		Symbol	Description	①				
				Body size [Applicable AC size]				
				20 [AC20]	30 [AC30]	40 [AC40]		
②	Pipe thread type	Nil	Rc	●	●	●		
		N	NPT	●	●	●		
		F	G	●	●	●		
+								
③	Port size (OUT)	01	1/8	●	●	—		
		02	1/4	●	●	●		
		03	3/8	—	●	●		
		04	1/2	—	—	●		
+								
④	Semi-standard	a	Set pressure range	Nil	0.1 to 0.4 MPa	●	●	●
			6*1	0.1 to 0.6 MPa	○	○	○	
		+						
		b	Lead wire length	Nil	0.5 m	●	●	●
				L	3 m	●	●	●
				Z	5 m	●	●	●
	+							
	c	Pressure unit of the scale plate	Nil	MPa	●	●	●	
			P*2	MPa/psi dual scale	○	○	○	
	+							
	d	Mounting position	Nil	Right	●	●	●	
			R	Left	●	●	●	

*1 The set pressure range for the 6P is 0.2 to 0.6 MPa (30 to 90 psi).
 *2 For the pipe thread type: NPT only
 This product is for overseas use only according to the New Measurement Act.
 (The SI unit type is provided for use in Japan.)

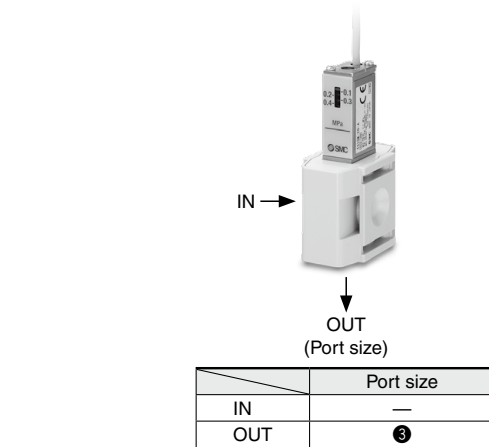
Standard Specifications

Fluid	Air
Ambient and fluid temperatures	-5 to 60°C (No freezing)
Proof pressure	1.0 MPa
Max. operating pressure	0.7 MPa
Set pressure range (when OFF)	0.1 to 0.4 MPa
Hysteresis	0.08 MPa or less

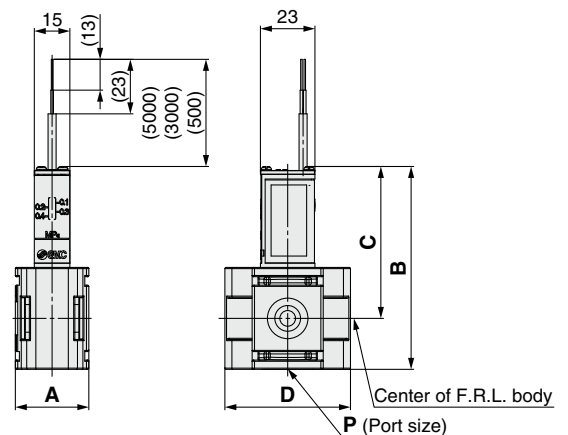
Switch Characteristics

Contact point configuration	1a
Max. contact point capacity	2 VA (AC), 2 W (DC)
Operating voltage: AC, DC	100 V or less
Max. operating current	12 V to 24 VAC, DC: 50 mA 48 VAC, DC: 40 mA 100 VAC, DC: 20 mA

* For detailed specifications of the IS10 series, refer to the IS10 series section on the SMC website: <https://www.smcworld.com>



Dimensions



Model	P	A	B	C	D	Applicable AC size
IS10L-20-D	1/8, 1/4	28	77.6	60.1	42	AC20-D
IS10L-30-D	1/8, 1/4, 3/8	31	85.6	64.1	53	AC30-D
IS10L-40-D	1/4, 3/8, 1/2	39	93.6	68.1	71	AC40-D

Caution on Mounting

Pipe threads are not provided on the face which connects with the other components. For use, a separate spacer (or spacer with bracket) is required.

AC
 AF + AR + AL
 AW + AL
 AF + AR
 AF + AFM + AR
 AW + AFM
 Attachments
 AF
 AFM / AFD
 AR
 AL
 AW

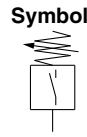
AC-D Series

Pressure Switch with Piping Adapter

· A compact, integrated pressure switch can be easily installed to facilitate the pressure detection of the line.

IS10E-30-03-D

1 2 3 4



· Semi-standard: Select one each for a to d.
 · Semi-standard symbol: When more than one specification is required, indicate in alphanumeric order.
 Example) IS10E-30-N03-6LP-D

		Symbol	Description	①			
				Body size [Applicable AC size]			
				20 [AC20]	30 [AC30]	40 [AC40]	
②	Pipe thread type	Nil	Rc	●	●	●	
		N	NPT	●	●	●	
		F	G	●	●	●	
+							
③	Port size (OUT)	01	1/8	●	—	—	
		02	1/4	●	●	●	
		03	3/8	—	●	●	
		04	1/2	—	●	●	
		06	3/4	—	—	●	
+							
④	a	Set pressure range	Nil	0.1 to 0.4 MPa	●	●	●
			6*1	0.1 to 0.6 MPa	○	○	○
	+						
	b	Lead wire length	Nil	0.5 m	●	●	●
			L	3 m	●	●	●
			Z	5 m	●	●	●
	+						
	c	Pressure unit of the scale plate	Nil	MPa	●	●	●
			P*2	MPa/psi dual scale	○	○	○
	+						
	d	Mounting position	Nil	Right	●	●	●
			R	Left	●	●	●

●: Without restrictions
 ○: With restrictions (Refer to *1 and *2.)

*1 The set pressure range for the 6P is 0.2 to 0.6 MPa (30 to 90 psi).
 *2 For the pipe thread type: NPT only
 This product is for overseas use only according to the New Measurement Act.
 (The SI unit type is provided for use in Japan.)

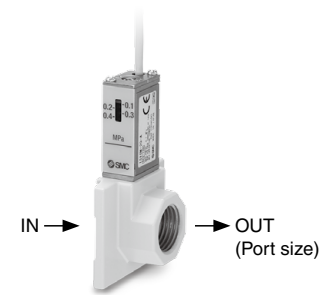
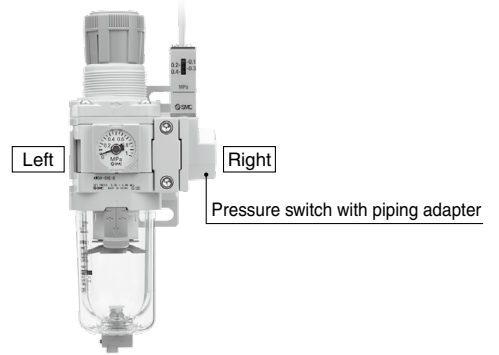
Standard Specifications

Fluid	Air
Ambient and fluid temperatures	-5 to 60°C (No freezing)
Proof pressure	1.0 MPa
Max. operating pressure	0.7 MPa
Set pressure range (when OFF)	0.1 to 0.4 MPa
Hysteresis	0.08 MPa or less

Switch Characteristics

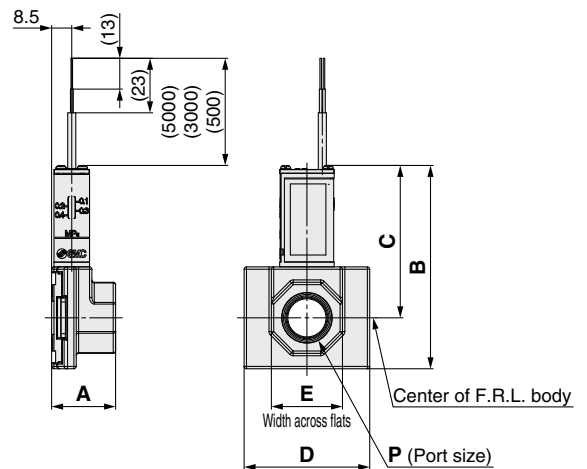
Contact point configuration	1a
Max. contact point capacity	2 VA (AC), 2 W (DC)
Operating voltage: AC, DC	100 V or less
Max. operating current	12 V to 24 VAC, DC: 50 mA
	48 VAC, DC: 40 mA
	100 VAC, DC: 20 mA

* For detailed specifications of the IS10 series, refer to the IS10 series section on the SMC website: <https://www.smcworld.com>



		Port size
IN		—
OUT		③

Dimensions



Model	P	A	B	C	D	E	Applicable AC size
IS10E-20-D	1/8, 1/4, 3/8	24	77.8	60.3	42	24	AC20-D
IS10E-30-D	1/4, 3/8, 1/2	27	85.8	64.3	53	30	AC30-D
IS10E-40-D	1/4, 3/8, 1/2, 3/4	30	93.8	68.3	71	36	AC40-D

Caution on Mounting

Pipe threads are not provided on the face which connects with the other components. For use, a separate spacer (or spacer with bracket) is required.



AC-D Series Specific Product Precautions

Be sure to read this before handling the products. Refer to the back cover for safety instructions. For F.R.L. units precautions, refer to the “Handling Precautions for SMC Products” and the “Operation Manual” on the SMC website: <https://www.smcworld.com>

Air Supply

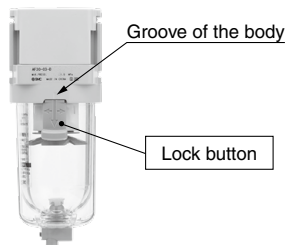
⚠ Caution

1. Use an air filter with 5 μm or less filtration rating on the inlet side of the valve to avoid any damage to the seat caused by dust when mounting a pressure relief 3-port valve on the inlet side.

Mounting / Adjustment

⚠ Caution

1. When the bowl is installed on the air filter, filter regulator, lubricator, mist separator, or micro mist separator (AC30-D to AC60-D), install them so that the lock button lines up to the groove of the front (or the back) of the body to avoid drop or damage of the bowl.

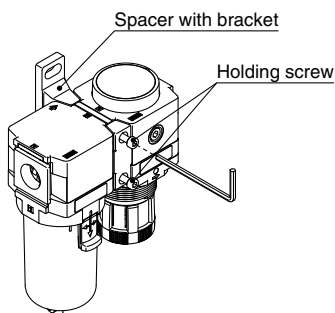


2. Tighten the 2 holding screws on the spacer with bracket or spacer evenly.
Tighten them to the recommended tightening torque. Insufficient tightening torque may result in loosening or sealing failure. Excessive tightening torque may damage the thread, etc.

Recommended Torque

Unit: N·m

Applicable model	AC20□	AC30□	AC40□	AC40□-06	AC50□ AC60□
Spacer with bracket part no.	Y200T-D	Y300T-D	Y400T-D	Y500T-D	Y600T-D
Spacer part no.	Y200-D	Y300-D	Y400-D	Y500-D	Y600-D
Torque	0.36 ±0.036	1.2 ±0.05	1.2 ±0.05	1.4 ±0.05	2.0 ±0.1



Selection

⚠ Warning

1. Piping load and moment

Avoid any torsional or bending moments other than those caused by the equipment's own weight as failure to do so may result in damage.

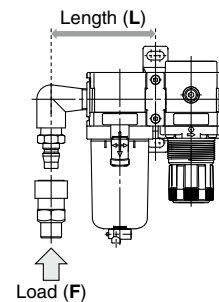
Support external piping separately. If moment application is unavoidable during operation, the moment should be lower than the max. moment shown below.

Piping materials without flexibility, such as steel tube piping, are prone to being affected by excess moment loads or vibrations from the piping side. Use flexible tubing in between to avoid such effects.

Unit: N·m

Applicable model	AC20□	AC30□	AC40□	AC40□-06	AC50□ AC60□
Max. moment (M)	14.5	16	19.5	35	45

Max. moment (M) = Length (L) x Load (F)



2. Float type auto drain

Operate under the following conditions to avoid a malfunction.

<N.O. type>

- Operating compressor: 0.75 kW (100 L/min (ANR)) or more
When using 2 or more auto drains, multiply the value above by the number of auto drains to find the capacity of the compressors you will need.
For example, when using 2 auto drains, 1.5 kW (200 L/min (ANR)) of the compressor capacity is required.

- Operating pressure: 0.1 MPa or more

<N.C. type>

- Operating pressure for AD27-D: 0.1 MPa or more
Operating pressure for AD37-D/AD47-D: 0.15 MPa or more

3. Use a regulator or filter regulator with backflow function when mounting a pressure relief 3-port valve on the inlet side to ensure the release of the residual pressure. Otherwise, residual pressure will not be fully released.

⚠ Caution

1. When releasing air at the intermediate position using a T-spacer on the inlet side of the lubricator, lubricant may backflow. Therefore, releasing air that does not contain traces of lubricant is not possible. To release air that does not contain traces of lubricant, use a check valve (AKM series) on the inlet side of the lubricator to prevent a backflow of the lubricant.
2. If a pressure relief 3-port valve is mounted on the inlet side of the lubricator, causing a backflow of air, it can result in a backflow of oil or damage to internal parts. Do not use it in this manner.
3. An F.R.L. unit shipped from the plant has its model number labeled. However, components that are combined together during the distribution process do not have a label on them.
4. When operating at an inlet pressure lower than the inlet pressure used in the flow rate characteristics graph, the pressure drop on the outlet side may be greater. Therefore, be sure to conduct testing using the actual equipment.
For air combination selection, refer to page 99 in the “Product Selection Guide.”

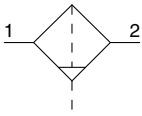
Modular Type Air Filter *AF Series*

Air Filter AF Series	Model	Port size	Filtration [μm]	Options
 <p data-bbox="145 898 276 925">p. 60 to 68</p>	AF20-D	1/8, 1/4	5	Bracket Float type auto drain
	AF30-D	1/4, 3/8		
	AF40-D	1/4, 3/8, 1/2		
	AF40-06-D	3/4		
	AF50-D	3/4, 1		
	AF60-D	1		

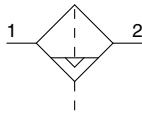
Air Filter

AF20-D to AF60-D

Symbol
Air Filter



Air Filter with Auto Drain



How to Order

AF **30** - **03** **BD** - **03** - **D**

① ② ③ ④ ⑤

· Option/Semi-standard: Select one each for a to f.
· Option/Semi-standard symbol:
When more than one specification is required, indicate in alphanumeric order.
Example) AF30-03BD-R-D

	Symbol	Description	① Body size						
			20	30	40	50	60		
②	Pipe thread type	Nil	Rc	●	●	●	●	●	
		N	NPT	●	●	●	●	●	
		F	G	●	●	●	●	●	
+									
③	Port size	01	1/8	●	—	—	—	—	
		02	1/4	●	●	●	—	—	
		03	3/8	—	●	●	—	—	
		04	1/2	—	—	●	—	—	
		06	3/4	—	—	●	●	—	
		10	1	—	—	—	●	●	
+									
④ Option	a	Mounting	Nil	Without mounting option	●	●	●	●	●
			B*1	With bracket	●	●	●	●	●
	+								
	b	Float type auto drain*2	Nil	Without auto drain	●	●	●	●	●
			C*3	N.C. (Normally closed) Drain port is closed when pressure is not applied.	●	●	●	●	●
			D*4	N.O. (Normally open) Drain port is open when pressure is not applied.	—	●	●	●	●
+									
⑤ Semi-standard	c	Bowl*5	Nil	Polycarbonate bowl	●	●	●	●	●
			2	Metal bowl	●	●	●	●	●
			6	Nylon bowl	●	●	●	●	●
			8	Metal bowl with level gauge	—	●	●	●	●
			C	With bowl guard	●	—*6	—*6	—*6	—*6
			6C	With bowl guard (Nylon bowl)	●	—*7	—*7	—*7	—*7
	+								
	d	Drain port*8	Nil	With drain cock	●	●	●	●	●
			J*9	Drain guide 1/8	●	—	—	—	—
			W*10	Drain cock with barb fitting	—	●	●	●	●
+									
e	Flow direction	Nil	Flow direction: Left to right	●	●	●	●	●	
		R	Flow direction: Right to left	●	●	●	●	●	
+									
f	Unit	Nil	Unit on product label: MPa, °C	●	●	●	●	●	
		Z*11	Unit on product label: psi, °F	○*12	○*12	○*12	○*12	○*12	

*1 Option B is included in the package with the product but does not come assembled. The assembly consists of 2 types of the bracket and 2 mounting screws.
 *2 The auto drain port is ø10 One-touch fitting (② Pipe thread type: Rc, G) or ø3/8" One-touch fitting (② Pipe thread type: NPT)
 *3 When pressure is not applied, condensate which does not start the auto drain mechanism will be left in the bowl. Releasing the residual condensate before ending operations for the day is recommended.
 *4 If the compressor is small (0.75 kW, discharge flow is less than 100 L/min (ANR)), air leakage from the drain cock may occur during the start of operations. N.C. type is recommended.
 *5 Refer to chemical data on page 68 for chemical resistance of the bowl.
 *6 A bowl guard is provided as standard equipment (polycarbonate).
 *7 A bowl guard is provided as standard equipment (nylon).
 *8 The combination of float type auto drain C and D is not available.
 *9 Without a valve function. The mounting screws are the same as the thread of ②.
 *10 The combination of metal bowl 2 and 8 is not available.
 *11 For the pipe thread type: NPT. This product is for overseas use only according to the New Measurement Act. (The SI unit type is provided for use in Japan.)
 *12 ○: For the pipe thread type: NPT only

AC
AF + AR + AL
AW + AL
AF + AR
AF + AFM + AR
AW + AFM
Attachments
AF
AFM / AFD
AR
AL
AW

AF20-D to AF60-D Series

Standard Specifications

Model	AF20-D	AF30-D	AF40-D	AF40-06-D	AF50-D	AF60-D
Port size	1/8, 1/4	1/4, 3/8	1/4, 3/8, 1/2	3/4	3/4, 1	1
Fluid	Air					
Ambient and fluid temperatures	-5 to 60°C (No freezing)					
Proof pressure	1.5 MPa					
Max. operating pressure	1.0 MPa					
Auto drain minimum operating pressure	N.C.	0.1 MPa		0.15 MPa		
	N.O.	—		0.1 MPa		
Nominal filtration rating*1	5 μm					
Compressed air purity class*2	ISO 8573-1:2010 [6 : 8 : 4]*3					
Drain capacity	8 cm ³	25 cm ³			45 cm ³	
Bowl material	Polycarbonate					
Bowl guard	Semi-standard (Steel)			Standard (Polycarbonate)		
Weight	0.09 kg	0.17 kg	0.35 kg	0.39 kg	0.85 kg	0.92 kg

*1 For the following conditions in accordance with [Test condition: ISO 8573-4:2001 compliant, Test method ISO 12500-3:2009 compliant]

Conditions: When a new element is used, and the flow capacity, inlet pressure, and the amount of solid bodies on the filter inlet side are stable

*2 The compressed air purity class is indicated based on ISO 8573-1:2010 Compressed air – Part 1: Contaminants and purity classes.

For details on this standard, refer to page 110.

*3 The compressed air quality class on the inlet side is [7 : 9 : 4].

Bowl Assembly/Part Nos.

Bowl material	Drain discharge mechanism	Drain port	Other	Model					
				AF20-D	AF30-D	AF40-D	AF40-06-D	AF50-D	AF60-D
Polycarbonate	Manual	With drain cock	—	C2SF-D	—	—			
			With bowl guard	C2SF-C-D	C3SF-D	C4SF-D			
		Drain cock with barb fitting	With bowl guard	—	C3SF-W-D	C4SF-W-D			
	Automatic*1 (Auto drain)	With drain guide (without valve function)	—	C2SF□-J-D	—	—			
			With bowl guard	C2SF□-CJ-D	C3SF□-J-D	C4SF□-J-D			
		Normally closed (N.C.)	—	AD27-D	—	—			
	With bowl guard	AD27-C-D	AD37□-D	AD47□-D					
	Normally open (N.O.)	With bowl guard	—	AD38□-D	AD48□-D				
Nylon	Manual	With drain cock	—	C2SF-6-A	—	—			
			With bowl guard	C2SF-6C-A	C3SF-6-A	C4SF-6-A			
		Drain cock with barb fitting	With bowl guard	—	C3SF-6W-A	C4SF-6W-A			
	Automatic*1 (Auto drain)	With drain guide (without valve function)	—	C2SF□-6J-A	—	—			
			With bowl guard	C2SF□-6CJ-A	C3SF□-6J-A	C4SF□-6J-A			
		Normally closed (N.C.)	—	AD27-6-A	—	—			
	With bowl guard	AD27-6C-A	AD37□-6-A	AD47□-6-A					
	Normally open (N.O.)	With bowl guard	—	AD38□-6-A	AD48□-6-A				
Metal	Manual	With drain cock	—	C2SF-2-A	C3SF-2-A	C4SF-2-A			
			With level gauge	—	C3LF-8-A	C4LF-8-A			
		With drain guide (without valve function)	—	C2SF□-2J-A	C3SF□-2J-A	C4SF□-2J-A			
	Automatic*1 (Auto drain)		With level gauge	—	C3LF□-8J-A	C4LF□-8J-A			
		Normally closed (N.C.)	—	AD27-2-A	AD37□-2-A	AD47□-2-A			
			With level gauge	—	AD37□-8-A	AD47□-8-A			
	Normally open (N.O.)	—	AD38□-2-A	AD48□-2-A					
		With level gauge	—	AD38□-8-A	AD48□-8-A				

*1 The bowl assembly comes with a bowl seal.

□ in bowl assembly part numbers indicates a pipe thread type (applicable tubing for auto drain).

No indication is necessary for Rc thread; however, indicate N for NPT thread, and F for G thread. (For auto drain, Nil: ø10, N: ø3/8")

Please contact SMC separately for psi and °F unit display specifications.

Option/Part Nos.

Optional specifications	Model					
	AF20-D	AF30-D	AF40-D	AF40-06-D	AF50-D	AF60-D
Bracket assembly*1	AF24P-070AS	AF34P-070AS	AF44P-070AS	AF49P-070AS	AF54P-070AS	
Auto drain	Refer to "Bowl Assembly/Part Nos."					

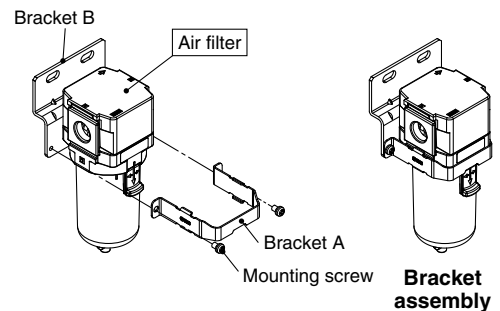
*1 The assembly consists of a bracket A/B and 2 mounting screws.

Replacement Parts

Description	Part no.					
	AF20-D	AF30-D	AF40-D	AF40-06-D	AF50-D	AF60-D
Filter element	AF20P-060S	AF30P-060S	AF40P-060S		AF50P-060S	AF60P-060S
Baffle	AF24P-040S	AF34P-040S	AF44P-040S		AF54P-040S	AF64P-040S
Bowl seal	C2SFP-260S	C32FP-260S	C42FP-260S			
Bowl assembly*1, *2	Refer to "Bowl Assembly/Part Nos."					

*1 The bowl assembly comes with a bowl seal.

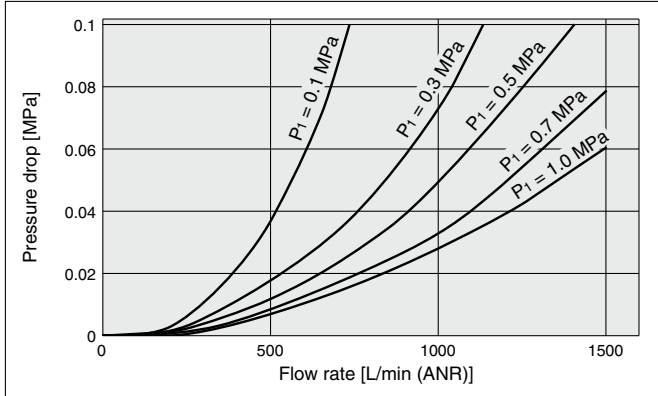
*2 Please contact SMC separately for psi and °F unit display specifications.



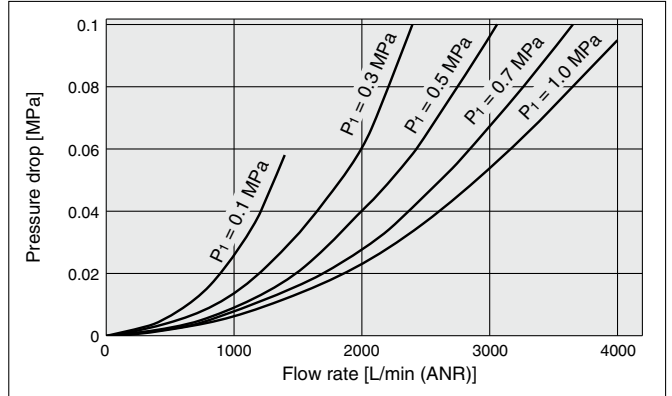
Flow Rate Characteristics (Representative values)

AF20-D

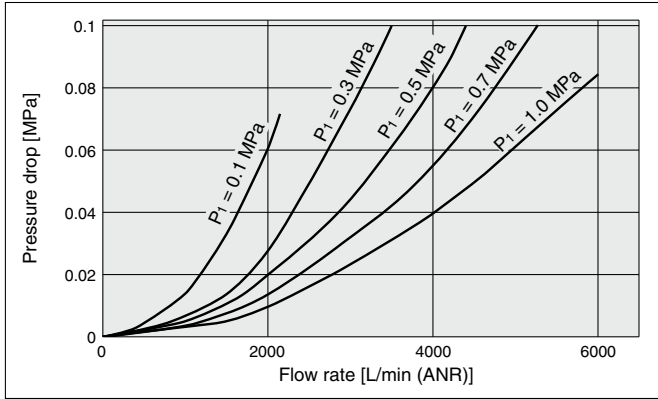
Rc1/4


AF30-D

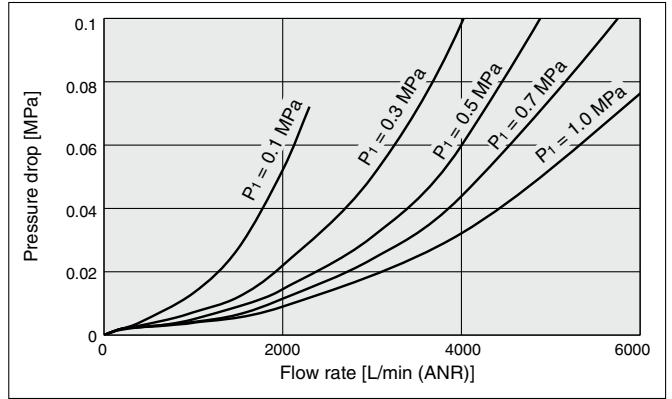
Rc3/8


AF40-D

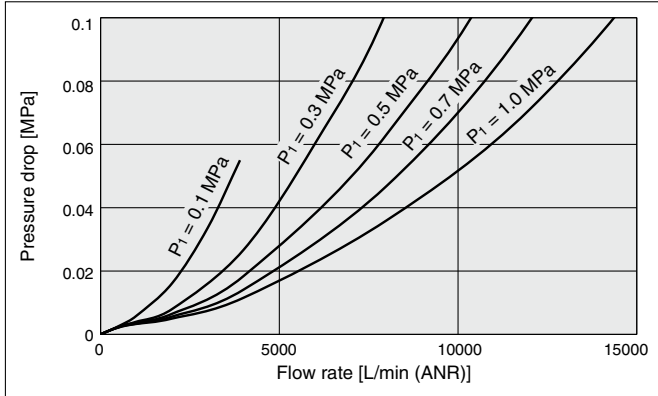
Rc1/2


AF40-06-D

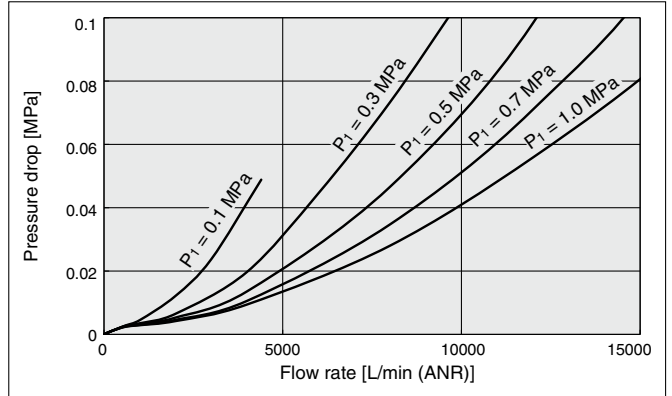
Rc3/4


AF50-D

Rc1


AF60-D

Rc1



AC

AF + AR + AL

AW + AL

AF + AR

AF + AFM + AR

AW + AFM

Attachments

AF

AFM / AFD

AR

AL

AW

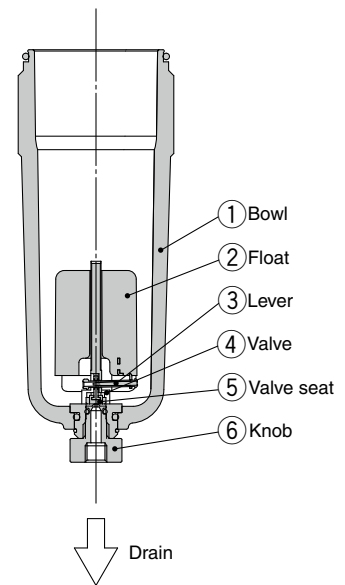
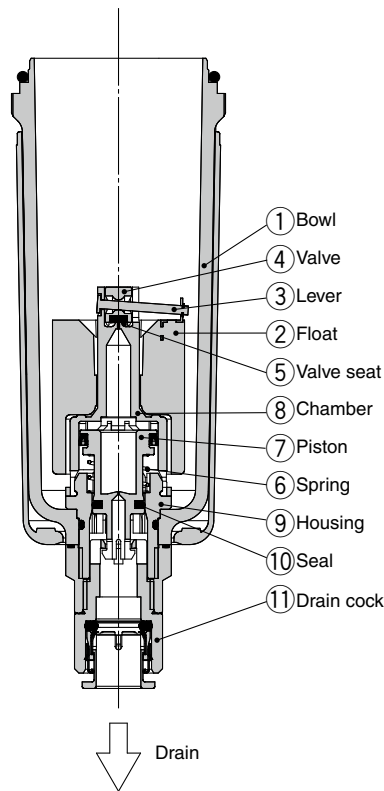
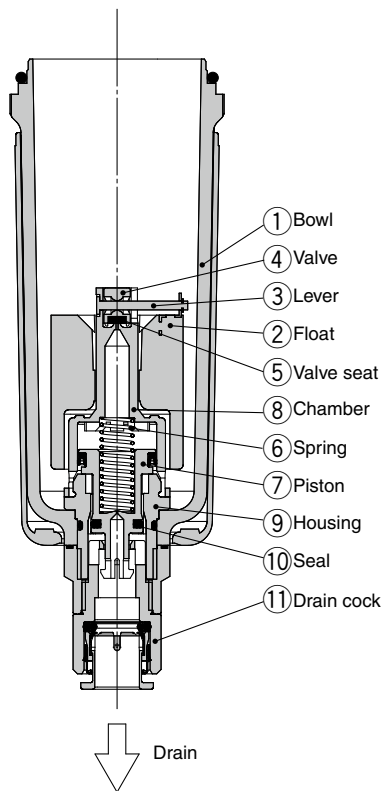
AF20-D to AF60-D Series

Working Principle: Float Type Auto Drain

N.O. type: AD38-D, AD48-D

N.C. type: AD37-D, AD47-D

Compact auto drain N.C. type:
AD27-D



• When pressure inside the bowl is released:

When pressure is released from the bowl ①, the piston ⑦ is lowered by the spring ⑥. The sealing action of the seal ⑩ is interrupted, and the outside air flows inside the bowl ① through the housing hole ⑨ and the drain cock ⑪.

Therefore, if there is an accumulation of condensate in the bowl ①, it will drain out through the drain cock.

• When pressure is applied inside the bowl:

When pressure is 0.1 MPa or more, the force of the piston ⑦ surpasses the force of the spring ⑥, and the piston goes up. This pushes seal ⑩ up so that it creates a seal, and the inside of the bowl ①, is shut off from the outside air.

If there is no accumulation of condensate in the bowl ① at this time, the float ② will be pulled down by its own weight, causing the valve ④, which is connected to the lever ③, to seal the valve seat ⑤.

• When there is an accumulation of condensate in the bowl:

The float ② rises due to its own buoyancy and the seal at the valve seat ⑤ is interrupted. This allows the pressure inside the bowl ① to enter the chamber ⑧. The result is that the combined pressure inside the chamber ⑧ and the force of the spring ⑥ lowers the piston ⑦. This causes the sealing action of the seal ⑩ to be interrupted, and the accumulated condensate in the bowl ① drains out through the drain cock ⑪.

Turning the drain cock ⑪ manually counterclockwise lowers the piston ⑦, and causes the seal created by the seal ⑩ to be interrupted, thus allowing the condensate to drain out.

• When pressure inside the bowl is released:

Even when pressure inside the bowl ① is released, spring ⑥ keeps the piston ⑦ in its upward position.

This keeps the seal created by the seal ⑩ in place; thus, the inside of the bowl ① is shut off from the outside air.

Therefore, even if there is an accumulation of condensate in the bowl ①, it will not drain out.

• When pressure is applied inside the bowl:

Even when pressure is applied inside the bowl ①, the combined force of the spring ⑥ and the pressure inside the bowl ① keeps the piston ⑦ in its upward position.

This maintains the seal created by the seal ⑩ in place; thus, the inside of the bowl ① is shut off from the outside air.

If there is no accumulation of condensate in the bowl ① at this time, the float ② will be pulled down by its own weight, causing the valve ④, which is connected to the lever ③, to seal the valve seat ⑤.

• When there is an accumulation of condensate in the bowl:

The float ② rises due to its own buoyancy and the seal at the valve seat ⑤ is interrupted. This allows the pressure inside the bowl ① to enter the chamber ⑧.

The result is that the pressure inside the chamber ⑧ surpasses the force of the spring ⑥ and pushes the piston ⑦ downward.

This causes the sealing action of the seal ⑩ to be interrupted and the accumulated condensate in the bowl ① drains out through the drain cock ⑪.

Turning the drain cock ⑪ manually counterclockwise lowers the piston ⑦, and causes the seal created by the seal ⑩ to be interrupted, thus allowing the condensate to drain out.

• When pressure inside the bowl is released:

Even when pressure inside the bowl ① is released, the weight of the float ② causes the valve ④, which is connected to the lever ③, to seal the valve seat ⑤. As a result, the inside of the bowl ① is shut off from the outside air.

Therefore, even if there is an accumulation of condensate in the bowl ①, it will not drain out.

• When pressure is applied inside the bowl:

Even when pressure is applied inside the bowl ①, the weight of the float ② and the differential pressure that is applied to the valve ④ cause the valve ④ to seal the valve seat ⑤, and the outside air is shut off from the inside of the bowl ①.

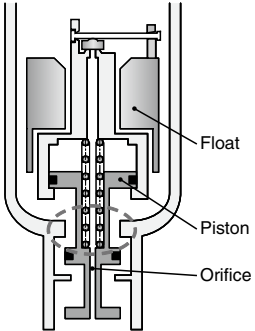
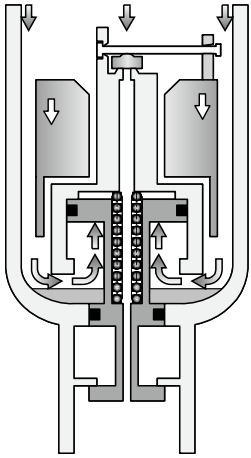
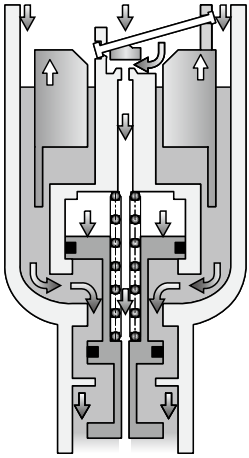
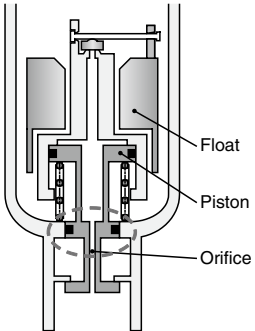
• When there is an accumulation of condensate in the bowl:

The float ② rises due to its own buoyancy and the seal at the valve seat ⑤ is interrupted.

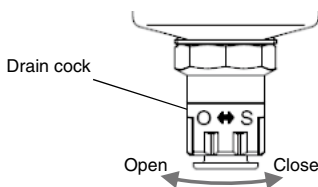
The condensate inside the bowl ① drains out through the knob ⑥.

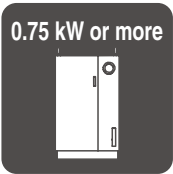
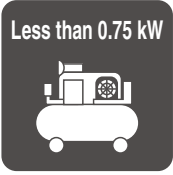
Turning the knob ⑥ manually counterclockwise lowers it and causes the sealing action of the valve seat ⑤ to be interrupted, which allows the condensate to drain out.

Operating State and Proper Use of Float Type Auto Drain

Auto drain	When pressure is not applied (After exhausting residual pressure)	When pressure is applied		Minimum operating pressure
		Before condensate accumulates	When condensate accumulates	
N.O. Normally open	Condensate discharged (Open) 	Condensate not discharged (Close) 	Condensate discharged (Open) 	0.1 MPa or more AF30-D to AF60-D
	Condensate not discharged (Close) 			

◆ For both N.O. and N.C., the condensate can be discharged manually by turning the drain cock to the “O” position.



Proper Use			Recommended auto drain
Compressor	When pressure is not applied (After exhausting residual pressure)	Cold climates	
0.75 kW or more 	Condensate not accumulated Do not want to accumulate condensate generated at the inlet side when pressure is not applied.	Want to prevent troubles caused by freezing.	N.O.*1 Normally open
Less than 0.75 kW 	Condensate accumulated	—	N.C. Normally closed

*1 For N.O. (Normally open) type, the condensate discharge passage is open when pressure is not applied. For this reason, the drain port is not closed completely in a compressor with a small supply amount (less than 0.75 kW) and the air will ceaselessly blow out.

AC

AF + AR + AL

AF + AR

AF + AFM + AR

AW + AFM

Attachments

AF

AFM / AFD

AR

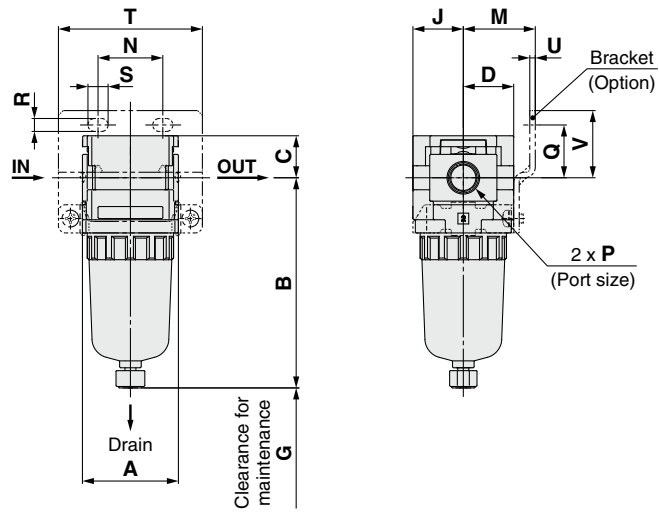
AL

AW

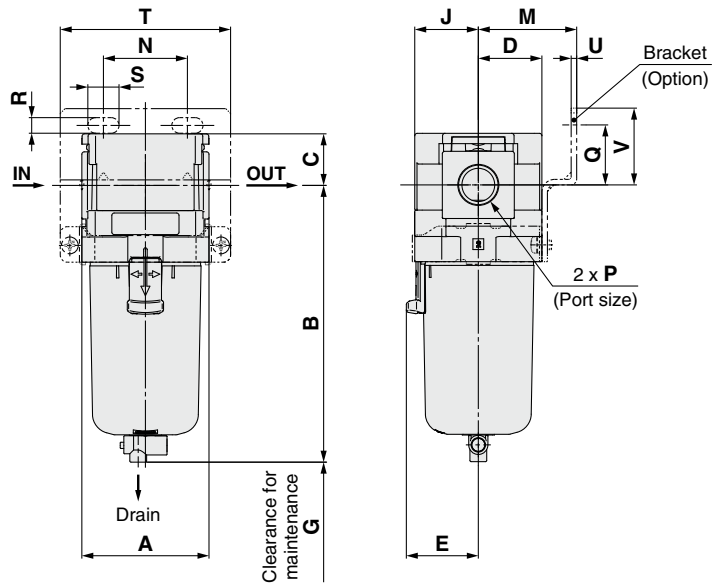
AF20-D to AF60-D Series

Dimensions

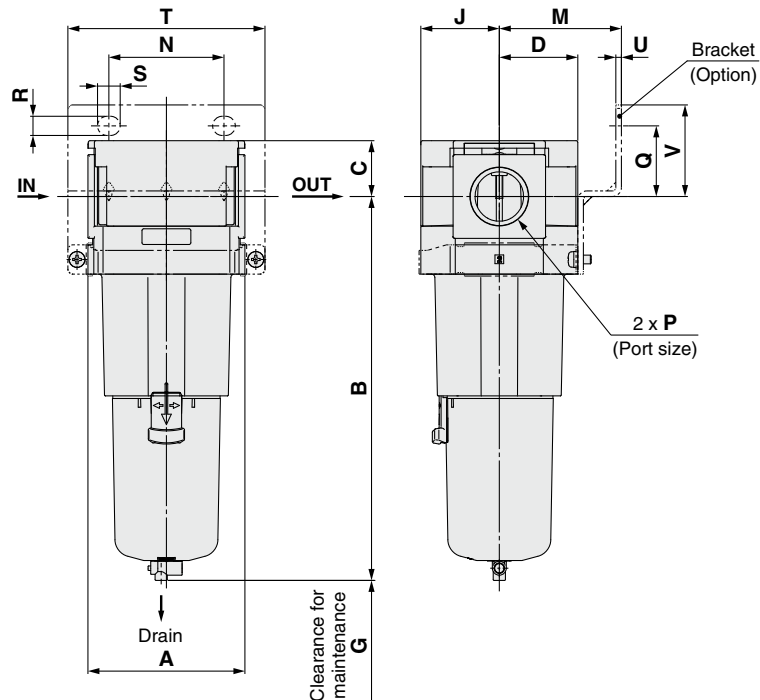
AF20-D



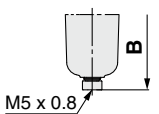
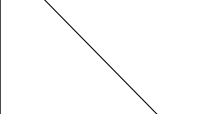
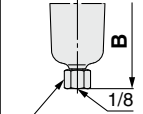
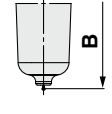
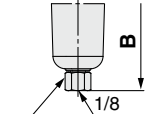
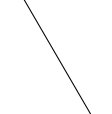
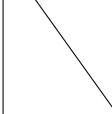
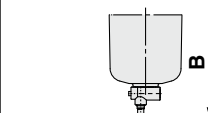
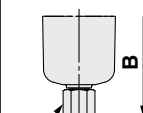
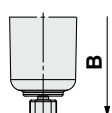
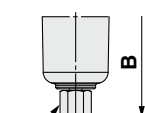
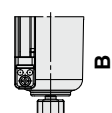
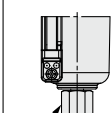
AF30-D to AF40-06-D



AF50-D to AF60-D



Air Filter *AF20-D to AF60-D Series*

Applicable model	Optional specifications	Semi-standard					
	With auto drain	PC/PA bowl		Metal bowl		Metal bowl with level gauge	
		Drain cock with barb fitting	With drain guide	With drain cock	With drain guide	With drain cock	With drain guide
AF20-D							
AF30-D to AF60-D	N.O.: Black N.C.: Gray Thread type/Rc, G: ø10 One-touch fitting Thread type/NPT: ø3/8" One-touch fitting						

Model	Standard specifications																	Optional specifications	
																		Bracket mount	With auto drain
	P	A	B	C	D	E	G	J	M	N	Q	R	S	T	U	V	B		
AF20-D	1/8, 1/4	40	87.6	17.5	21	—	25	21	30	27	22	5.4	8.4	60	2.3	28	104.9		
AF30-D	1/4, 3/8	53	115.4	21.5	26.5	30	35	26.5	41	35	25	6.5	13	71	2.3	32	157.1		
AF40-D	1/4, 3/8, 1/2	70	147.1	25.5	35.5	38.4	40	35.5	50	52	30	8.5	12.5	88	2.3	39	186.9		
AF40-06-D	3/4	75	149.1	27	35.5	38.4	40	35.5	50	52	34	8.5	12.5	88	2.3	43	188.9		
AF50-D	3/4, 1	90	220.1	32	45	—	30	45	70	66	40.5	11	13	113	3.2	52.5	259.9		
AF60-D	1	95	234.1	32	45	—	30	45	70	66	40.5	11	13	113	3.2	52.5	273.9		

Model	Semi-standard specifications					
	PC/PA bowl		Metal bowl		Metal bowl with level gauge	
	With barb fitting	With drain guide	With drain cock	With drain guide	With drain cock	With drain guide
	B	B	B	B	B	B
AF20-D	—	91.4	87.4	93.9	—	—
AF30-D	123.9	122.2	117.8	122.3	137.8	142.3
AF40-D	155.6	153.9	149.5	154	169.5	174
AF40-06-D	157.6	155.9	151.5	156	171.5	176
AF50-D	228.6	226.9	222.5	227	242.5	247
AF60-D	242.6	240.9	236.5	241	256.5	261

AC

AF + AR + AL

AW + AL

AF + AR

AF + AFM + AR

AF + AFM

AW + AFM

Attachments

AF

AFM / AFD

AR

AL

AW

Air Filter/AF20-D to AF60-D

Made to Order

Please contact SMC for detailed dimensions, specifications, and lead times.



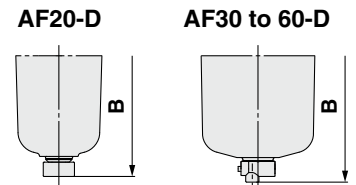
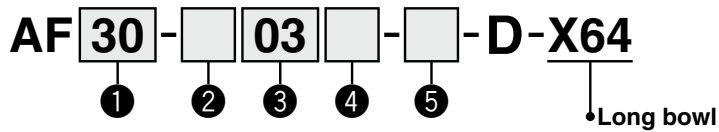
① Long Bowl

Drain capacity is greater than that of standard models.

Applicable Models/Drain Capacity

Model	AF20-D	AF30-D	AF40-D	AF40-06-D	AF50-D	AF60-D
Port size	1/8, 1/4	1/4, 3/8	1/4, 3/8, 1/2	3/4	3/4, 1	1
Drain capacity [cm ³]	19	43	88			
B dimension [mm]*1	108.1	137.4	167.2	169.2	240.2	254.2

*1 For polycarbonate bowls. Please contact SMC for other bowl materials.



· Semi-standard: Select one each for a to d.
 · Option/Semi-standard symbol: When more than one specification is required, indicate in alphanumeric order.
 Example) AF30-03B-2R-D-X64

		Symbol	Description	① Body size					
				20	30	40	50	60	
②	Pipe thread type	Nil	Rc	●	●	●	●	●	
		N	NPT	●	●	●	●	●	
		F	G	●	●	●	●	●	
+									
③	Port size	01	1/8	●	—	—	—	—	
		02	1/4	●	●	●	—	—	
		03	3/8	—	●	●	—	—	
		04	1/2	—	—	●	—	—	
		06	3/4	—	—	●	●	—	
		10	1	—	—	—	●	●	
+									
④	Option (Mounting)	Nil	Without mounting option	●	●	●	●	●	
		B*1	With bracket	●	●	●	●	●	
+									
⑤	a	Bowl*2	Nil	Polycarbonate bowl	●	●	●	●	●
			2	Metal bowl	●	●	●	●	●
			6	Nylon bowl	●	●	●	●	●
			C	With bowl guard	●	—*3	—*3	—*3	—*3
			6C	With bowl guard (Nylon bowl)	●	—*4	—*4	—*4	—*4
	+								
	b	Drain port	Nil	With drain cock	●	●	●	●	●
			J*5	Drain guide 1/8	●	—	—	—	—
			W*6	Drain cock with barb fitting	—	●	●	●	●
	+								
	c	Flow direction	Nil	Flow direction: Left to right	●	●	●	●	●
			R	Flow direction: Right to left	●	●	●	●	●
+									
d	Unit	Nil	Unit on product label: MPa, °C	●	●	●	●	●	
		Z*7	Unit on product label: psi, °F	○*8	○*8	○*8	○*8	○*8	

*1 Option B is included in the package with the product but does not come assembled. The assembly consists of 2 types of the bracket and 2 mounting screws.

*2 Refer to chemical data on page 68 for chemical resistance of the bowl.

*3 A bowl guard is provided as standard equipment (polycarbonate).

*4 A bowl guard is provided as standard equipment (nylon).

*5 Without a valve function. The mounting screws are the same as the thread of ②.

*6 The combination of metal bowl 2 is not available.

*7 For the pipe thread type: NPT. This product is for overseas use only according to the New Measurement Act. (The SI unit type is provided for use in Japan.)

*8 ○: For the pipe thread type: NPT only



AF-D Series Specific Product Precautions

Be sure to read this before handling the products. Refer to the back cover for safety instructions. For F.R.L. units precautions, refer to the “Handling Precautions for SMC Products” and the “Operation Manual” on the SMC website: <https://www.smcworld.com>

Design / Selection

Warning

- The bowl material of the standard air filter is polycarbonate. Do not use in an environment where they are exposed to or come in contact with organic solvents, chemicals, cutting oil, synthetic oil, alkali, and thread lock solutions.

Chemical resistance of polycarbonate or nylon bowl

Type	Chemical name	Application examples	Material	
			Polycarbonate	Nylon
Acid	Hydrochloric acid Sulfuric acid Phosphoric acid Chromic acid	Acid washing liquid for metals	△	×
Alkaline	Sodium hydroxide (Caustic soda) Potash Calcium hydroxide (Slack lime) Ammonia water Sodium carbonate	Degreasing of metals Industrial salts Water-soluble cutting oil	×	○
Inorganic salts	Sodium sulfide Potassium nitrate Sodium sulfate	—	×	△
Chlorine solvents	Carbon tetrachloride Chloroform Ethylene chloride Methylene chloride	Cleansing liquid for metals Printing ink Dilution	×	△
Aromatic series	Benzene Toluene Paint thinner	Coatings Dry cleaning	×	△
Ketone	Acetone Methyl ethyl ketone Cyclohexane	Photographic film Dry cleaning Textile industries	×	×
Alcohol	Ethyl alcohol IPA Methyl alcohol	Antifreeze Adhesives	△	×
Oil	Gasoline Kerosene	—	×	○
Ester	Phthalic acid dimethyl Phthalic acid diethyl Acetic acid	Synthetic oil Anti-rust additives	×	○
Ether	Methyl ether Ethyl ether	Brake oil additives	×	○
Amino	Methyl amino	Cutting oil Brake oil additives Rubber accelerator	×	×
Others	Thread-lock fluid Seawater Leak tester	—	×	△

○: Essentially safe △: Some effects may occur. ×: Effects will occur.

When the above factors are present, or there is some doubt, use a metal bowl for safety.

Maintenance

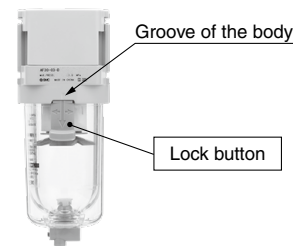
Warning

- Replace the element every 2 years or when the pressure drop becomes 0.1 MPa, whichever comes first, to prevent damage to the element.

Mounting / Adjustment

Caution

- When the bowl is installed on the air filter (AF30-D to AF60-D), install them so that the lock button lines up to the groove of the front (or the back) of the body to avoid drop or damage of the bowl.



AC

AF + AR + AL

AW + AL

AF + AR

AF + AFM + AR

AW + AFM

Attachments

AF



AFM / AFD

AR

AL

AW

Modular Type Mist Separator/Micro Mist Separator ***AFM/AFD Series***

Mist Separator AFM Series	Model	Port size	Filtration [μm]	Options
 <p>p. 70 to 75</p>	AFM20-D	1/8, 1/4	0.3	Bracket Float type auto drain
	AFM30-D	1/4, 3/8		
	AFM40-D	1/4, 3/8, 1/2		
	AFM40-06-D	3/4		
 <p>p. 70 to 75</p>	AFD20-D	1/8, 1/4	0.01	Bracket Float type auto drain
	AFD30-D	1/4, 3/8		
	AFD40-D	1/4, 3/8, 1/2		
	AFD40-06-D	3/4		

Mist Separator

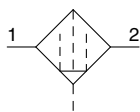
AFM20-D to AFM40-D

Micro Mist Separator

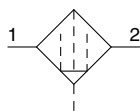
AFD20-D to AFD40-D



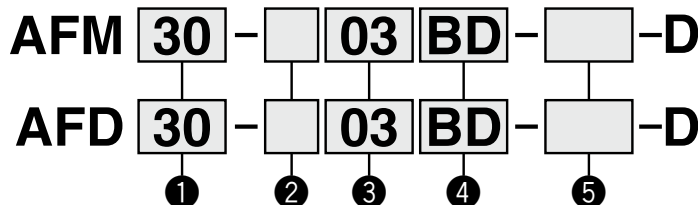
Symbol
Mist Separator



Micro Mist Separator



How to Order



· Option/Semi-standard: Select one each for a to f.
· Option/Semi-standard symbol:
When more than one specification is required, indicate in alphanumeric order.
Example) AFM30-03BD-R-D

	Symbol	Description	① Body size			
			20	30	40	
② Pipe thread type	Nil	Rc	●	●	●	
	N	NPT	●	●	●	
	F	G	●	●	●	
+						
③ Port size	01	1/8	●	—	—	
	02	1/4	●	●	●	
	03	3/8	—	●	●	
	04	1/2	—	—	●	
	06	3/4	—	—	●	
+						
④ Option	a Mounting	Nil	Without mounting option	●	●	●
		B*1	With bracket	●	●	●
	+					
	b Float type auto drain*2	Nil	Without auto drain	●	●	●
C*3		N.C. (Normally closed) Drain port is closed when pressure is not applied.	●	●	●	
D*4		N.O. (Normally open) Drain port is open when pressure is not applied.	—	●	●	
+						
⑤ Semi-standard	c Bowl*5	Nil	Polycarbonate bowl	●	●	●
		2	Metal bowl	●	●	●
		6	Nylon bowl	●	●	●
		8	Metal bowl with level gauge	—	●	●
		C	With bowl guard	●	—*6	—*6
		6C	With bowl guard (Nylon bowl)	●	—*7	—*7
	+					
	d Drain port*8	Nil	With drain cock	●	●	●
		J*9	Drain guide 1/8	●	—	—
			Drain guide 1/4	—	●	●
W*10	Drain cock with barb fitting	—	●	●		
+						
e Flow direction	Nil	Flow direction: Left to right	●	●	●	
	R	Flow direction: Right to left	●	●	●	
+						
f Unit	Nil	Unit on product label: MPa, °C	●	●	●	
	Z*11	Unit on product label: psi, °F	○*12	○*12	○*12	

*1 Option B is included in the package with the product but does not come assembled. The assembly consists of 2 types of the bracket and 2 mounting screws.
*2 The auto drain port is ø10 One-touch fitting (② Pipe thread type: Rc, G) or ø3/8" One-touch fitting (② Pipe thread type: NPT)
*3 When pressure is not applied, condensate which does not start the auto drain mechanism will be left in the bowl. Releasing the residual condensate before ending operations for the day is recommended.
*4 If the compressor is small (0.75 kW, discharge flow is less than 100 L/min (ANR)), air leakage from the drain cock may occur during the start of operations. N.C. type is recommended.
*5 Refer to chemical data on page 75 for chemical resistance of the bowl.
*6 A bowl guard is provided as standard equipment (polycarbonate).
*7 A bowl guard is provided as standard equipment (nylon).
*8 The combination of float type auto drain C and D is not available.
*9 Without a valve function. The mounting screws are the same as the thread of ②.
*10 The combination of metal bowl 2 and 8 is not available.
*11 For the pipe thread type: NPT. This product is for overseas use only according to the New Measurement Act. (The SI unit type is provided for use in Japan.)
*12 ○: For the pipe thread type: NPT only

AC

AF + AR + AL

AW + AL

AF + AR

AF + AFM + AR

AF + AFM

AW + AFM

Attachments

AF

AFM / AFD

AR

AL

AW

AFM20-D to AFM40-D Series

AFD20-D to AFD40-D Series

Standard Specifications

Model		AFM20-D/AFD20-D	AFM30-D/AFD30-D	AFM40-D/AFD40-D	AFM40-06-D/AFD40-06-D
Port size		1/8, 1/4	1/4, 3/8	1/4, 3/8, 1/2	3/4
Fluid		Air			
Ambient and fluid temperatures		-5 to 60°C (No freezing)			
Proof pressure		1.5 MPa			
Max. operating pressure		1.0 MPa			
Min. operating pressure		0.05 MPa			
Auto drain minimum operating pressure	N.C.	0.1 MPa		0.15 MPa	
	N.O.	—		0.1 MPa	
Max. flow capacity*1	[AFM]	200 L/min (ANR)	450 L/min (ANR)	1100 L/min (ANR)	
	[AFD]	120 L/min (ANR)	240 L/min (ANR)	600 L/min (ANR)	
Nominal filtration rating*2	[AFM]	0.3 µm (99.9% filtered particle size)			
	[AFD]	0.01 µm (99.9% filtered particle size)			
Outlet side oil mist concentration*3, *4	[AFM]	Max. 1.0 mg/m ³ (≈ 0.8 ppm)			
	[AFD]	Max. 0.1 mg/m ³ (Before saturated with oil 0.01 mg/m ³ or less ≈ 0.008 ppm)			
Compressed air purity class*5	[AFM]	ISO 8573-1:2010 [3 : 7 : 3]*6			
	[AFD]	ISO 8573-1:2010 [1 : 7 : 2]*7			
Drain capacity		8 cm ³	25 cm ³		45 cm ³
Bowl material		Polycarbonate			
Bowl guard		Semi-standard (Steel)		Standard (Polycarbonate)	
Weight		0.10 kg	0.18 kg	0.37 kg	0.40 kg

*1 Inlet pressure: 0.7 MPa. Flow at 20°C, atmospheric pressure, and 65% of the relative humidity. The maximum flow capacity varies depending on the inlet pressure. Keep the air flow within the maximum flow capacity to prevent an outflow of lubricant to the outlet side.

*2 For the following conditions in accordance with [Test condition: ISO 8573-4:2001, Test method ISO 12500-3:2009 compliant] in addition to the conditions above. Conditions: When a new element is used, and the flow capacity, inlet pressure, and the amount of solid bodies on the filter inlet side are stable.

*3 The outlet side oil mist concentration for the following conditions in accordance with [Test condition:

ISO 8573-2:2007, Test method ISO 12500-1:2007 compliant] in addition to the conditions above. Conditions: When a new element is used, the oil mist concentration on the filter inlet side is 10 mg/m³, and the flow capacity, inlet pressure, and the oil mist concentration on the filter inlet side are stable.

*4 The bowl seal and other O-rings are slightly lubricated.

*5 The compressed air purity class is indicated based on ISO 8573-1:2010 Compressed air – Part 1: Contaminants and purity classes. For details on this standard, refer to page 110.

*6 The compressed air quality class on the inlet side is [6 : 8 : 4].

*7 The compressed air quality class on the inlet side is [3 : 7 : 3].

Bowl Assembly/Part Nos.

Bowl material	Drain discharge mechanism	Drain port	Other	Model			
				AFM20-D/AFD20-D	AFM30-D/AFD30-D	AFM40-D/AFD40-D	AFM40-06-D/AFD40-06-D
Polycarbonate	Manual	With drain cock	—	C2SF-D	—	—	—
		Drain cock with barb fitting	With bowl guard	C2SF-C-D	C3SF-D	—	C4SF-D
		With drain guide (without valve function)	With bowl guard	—	C3SF-W-D	—	C4SF-W-D
	Automatic*1 (Auto drain)	Normally closed (N.C.)	—	C2SF□-J-D	—	—	—
		Normally open (N.O.)	With bowl guard	C2SF□-CJ-D	C3SF□-J-D	—	C4SF□-J-D
		Normally open (N.O.)	With bowl guard	AD27-D	—	—	—
Nylon	Manual	With drain cock	—	C2SF-6-A	—	—	—
		Drain cock with barb fitting	With bowl guard	C2SF-6C-A	C3SF-6-A	—	C4SF-6-A
		With drain guide (without valve function)	With bowl guard	—	C3SF-6W-A	—	C4SF-6W-A
	Automatic*1 (Auto drain)	Normally closed (N.C.)	—	C2SF□-6J-A	—	—	—
		Normally open (N.O.)	With bowl guard	C2SF□-6CJ-A	C3SF□-6J-A	—	C4SF□-6J-A
		Normally open (N.O.)	With bowl guard	AD27-6-A	—	—	—
Metal	Manual	With drain cock	—	C2SF-2-A	C3SF-2-A	—	C4SF-2-A
		With drain guide (without valve function)	With level gauge	—	C3LF-8-A	—	C4LF-8-A
		With drain guide (without valve function)	With level gauge	C2SF□-2J-A	C3SF□-2J-A	—	C4SF□-2J-A
	Automatic*1 (Auto drain)	Normally closed (N.C.)	—	C3LF□-8J-A	—	—	C4LF□-8J-A
		Normally open (N.O.)	With level gauge	AD27-2-A	AD37□-2-A	—	AD47□-2-A
		Normally open (N.O.)	With level gauge	—	AD37□-8-A	—	AD47□-8-A
Normally open (N.O.)	With level gauge	—	AD38□-2-A	—	AD48□-2-A		
Normally open (N.O.)	With level gauge	—	AD38□-8-A	—	AD48□-8-A		

*1 The bowl assembly comes with a bowl seal. □ in bowl assembly part numbers indicates a pipe thread type (applicable tubing for auto drain). No indication is necessary for Rc thread; however, indicate N for NPT thread, and F for G thread. (For auto drain, Nil: ø10, N: ø3/8") Please contact SMC separately for psi and °F unit display specifications.

Option/Part Nos.

Optional specifications	Model			
	AFM20-D/AFD20-D	AFM30-D/AFD30-D	AFM40-D/AFD40-D	AFM40-06-D/AFD40-06-D
Bracket assembly*1	AF24P-070AS	AF34P-070AS	AF44P-070AS	AF49P-070AS
Auto drain	Refer to "Bowl Assembly/Part Nos."			

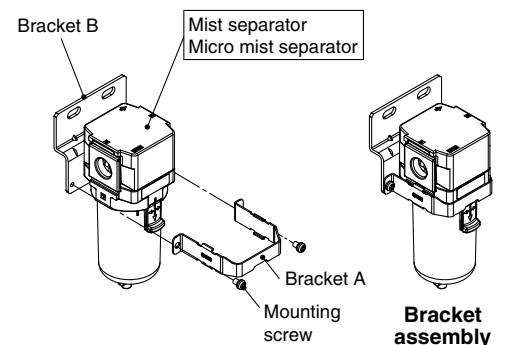
*1 The assembly consists of a bracket A/B and 2 mounting screws.

Replacement Parts

Description	Part no.			
	AFM20-D/AFD20-D	AFM30-D/AFD30-D	AFM40-D/AFD40-D	AFM40-06-D/AFD40-06-D
Element assembly	AFM20P-060AS	AFM30P-060AS	AFM40P-060AS	
	AFD20P-060AS	AFD30P-060AS	AFD40P-060AS	
Bowl seal	C2SFP-260S	C32FP-260S	C42FP-260S	
Bowl assembly*1, *2	Refer to "Bowl Assembly/Part Nos."			

*1 The bowl assembly comes with a bowl seal.

*2 Please contact SMC separately for psi and °F unit display specifications.



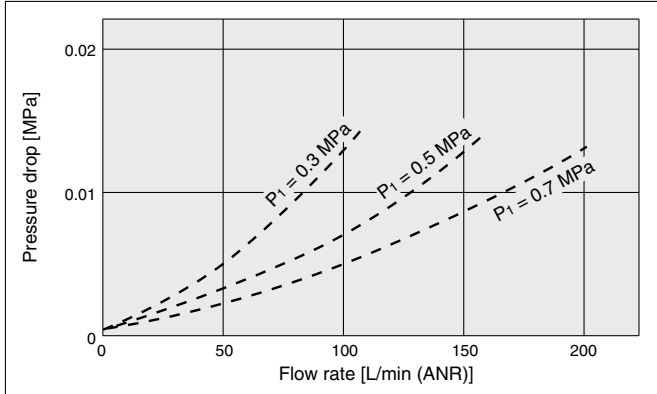
Mist Separator **AFM20-D to AFM40-D Series**

Micro Mist Separator **AFD20-D to AFD40-D Series**

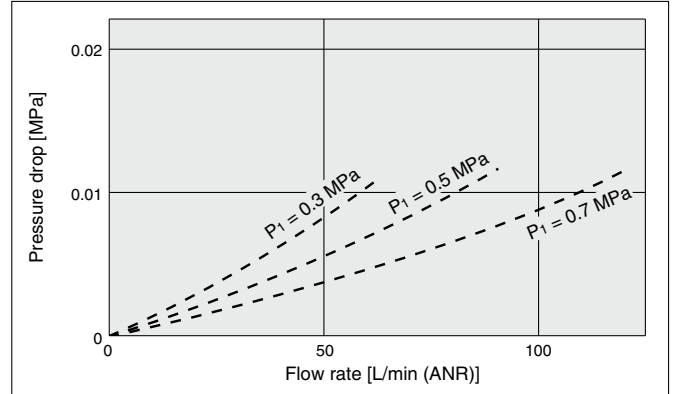
Flow Rate Characteristics (Representative values)

----- Initial state

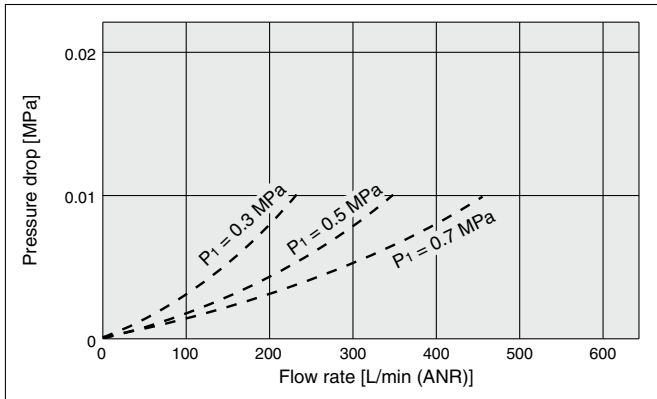
AFM20-D



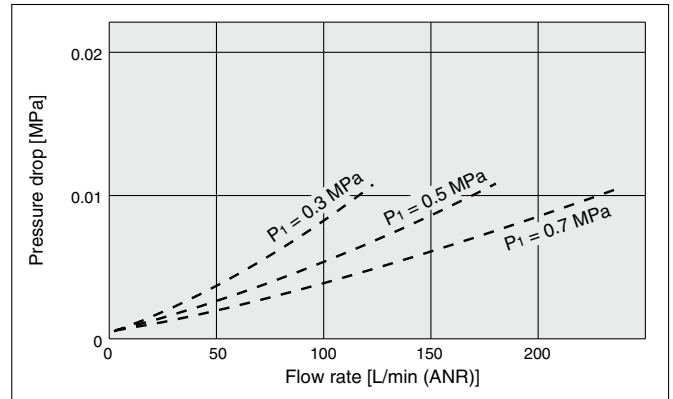
AFD20-D



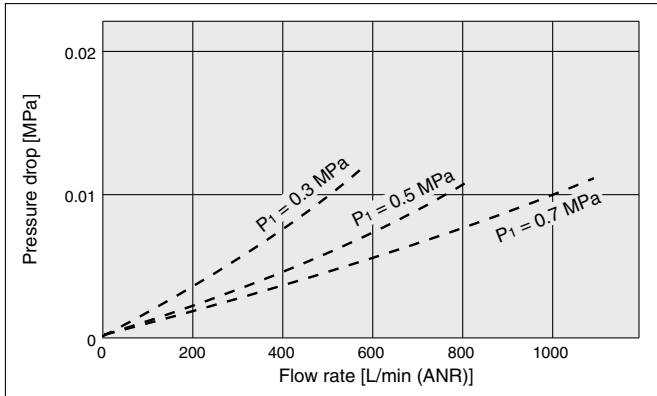
AFM30-D



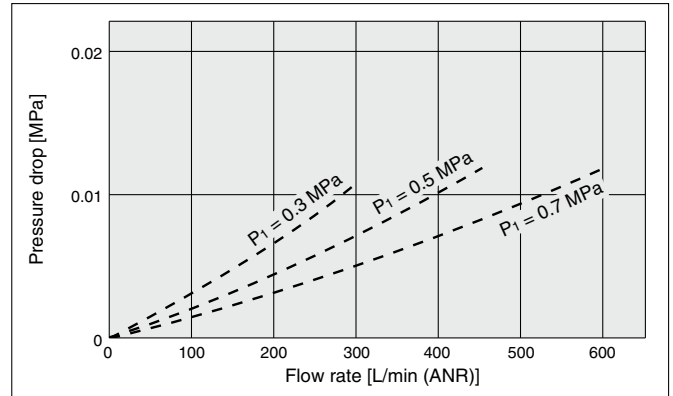
AFD30-D



AFM40-D



AFD40-D



AC

AF + AR + AL

AW + AL

AF + AR

AF + AFM + AR

AW + AFM

Attachments

AF

AFM / AFD

AR

AL

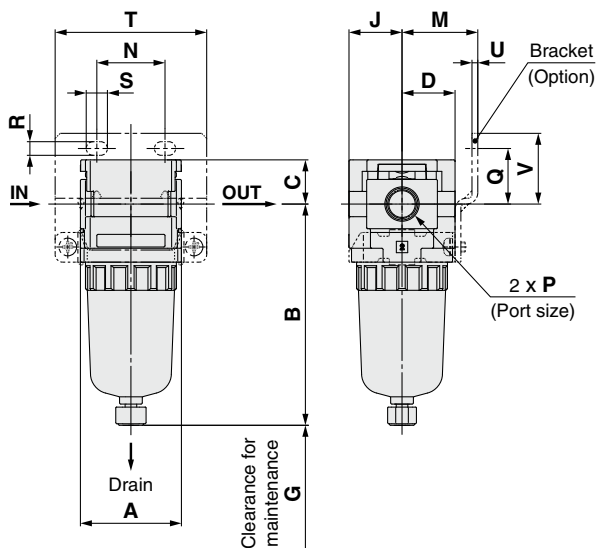
AW

AFM20-D to AFM40-D Series

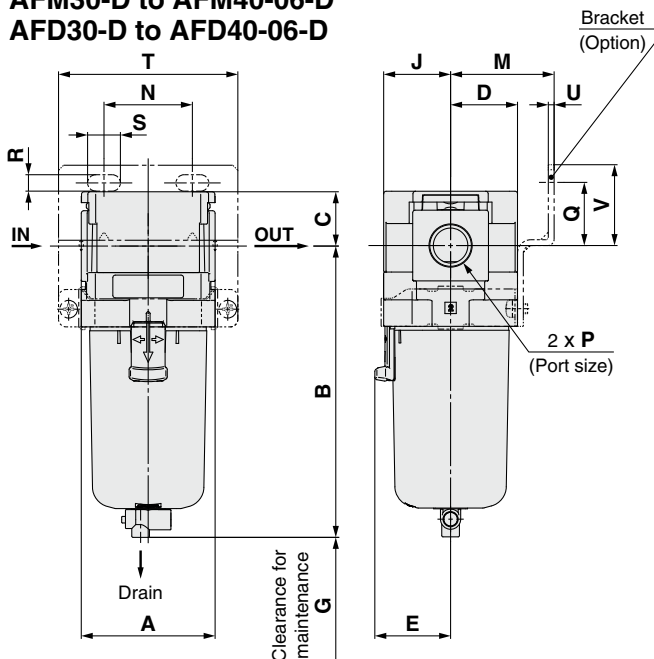
AFD20-D to AFD40-D Series

Dimensions

AFM20-D
AFD20-D



AFM30-D to AFM40-06-D
AFD30-D to AFD40-06-D



Applicable model	Optional specifications	Semi-standard					
	With auto drain	PC/PA bowl		Metal bowl		Metal bowl with level gauge	
		Drain cock with barb fitting	With drain guide	With drain cock	With drain guide	With drain cock	With drain guide
AFM20-D AFD20-D	 M5 x 0.8		 1/8 Width across flats 14	 1/8 Width across flats 14			
AFM30-D to AFM40-06-D AFD30-D to AFD40-06-D	 N.O.: Black N.C.: Gray Thread type/Rc, G: ø10 One-touch fitting Thread type/NPT: ø3/8" One-touch fitting	 Barb fitting applicable tubing: T0604	 1/4 Width across flats 17	 1/4 Width across flats 17	 1/4 Width across flats 17	 1/4 Width across flats 17	 1/4 Width across flats 17

Model	Standard specifications																Optional specifications		
																	Bracket mount		With auto drain
	P	A	B	C	D	E	G	J	M	N	Q	R	S	T	U	V	B		
AFM20-D/AFD20-D	1/8, 1/4	40	87.6	17.5	21	—	40	21	30	27	22	5.4	8.4	60	2.3	28	104.9		
AFM30-D/AFD30-D	1/4, 3/8	53	115.4	21.5	26.5	30	50	26.5	41	35	25	6.5	13	71	2.3	32	157.1		
AFM40-D/AFD40-D	1/4, 3/8, 1/2	70	147.1	25.5	35.5	38.4	75	35.5	50	52	30	8.5	12.5	88	2.3	39	186.9		
AFM40-06-D/AFD40-06-D	3/4	75	149.1	27	35.5	38.4	75	35.5	50	52	34	8.5	12.5	88	2.3	43	188.9		

Model	Semi-standard specifications					
	PC/PA bowl		Metal bowl		Metal bowl with level gauge	
	With barb fitting	With drain guide	With drain cock	With drain guide	With drain cock	With drain guide
	B	B	B	B	B	B
AFM20-D/AFD20-D	—	91.4	87.4	93.9	—	—
AFM30-D/AFD30-D	123.9	122.2	117.8	122.3	137.8	142.3
AFM40-D/AFD40-D	155.6	153.9	149.5	154	169.5	174
AFM40-06-D/AFD40-06-D	157.6	155.9	151.5	156	171.5	176

Mist Separator/AFM20-D to AFM40-06-D Micro Mist Separator/AFD20-D to AFD40-06-D Made to Order

Please contact SMC for detailed dimensions, specifications, and lead times.



① Long Bowl

Drain capacity is greater than that of standard models.

Applicable Models/Drain Capacity

Model	AFM20-D/AFD20-D	AFM30-D/AFD30-D	AFM40-D/AFD40-D	AFM40-06-D/AFD40-06-D
Port size	1/8, 1/4	1/4, 3/8	1/4, 3/8, 1/2	3/4
Drain capacity [cm ³]	19	43	88	
B dimension [mm] ^{*1}	108.1	137.4	167.2	169.2

*1 For polycarbonate bowls. Please contact SMC for other bowl materials.

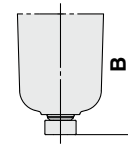
AFM **30** - **03** - **D** - **X64**

AFD **30** - **03** - **D** - **X64**

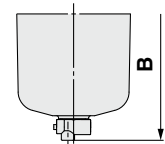
① ② ③ ④ ⑤

• Long bowl

AFM20-D
AFD20-D



AFM30 to 40-06-D
AFD30 to 40-06-D



- Semi-standard: Select one each for a to d.
 - Option/Semi-standard symbol: When more than one specification is required, indicate in alphanumeric order.
- Example) AFM30-03B-2R-D-X64

		Symbol	Description	① Body size			
				20	30	40	
②	Pipe thread type	Nil	Rc	●	●	●	
		N	NPT	●	●	●	
		F	G	●	●	●	
		+					
③	Port size	01	1/8	●	—	—	
		02	1/4	●	●	●	
		03	3/8	—	●	●	
		04	1/2	—	—	●	
		06	3/4	—	—	●	
		+					
④	Option (Mounting)	Nil	Without mounting option	●	●	●	
		B ^{*1}	With bracket	●	●	●	
		+					
⑤	a	Bowl ^{*2}	Nil	Polycarbonate bowl	●	●	●
			2	Metal bowl	●	●	●
			6	Nylon bowl	●	●	●
			C	With bowl guard	●	— ^{*3}	— ^{*3}
			6C	With bowl guard (Nylon bowl)	●	— ^{*4}	— ^{*4}
			+				
	b	Drain port	Nil	With drain cock	●	●	●
			J ^{*5}	Drain guide 1/8	●	—	—
			W ^{*6}	Drain cock with barb fitting	—	●	●
			+				
	c	Flow direction	Nil	Flow direction: Left to right	●	●	●
			R	Flow direction: Right to left	●	●	●
			+				
	d	Unit	Nil	Unit on product label: MPa, °C	●	●	●
			Z ^{*7}	Unit on product label: psi, °F	○ ^{*8}	○ ^{*8}	○ ^{*8}

*1 Option B is included in the package with the product but does not come assembled. The assembly consists of 2 types of the bracket and 2 mounting screws.

*2 Refer to chemical data on page 75 for chemical resistance of the bowl.

*3 A bowl guard is provided as standard equipment (polycarbonate).

*4 A bowl guard is provided as standard equipment (nylon).

*5 Without a valve function. The mounting screws are the same as the thread of ②.

*6 The combination of metal bowl 2 is not available.

*7 For the pipe thread type: NPT. This product is for overseas use only according to the New Measurement Act. (The SI unit type is provided for use in Japan.)

*8 ○: For the pipe thread type: NPT only



AFM-D/AFD-D Series Specific Product Precautions

Be sure to read this before handling the products. Refer to the back cover for safety instructions. For F.R.L. units precautions, refer to the “Handling Precautions for SMC Products” and the “Operation Manual” on the SMC website: <https://www.smcworld.com>

Design / Selection

Warning

1. The bowl material of the standard mist separator and micro mist separator is polycarbonate. Do not use in an environment where they are exposed to or come in contact with organic solvents, chemicals, cutting oil, synthetic oil, alkali, and thread lock solutions.

Chemical resistance of polycarbonate or nylon bowl

Type	Chemical name	Application examples	Material	
			Polycarbonate	Nylon
Acid	Hydrochloric acid Sulfuric acid Phosphoric acid Chromic acid	Acid washing liquid for metals	△	×
Alkaline	Sodium hydroxide (Caustic soda) Potash Calcium hydroxide (Slack lime) Ammonia water Sodium carbonate	Degreasing of metals Industrial salts Water-soluble cutting oil	×	○
Inorganic salts	Sodium sulfide Potassium nitrate Sodium sulfate	—	×	△
Chlorine solvents	Carbon tetrachloride Chloroform Ethylene chloride Methylene chloride	Cleansing liquid for metals Printing ink Dilution	×	△
Aromatic series	Benzene Toluene Paint thinner	Coatings Dry cleaning	×	△
Ketone	Acetone Methyl ethyl ketone Cyclohexane	Photographic film Dry cleaning Textile industries	×	×
Alcohol	Ethyl alcohol IPA Methyl alcohol	Antifreeze Adhesives	△	×
Oil	Gasoline Kerosene	—	×	○
Ester	Phthalic acid dimethyl Phthalic acid diethyl Acetic acid	Synthetic oil Anti-rust additives	×	○
Ether	Methyl ether Ethyl ether	Brake oil additives	×	○
Amino	Methyl amino	Cutting oil Brake oil additives Rubber accelerator	×	×
Others	Thread-lock fluid Seawater Leak tester	—	×	△

○: Essentially safe △: Some effects may occur. ×: Effects will occur.

When the above factors are present, or there is some doubt, use a metal bowl for safety.

Air Supply

Caution

1. Install an air filter (AF series) as a pre-filter on the inlet side of the mist separator to prevent premature clogging.
2. Install a mist separator (AFM series) as a pre-filter on the inlet side of the micro mist separator to prevent premature clogging.
3. Do not install on the inlet side of the dryer as this can cause premature clogging of the element.

Maintenance

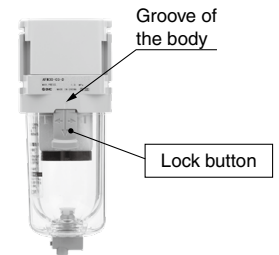
Warning

1. Replace the element every 2 years or when the pressure drop becomes 0.1 MPa, whichever comes first, to prevent damage to the element.

Mounting / Adjustment

Caution

1. When the bowl is installed on the mist separator (AFM30-D/AFM40-D), or micro mist separator (AFD30-D/AFD40-D), install them so that the lock button lines up to the groove of the front (or the back) of the body to avoid drop or damage of the bowl.



Design

Caution

1. Design the system so that the mist separator or micro mist separator is installed in a pulsation-free location. The difference between internal and external pressure inside the element should be kept within 0.1 MPa, as exceeding this value could cause damage.

Selection

Caution

1. Do not allow air flow that exceeds the rated flow. If the air flow is allowed outside the range of the rated flow even momentarily, drainage and lubricant may splash at the outlet side or cause damage to the component.
2. Do not use in a low pressure application (such as a blower). An F.R.L. unit has its own minimum operating pressure depending on the equipment and is designed specifically to function with compressed air. If used below the minimum operating pressure, a loss of performance and malfunction can occur. Please contact SMC if an application under such conditions cannot be avoided.

Modular Type Regulator *AR Series*

Regulator AR Series



p. 77 to 86

Model	Port size	Set pressure	Options
AR20(K)-D	1/8, 1/4	0.05 to 0.85 MPa 0.02 to 0.2 MPa	Bracket Set nut (for panel mount) Square embedded type pressure gauge Digital pressure switch Round type pressure gauge
AR30(K)-D	1/4, 3/8		
AR40(K)-D	1/4, 3/8, 1/2		
AR40(K)-06-D	3/4		Bracket Square embedded type pressure gauge Digital pressure switch Round type pressure gauge
AR50(K)-D	3/4, 1		
AR60(K)-D	1		

AC

AF + AR + AL

AW + AL

AF + AR

AF + AFM + AR

AW + AFM

Attachments

AF

AFM / AFD

AR

AL

AW

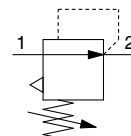
Regulator

AR20-D to AR60-D

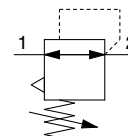
Regulator with Backflow Function

AR20K-D to AR60K-D

Symbol
Regulator



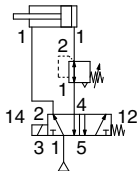
Regulator with Backflow Function



- Models with the backflow function include a mechanism which allows for the air pressure in the outlet side to be released to the inlet side.

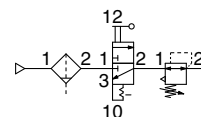
Example 1)

When the pressure in the rear and the front of the cylinder differs:



Example 2)

When the air supply is cut off and releasing the inlet pressure to the atmosphere, the residual pressure release of the outlet side can be ensured for a safety purpose.



How to Order

AR **30** **03** **BE** - **D**

① ② ③ ④ ⑤ ⑥

- Option/Semi-standard: Select one each for a to g.
 - Option/Semi-standard symbol: When more than one specification is required, indicate in alphanumeric order.
- Example) AR30K-03BE-1NR-D

	Symbol	Description	① Body size						
			20	30	40	50	60		
② With backflow function	Nil	Without backflow function	●	●	●	●	●		
	K*1	With backflow function	●	●	●	●	●		
③ Pipe thread type	+								
	Nil	Rc	●	●	●	●	●		
	N	NPT	●	●	●	●	●		
④ Port size	F	G	●	●	●	●	●		
	+								
	01	1/8	●	—	—	—	—		
	02	1/4	●	●	●	—	—		
	03	3/8	—	●	●	—	—		
	04	1/2	—	—	●	—	—		
⑤ Option*2	a Mounting	06	3/4	—	—	●	●	—	
		10	1	—	—	—	●	●	
		+							
	b Pressure gauge*4	Nil	Without mounting option	●	●	●	●	●	
		B*3	With bracket	●	●	●	●	●	
		H	With set nut (for panel mount)	●	●	●	—	—	
		+							
		Pressure gauge*4	Nil	Without pressure gauge	●	●	●	●	●
			E	Square embedded type pressure gauge (with limit indicator)	●	●	●	●	●
			G	Round type pressure gauge (with limit indicator)	●	●	●	●	●
			M	Round type pressure gauge (with color zone)	●	●	●	●	●
		Digital pressure switch*5	E1	Output: NPN output, Electrical entry: Wiring bottom entry	●	●	●	●	●
E2	Output: NPN output, Electrical entry: Wiring top entry		●	●	●	●	●		
E3	Output: PNP output, Electrical entry: Wiring bottom entry		●	●	●	●	●		
E4	Output: PNP output, Electrical entry: Wiring top entry		●	●	●	●	●		

Regulator **AR20-D to AR60-D Series**

Regulator with Backflow Function **AR20K-D to AR60K-D Series**



AR30-D

- AC
- AF + AR + AL
- AF + AL
- AW + AL
- AF + AR
- AF + AR + AFM
- AW + AFM
- Attachments
- AF
- AFM / AFD
- AR
- AL
- AW

		Symbol	Description	①							
				Body size							
				20	30	40	50	60			
6	Semi-standard	c	Set pressure*6	Nil	0.05 to 0.85 MPa setting	●	●	●	●	●	
				1	0.02 to 0.2 MPa setting	●	●	●	●	●	
		+									
		d	Exhaust mechanism	Nil	Relieving type	●	●	●	●	●	
				N	Non-relieving type	●	●	●	●	●	
		+									
		e	Flow direction	Nil	Flow direction: Left to right	●	●	●	●	●	
				R	Flow direction: Right to left	●	●	●	●	●	
		+									
		f	Knob	Nil	Downward	●	●	●	●	●	
				Y	Upward	●	●	●	●	●	
		+									
		g	Unit	Nil	Unit on product label: MPa, Pressure gauge in SI units: MPa	●	●	●	●	●	
				Z*7	Unit on product label: psi, Pressure gauge: MPa/psi dual scale	○*9	○*9	○*9	○*9	○*9	
				ZA*8	Digital pressure switch: With unit selection function	△*10	△*10	△*10	△*10	△*10	

- *1 Set the inlet pressure to at least 0.05 MPa higher than the set pressure.
- *2 Options B, G, H, and M are not assembled and supplied loose at the time of shipment.
- *3 The assembly consists of a bracket and set nuts (applicable to the AR20(K)-D to AR40(K)-D).
For the AR50(K)-D and AR60(K)-D, the assembly consists of 2 types of the bracket and 2 mounting screws.
- *4 When the pressure gauge is attached, a 1.0 MPa pressure gauge will be fitted for standard (0.85 MPa) type. 0.4 MPa pressure gauge for 0.2 MPa type.
- *5 When choosing with H (panel mount), the installation space for lead wires will not be secured. In this case, select "wiring top entry" for the electrical entry. (Select "wiring bottom entry" when the semi-standard Y is chosen simultaneously.)
- *6 Pressure can be set higher than the specification pressure in some cases, but use pressure within the specification range.
- *7 For the pipe thread type: NPT
This product is for overseas use only according to the New Measurement Act. (The SI unit type is provided for use in Japan.) Cannot be used with M: Round type pressure gauge (with color zone). Available by request for special. The digital pressure switch will be equipped with the unit selection function, setting to psi initially.
- *8 For options: E1, E2, E3, E4
This product is for overseas use only according to the New Measurement Act. (The SI unit type is provided for use in Japan.)
- *9 ○: For the pipe thread type: NPT only
- *10 △: Select with options: E1, E2, E3, E4.

AR20-D to AR60-D Series

AR20K-D to AR60K-D Series

Standard Specifications

Model	AR20(K)-D	AR30(K)-D	AR40(K)-D	AR40(K)-06-D	AR50(K)-D	AR60(K)-D
Port size	1/8, 1/4	1/4, 3/8	1/4, 3/8, 1/2	3/4	3/4, 1	1
Pressure gauge port size*1	1/8					
Fluid	Air					
Ambient and fluid temperatures*2	-5 to 60°C (No freezing)					
Proof pressure	1.5 MPa					
Max. operating pressure	1.0 MPa					
Set pressure range	0.05 to 0.85 MPa					
Construction	Relieving type					
Weight	0.14 kg	0.27 kg	0.48 kg	0.51 kg	1.13 kg	1.25 kg

*1 Pressure gauge connection threads are not available for F.R.L. unit with a square embedded type pressure gauge or with a digital pressure switch.

*2 -5 to 50°C for the products with the digital pressure switch

Option/Part Nos.

Optional specifications			Model					
			AR20(K)-D	AR30(K)-D	AR40(K)-D	AR40(K)-06-D	AR50(K)-D	AR60(K)-D
Bracket assembly*1			AR23P-270AS	AR33P-270AS	AR43P-270AS		AR54P-270AS	
Set nut			AR23P-260S	AR33P-260S	AR43P-260S		—*2	
Pressure gauge*3	Round type	Standard	G36-10-□01			G46-10-□01		
		0.02 to 0.2 MPa setting	G36-4-□01			G46-4-□01		
	Round type (with color zone)	Standard	G36-10-□01-L			G46-10-□01-L		
		0.02 to 0.2 MPa setting	G36-4-□01-L			G46-4-□01-L		
	Square embedded type*4	Standard	GC3-10AS-D [136150A (Pressure gauge cover only)]					
		0.02 to 0.2 MPa setting	GC3-4AS-D [136150A (Pressure gauge cover only)]					
Digital pressure switch	NPN output, Wiring bottom entry		ISE35-N-25-MLA-X523 [ISE35-N-25-M (Switch body only)]*5					
	NPN output, Wiring top entry		ISE35-R-25-MLA-X523 [ISE35-R-25-M (Switch body only)]*5					
	PNP output, Wiring bottom entry		ISE35-N-65-MLA-X523 [ISE35-N-65-M (Switch body only)]*5					
	PNP output, Wiring top entry		ISE35-R-65-MLA-X523 [ISE35-R-65-M (Switch body only)]*5					

*1 The assembly consists of a bracket and set nuts. For the AR50(K)-D and AR60(K)-D, the assembly consists of a bracket A/B and 2 mounting screws.

*2 Please contact SMC regarding the set nuts for the AR50(K)-D and AR60(K)-D.

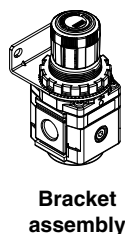
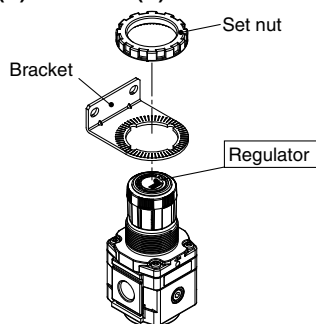
*3 □ in part numbers for a round pressure gauge indicates a pipe thread type. No indication is necessary for R; however, indicate N for NPT. Please contact SMC regarding the pressure gauge supply for both MPa and psi unit specifications.

*4 Including one O-ring and 2 mounting screws. []: Pressure gauge cover only

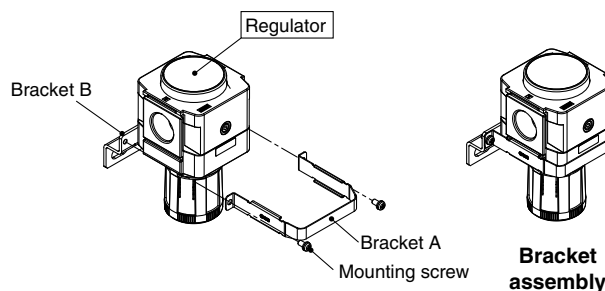
*5 In addition to the pressure switch body, lead wire with connector (2 m), adapter, lock pin, O-ring (1 pc.), mounting screws (2 pcs.) are attached.

[]: Switch body only (For the digital pressure switch specifications, refer to the [Web Catalog](#).)

AR20(K)-D to AR40(K)-06-D



AR50(K)-D/AR60(K)-D



Replacement Parts

Description	Part no.					
	AR20(K)-D	AR30(K)-D	AR40(K)-D	AR40(K)-06-D	AR50(K)-D	AR60(K)-D
Valve assembly	AR24P-060AS	AR34P-060AS	AR44P-060AS	AR49P-060AS	AR54P-060AS	AR64P-060AS
Diaphragm assembly	Relieving type	AR24P-150AS	AR34P-150AS	AR44P-150AS		AR54P-150AS
	Non-relieving type	AR24P-150AS-N	AR34P-150AS-N	AR44P-150AS-N		AR54P-150AS-N
Valve guide assembly	AR24P-050AS	AR34P-050AS	AR44P-050AS		AR54P-050AS	
Check valve assembly*1	AR24KP-020AS					

*1 The check valve assembly is applicable for a regulator with backflow function (AR20K-D to AR60K-D) only. The assembly consists of a check valve cover, check valve body assembly, and 2 mounting screws.

Regulator **AR20-D to AR60-D Series**

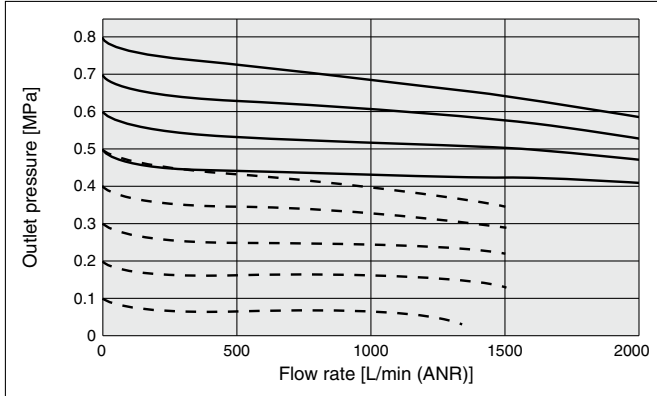
Regulator with Backflow Function **AR20K-D to AR60K-D Series**

Flow Rate Characteristics (Representative values)

— Inlet pressure: 1.0 MPa
 - - - Inlet pressure: 0.7 MPa

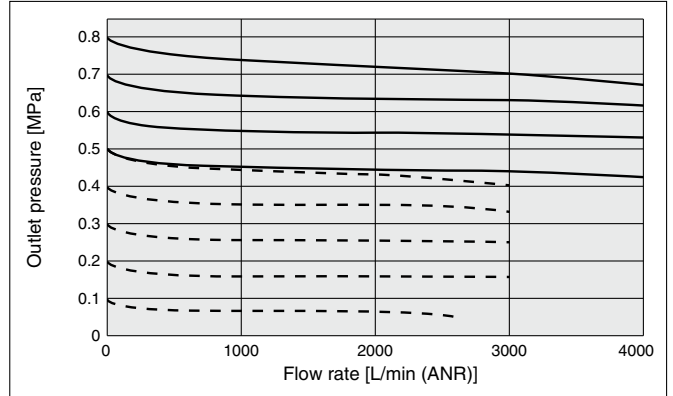
AR20(K)-D

Rc1/4



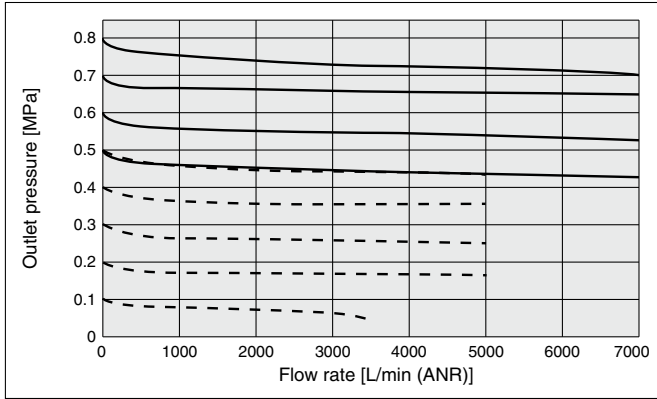
AR30(K)-D

Rc3/8



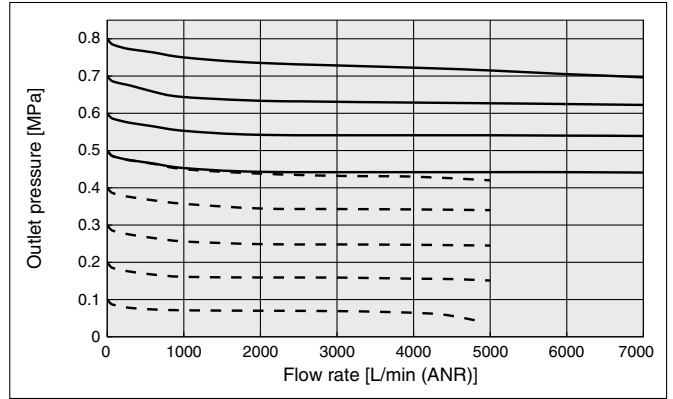
AR40(K)-D

Rc1/2



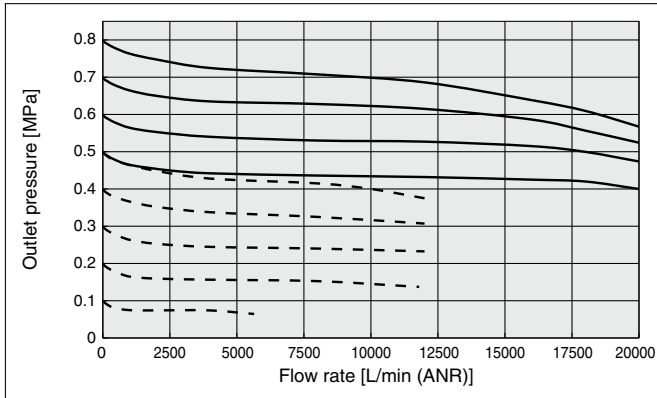
AR40(K)-06-D

Rc3/4



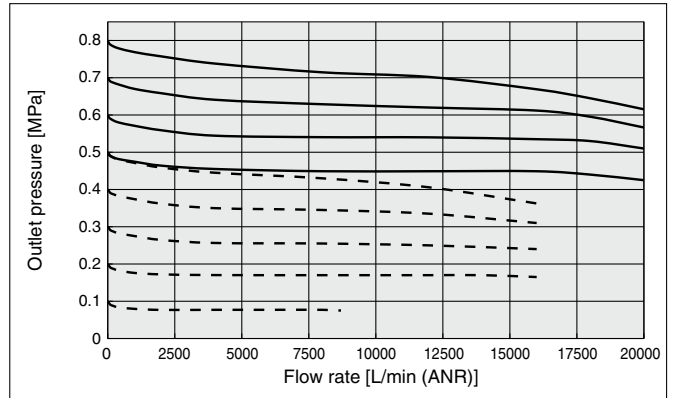
AR50(K)-D

Rc1



AR60(K)-D

Rc1



- AC
- AF + AR + AL
- AW + AL
- AF + AR
- AF + AFM + AR
- AW + AFM
- Attachments
- AF
- AFM / AFD
- AR
- AL
- AW

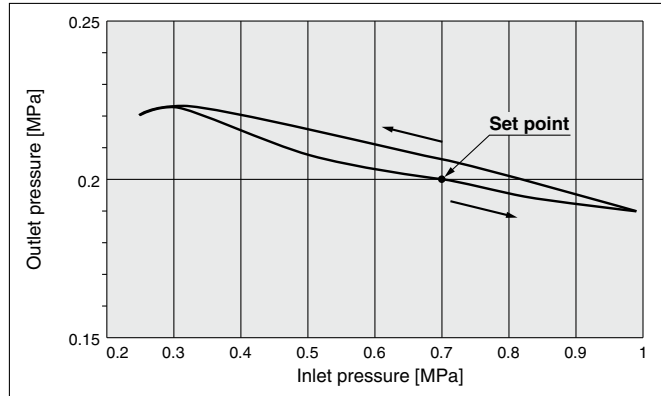
AR20-D to AR60-D Series

AR20K-D to AR60K-D Series

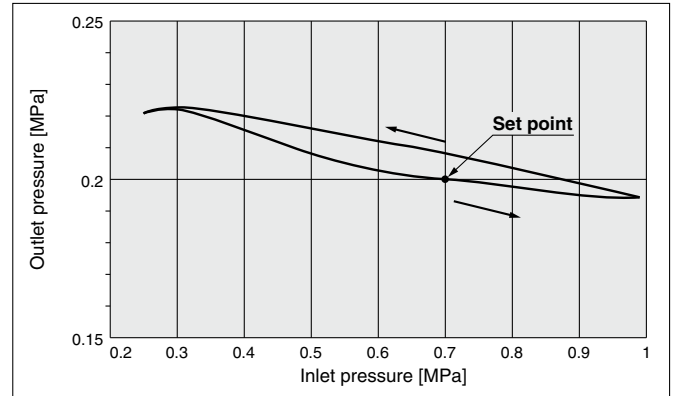
Pressure Characteristics (Representative values)

Conditions: Inlet pressure of 0.7 MPa, Outlet pressure of 0.2 MPa, Flow rate 20 L/min (ANR)

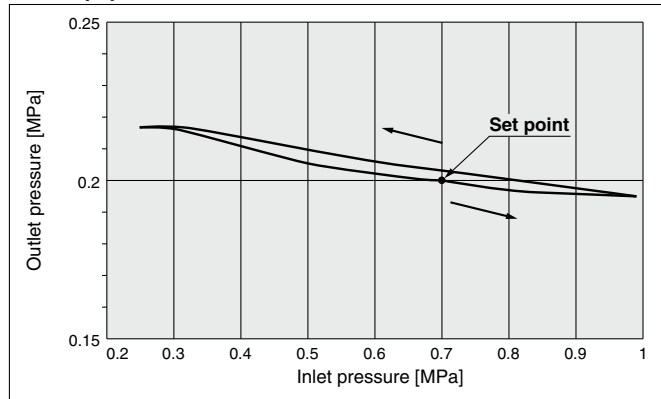
AR20(K)-D



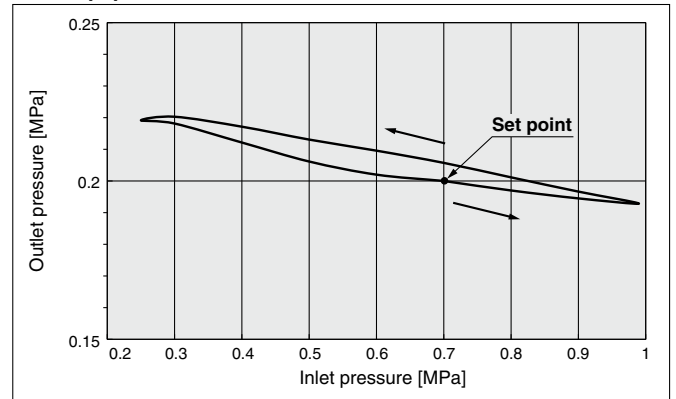
AR30(K)-D



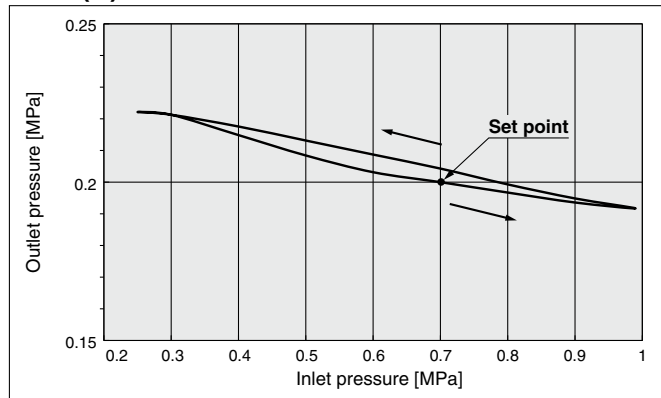
AR40(K)-D



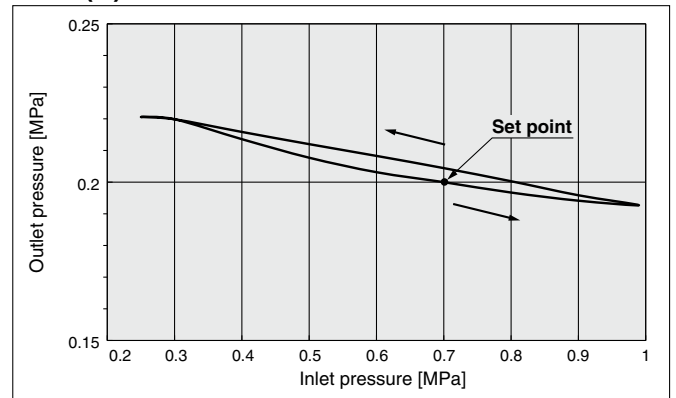
AR40(K)-06-D



AR50(K)-D



AR60(K)-D

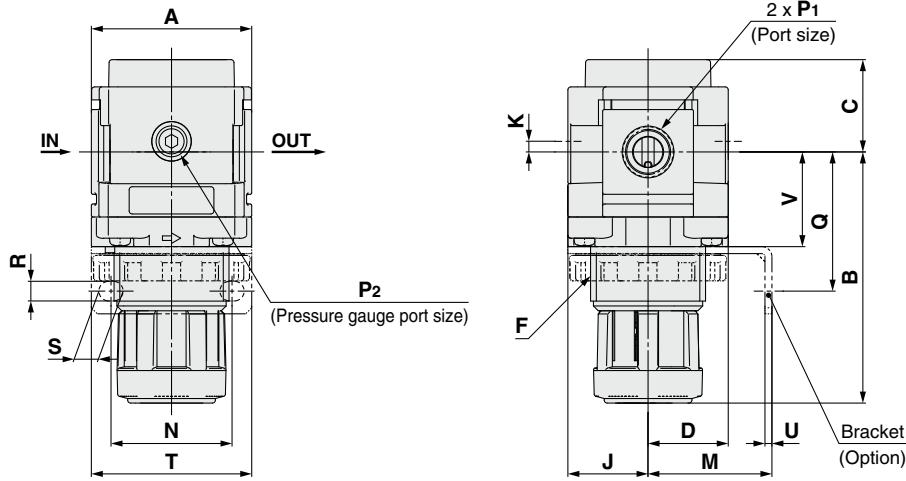


Regulator **AR20-D to AR60-D Series**

Regulator with Backflow Function **AR20K-D to AR60K-D Series**

Dimensions

Standard (Round Type Pressure Gauge) AR20-D to AR40-06-D



Panel cutout dimensions

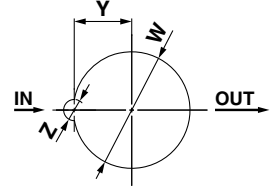
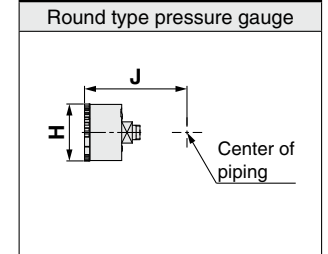
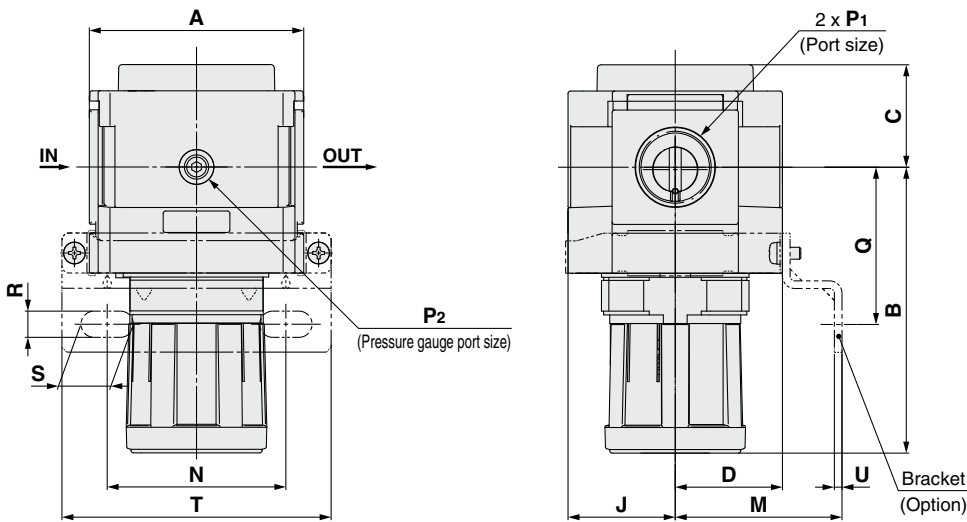


Plate thickness
AR20-D to AR30-D : Max. 3.5
AR40-D to AR40-06-D: Max. 5

AR50-D to AR60-D



Model	Standard specifications									Optional specifications					
	P ₁	P ₂	A	B*1	C	D	F	J	K	H	J	H	J	H	J
AR20-D	1/8, 1/4	1/8	40	66.8	26.5	21	M28 x 1	21	2	ø37.5	57.5	ø37.5	58.5	ø37.5	58.5
AR30-D	1/4, 3/8	1/8	53	86.5	30.5	26.5	M38 x 1.5	26.5	3.5	ø37.5	63	ø37.5	64	ø37.5	64
AR40-D	1/4, 3/8, 1/2	1/8	70	91.5	35.5	35.5	M42 x 1.5	35.5	—	ø42.5	73	ø42.5	73	ø42.5	73
AR40-06-D	3/4	1/8	75	93	35.5	35.5	M42 x 1.5	35.5	—	ø42.5	73	ø42.5	73	ø42.5	73
AR50-D	3/4, 1	1/8	90	125	43	45	—	45	—	ø42.5	82.5	ø42.5	82.5	ø42.5	82.5
AR60-D	1	1/8	95	155	45	45	—	45	—	ø42.5	82.5	ø42.5	82.5	ø42.5	82.5

Model	Optional specifications										
	Bracket mount							Panel mount			
	M	N	Q	R	S	T	U	V	W	Y	Z
AR20-D	30	34	43.9	5.4	15.4	55	2.3	24.7	28.5	14	6
AR30-D	41	40	46	6.5	8	53	2.3	31.3	38.5	19	7
AR40-D	50	54	54	8.5	10.5	70	2.3	35.5	42.5	21	7
AR40-06-D	50	54	55.5	8.5	10.5	70	2.3	37	42.5	21	7
AR50-D	70	75	66	11	22	113	3.2	—	—	—	—
AR60-D	70	75	66	11	22	113	3.2	—	—	—	—

*1 The dimension of B is the length when the regulator knob is unlocked.

AC
AF + AR + AL
AW + AL
AF + AR
AF + AFM + AR
AW + AFM
Attachments
AF
AFM / AFD
AR
AL
AW

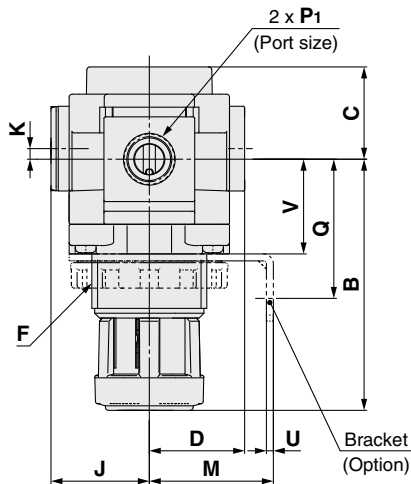
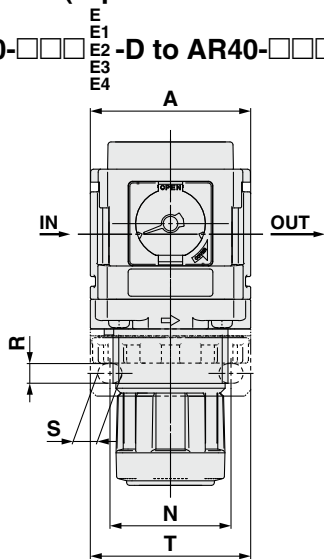
AR20-D to AR60-D Series

AR20K-D to AR60K-D Series

Dimensions

Standard (Square Embedded Type Pressure Gauge, Digital Pressure Switch)

AR20-□□□□-D to AR40-□□□□-D



Panel cutout dimensions

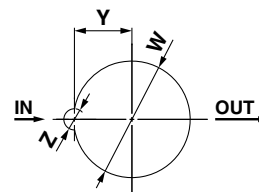
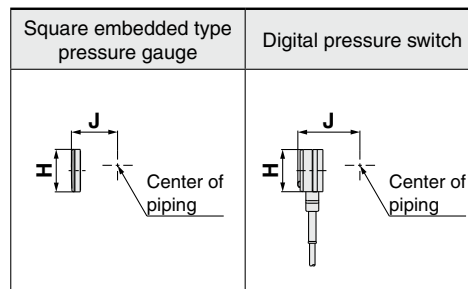
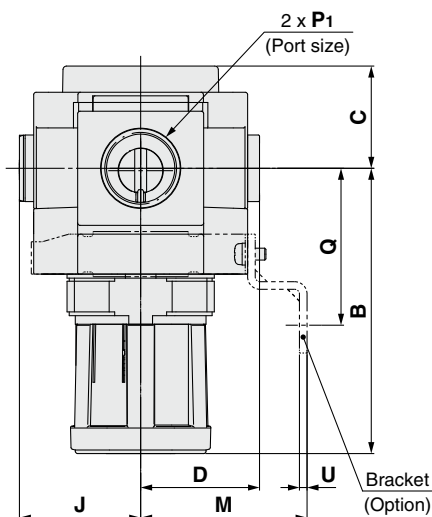
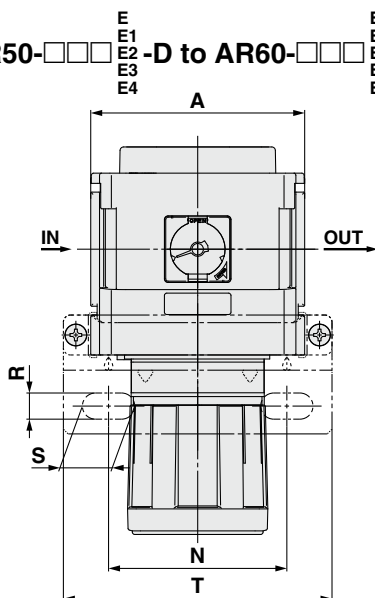


Plate thickness
 AR20-D to AR30-D : Max. 3.5
 AR40-D to AR40-06-D: Max. 5

AR50-□□□□-D to AR60-□□□□-D



Model	Standard specifications							Optional specifications			
	P ₁	A	B*1	C	D	F	K	H	J	H	J
AR20-D	1/8, 1/4	40	66.8	26.5	26	M28 x 1	2	□28	27	□27.8	37.5
AR30-D	1/4, 3/8	53	86.5	30.5	31.5	M38 x 1.5	3.5	□28	32.5	□27.8	43
AR40-D	1/4, 3/8, 1/2	70	91.5	35.5	40.5	M42 x 1.5	—	□28	41.5	□27.8	52
AR40-06-D	3/4	75	93	35.5	40.5	M42 x 1.5	—	□28	41.5	□27.8	52
AR50-D	3/4, 1	90	125	43	50	—	—	□28	51	□27.8	61.5
AR60-D	1	95	155	45	50	—	—	□28	51	□27.8	61.5

Model	Optional specifications										
	Bracket mount							Panel mount			
	M	N	Q	R	S	T	U	V	W	Y	Z
AR20-D	30	34	43.9	5.4	15.4	55	2.3	24.7	28.5	14	6
AR30-D	41	40	46	6.5	8	53	2.3	31.3	38.5	19	7
AR40-D	50	54	54	8.5	10.5	70	2.3	35.5	42.5	21	7
AR40-06-D	50	54	55.5	8.5	10.5	70	2.3	37	42.5	21	7
AR50-D	70	75	66	11	22	113	3.2	—	—	—	—
AR60-D	70	75	66	11	22	113	3.2	—	—	—	—

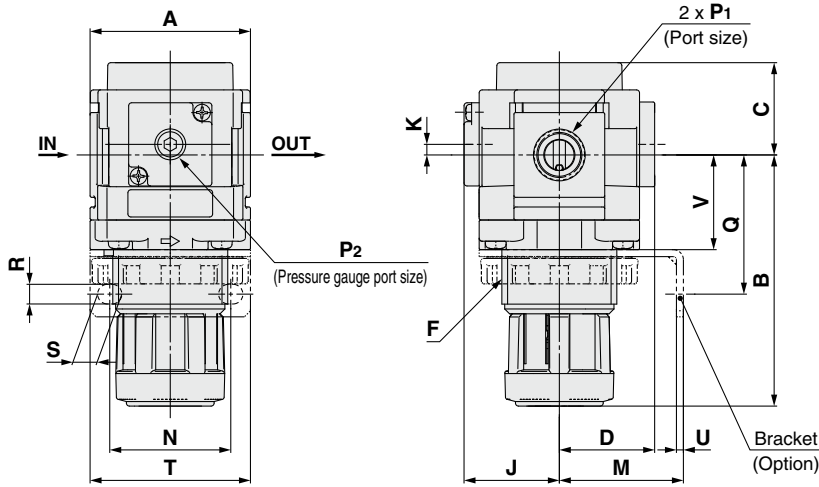
*1 The dimension of B is the length when the regulator knob is unlocked.

Regulator **AR20-D to AR60-D Series**

Regulator with Backflow Function **AR20K-D to AR60K-D Series**

Dimensions

With Backflow Function (Round Type Pressure Gauge, Square Embedded Type Pressure Gauge, Digital Pressure Switch)
AR20K-D to AR40K-06-D



Panel cutout dimensions

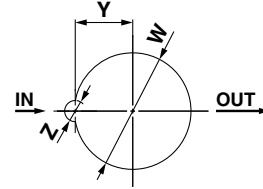
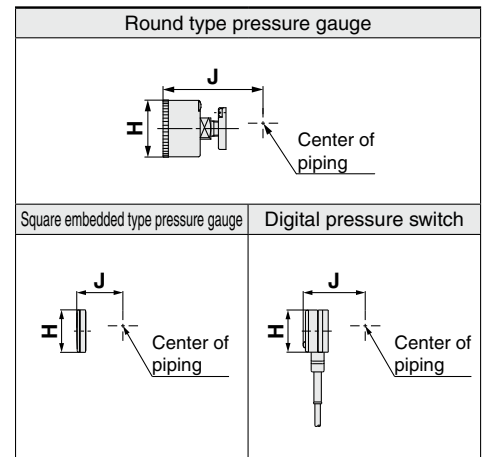
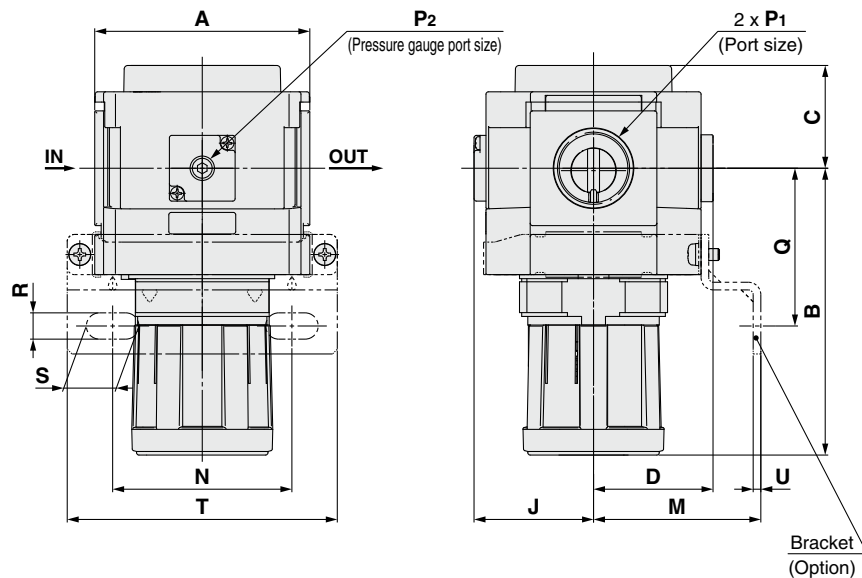


Plate thickness
AR20K-D to AR30K-D : Max. 3.5
AR40K-D to AR40K-06-D: Max. 5

AR50K-D to AR60K-D



Model	Standard specifications									Optional specifications					
	P1	P2	A	B*1	C	D	F	J	K	Round type pressure gauge H	Round type pressure gauge (Semi-standard: Z) J	Round type pressure gauge (with color zone) H	Round type pressure gauge (with color zone) J		
AR20K-D	1/8, 1/4	1/8	40	66.8	26.5	26	M28 x 1	26	2	ø37.5	62.5	ø37.5	63.5	ø37.5	63.5
AR30K-D	1/4, 3/8	1/8	53	86.5	30.5	31.5	M38 x 1.5	31.5	3.5	ø37.5	68	ø37.5	69	ø37.5	69
AR40K-D	1/4, 3/8, 1/2	1/8	70	91.5	35.5	40.5	M42 x 1.5	40.5	—	ø42.5	78	ø42.5	78	ø42.5	78
AR40K-06-D	3/4	1/8	75	93	35.5	40.5	M42 x 1.5	40.5	—	ø42.5	78	ø42.5	78	ø42.5	78
AR50K-D	3/4, 1	1/8	90	125	43	50	—	50	—	ø42.5	87.5	ø42.5	87.5	ø42.5	87.5
AR60K-D	1	1/8	95	155	45	50	—	50	—	ø42.5	87.5	ø42.5	87.5	ø42.5	87.5

Model	Optional specifications														
	Square embedded type pressure gauge		Digital pressure switch		Bracket mount							Panel mount			
	H	J	H	J	M	N	Q	R	S	T	U	V	W	Y	Z
AR20K-D	□28	27	□27.8	37.5	30	34	43.9	5.4	15.4	55	2.3	24.7	28.5	14	6
AR30K-D	□28	32.5	□27.8	43	41	40	46	6.5	8	53	2.3	31.3	38.5	19	7
AR40K-D	□28	41.5	□27.8	52	50	54	54	8.5	10.5	70	2.3	35.5	42.5	21	7
AR40K-06-D	□28	41.5	□27.8	52	50	54	55.5	8.5	10.5	70	2.3	37	42.5	21	7
AR50K-D	□28	51	□27.8	61.5	70	75	66	11	22	113	3.2	—	—	—	—
AR60K-D	□28	51	□27.8	61.5	70	75	66	11	22	113	3.2	—	—	—	—

*1 The dimension of B is the length when the regulator knob is unlocked.

AC
AF + AR + AL
AW + AL
AF + AR
AF + AR
AF + AFM + AR
AW + AFM
Attachments
AF
AFM / AFD
AR
AL
AW

Regulator/AR20-D to AR60-D Regulator with Backflow Function/AR20K-D to AR60K-D Made to Order

Please contact SMC for detailed dimensions, specifications, and lead times.



① 0.4 MPa Setting

The setting specification is 0.4 MPa. When a pressure gauge is included, the display will show a range from 0 to 0.7 MPa.

Specifications

Made-to-order part no.	-X406
Proof pressure [MPa]	1.5
Max. operating pressure [MPa]	1.0
Set pressure range [MPa]*1	0.05 to 0.4

*1 Pressure can be set higher than the specification pressure in some cases, but use pressure within the specification range.

Applicable Models

Model	AR20(K)-D	AR30(K)-D	AR40(K)-D	AR40(K)-06-D	AR50(K)-D	AR60(K)-D
Port size	1/8, 1/4	1/4, 3/8	1/4, 3/8, 1/2	3/4	3/4, 1	1

AR **30** **03** **-D** **X406**

① ② ③ ④ ⑤ ⑥

④ 0.4 MPa setting

· Option/Semi-standard: Select one each for a to f.
· Option/Semi-standard symbol: When more than one specification is required, indicate in alphabetic order.
Example) AR30K-03BE-NR-D-X406

	Symbol	Description	① Body size						
			20	30	40	50	60		
② With backflow function	Nil	Without backflow function	●	●	●	●	●		
	K*1	With backflow function	●	●	●	●	●		
③ Pipe thread type	Nil	Rc	●	●	●	●	●		
	N	NPT	●	●	●	●	●		
	F	G	●	●	●	●	●		
④ Port size	01	1/8	●	—	—	—	—		
	02	1/4	●	●	—	—	—		
	03	3/8	—	●	●	—	—		
	04	1/2	—	—	●	—	—		
	06	3/4	—	—	●	●	—		
	10	1	—	—	—	●	●		
⑤ Option*2	a Mounting	Nil	Without mounting option	●	●	●	●	●	
		B*3	With bracket	●	●	●	●	●	
		H	With set nut (for panel mount)	●	●	●	—	—	
	b Pressure gauge*4	Nil	Without pressure gauge	●	●	●	●	●	
		E	Square embedded type pressure gauge (with limit indicator)	●	●	●	●	●	
		G	Round type pressure gauge (with limit indicator)	●	●	●	●	●	
		M	Round type pressure gauge (with color zone)	●	●	●	●	●	
		Digital pressure switch*5	E1	Output: NPN output, Electrical entry: Wiring bottom entry	●	●	●	●	●
			E2	Output: NPN output, Electrical entry: Wiring top entry	●	●	●	●	●
			E3	Output: PNP output, Electrical entry: Wiring bottom entry	●	●	●	●	●
E4	Output: PNP output, Electrical entry: Wiring top entry		●	●	●	●	●		
⑥ Semi-standard	c Exhaust mechanism	Nil	Relieving type	●	●	●	●	●	
		N	Non-relieving type	●	●	●	●	●	
	d Flow direction	Nil	Flow direction: Left to right	●	●	●	●	●	
		R	Flow direction: Right to left	●	●	●	●	●	
	e Knob	Nil	Downward	●	●	●	●	●	
		Y	Upward	●	●	●	●	●	
	f Unit	Nil	Unit on product label: MPa, Pressure gauge in SI units: MPa	●	●	●	●	●	
		Z*6	Unit on product label: psi, Pressure gauge: MPa/psi dual scale	○*8	○*8	○*8	○*8	○*8	
ZA*7		Digital pressure switch: With unit selection function	△*9	△*9	△*9	△*9	△*9		

*1 Set the inlet pressure to at least 0.05 MPa higher than the set pressure.

*2 Options B, G, H, and M are not assembled and supplied loose at the time of shipment.

*3 The assembly consists of a bracket and set nuts (applicable to the AR20(K)-D to AR40(K)-D).

The AR50(K)-D and AR60(K)-D assemblies include 2 types of brackets and 2 mounting screws.

*4 A 0.7 MPa pressure gauge will be fitted.

*5 When choosing with H (panel mount), the installation space for lead wires will not be secured. In this case, select "wiring top entry" for the electrical entry. (Select "wiring bottom entry" when the semi-standard Y is chosen simultaneously.)

*6 For the pipe thread type: NPT

This product is for overseas use only according to the New Measurement Act. (The SI unit type is provided for use in Japan.) Cannot be used with M: Round type pressure gauge (with color zone). Available by request for special. The digital pressure switch will be equipped with the unit selection function, setting to psi initially.

*7 For options: E1, E2, E3, E4. This product is for overseas use only according to the New Measurement Act. (The SI unit type is provided for use in Japan.)

*8 ○: For the pipe thread type: NPT only

*9 △: Select with options: E1, E2, E3, E4.



AR(K)-D Series Specific Product Precautions

Be sure to read this before handling the products. Refer to the back cover for safety instructions. For F.R.L. units precautions, refer to the “Handling Precautions for SMC Products” and the “Operation Manual” on the SMC website: <https://www.smcworld.com>

Design / Selection

⚠ Warning

1. Residual pressure disposal (outlet pressure removal) is not possible for the AR20-D to AR60-D even though the inlet pressure is exhausted. When the residual pressure disposal is performed, use the regulator with a backflow function (AR20K-D to AR60K-D).

⚠ Caution

1. When operating at an inlet pressure lower than the inlet pressure used in the flow rate characteristics graph, the pressure drop on the outlet side may be greater. Therefore, be sure to conduct testing using the actual equipment.
For pressure control equipment selection, refer to page 123 in the “Product Selection Guide.”

Maintenance

⚠ Warning

1. When using the regulator with backflow function between a solenoid valve and an actuator, check the pressure gauge periodically. Sudden pressure fluctuations may shorten the durability of the pressure gauge. A digital pressure gauge is recommended for such situation or as deemed necessary.

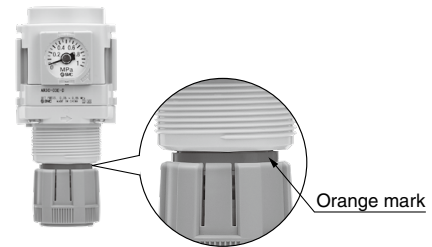
Mounting / Adjustment

⚠ Warning

1. Set the regulator while verifying the displayed values of the inlet and outlet pressure gauges. Turning the regulator knob excessively can cause damage to the internal parts.
2. Do not use tools on the pressure regulator knob as this may cause damage. It must be operated manually.

⚠ Caution

1. Be sure to unlock the knob before adjusting the pressure and lock it after setting the pressure. Failure to follow this procedure can cause damage to the knob and the outlet pressure may fluctuate.
 - Pull the pressure regulator knob to unlock. (You can visually verify this with the “orange mark” that appears in the gap.)
 - Push the pressure regulator knob to lock. When the knob is not easily locked, turn it left and right a little and then push it (when the knob is locked, the “orange mark”, i.e., the gap will disappear).



Piping

⚠ Warning

1. To screw the pressure gauge and piping materials into the pressure gauge port on the product, tighten to the recommended torque (3 to 5 N·m) while securely holding the AR(K)-D in place. Additionally, when mounting a One-touch fitting to the pressure gauge port, refer to the Fittings and Tubing Precautions.

AC

AF + AR + AL

AW + AL

AF + AR

AF + AFM + AR

AW + AFM

Attachments

AF


AFM / AFD

AR

AL

AW

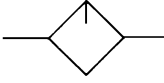
Modular Type Lubricator *AL Series*

Lubricator AL Series	Model	Port size	Options
 <p data-bbox="140 891 276 925">p. 88 to 93</p>	AL20-D	1/8, 1/4	Bracket
	AL30-D	1/4, 3/8	
	AL40-D	1/4, 3/8, 1/2	
	AL40-06-D	3/4	
	AL50-D	3/4, 1	
	AL60-D	1	

Lubricator

AL20-D to AL60-D

Symbol



AL30-D

How to Order

AL **30** - **03** **B** - **03** - **D**

① ② ③ ④ ⑤

· Option/Semi-standard: Select one each for a to d.
 · Option/Semi-standard symbol:
 When more than one specification is required, indicate in alphanumeric order.
 Example) AL30-03B-3RW-D

	Symbol	Description	① Body size					
			20	30	40	50	60	
② Pipe thread type	Nil	Rc	●	●	●	●	●	
	N	NPT	●	●	●	●	●	
	F	G	●	●	●	●	●	
+								
③ Port size	01	1/8	●	—	—	—	—	
	02	1/4	●	●	●	—	—	
	03	3/8	—	●	●	—	—	
	04	1/2	—	—	●	—	—	
	06	3/4	—	—	●	●	—	
10	1	—	—	—	●	●		
+								
④ Option (Mounting)	Nil	Without mounting option	●	●	●	●	●	
	B*1	With bracket	●	●	●	●	●	
+								
⑤ Semi-standard	a Bowl*2	Nil	Polycarbonate bowl	●	●	●	●	●
		2	Metal bowl	●	●	●	●	●
		6	Nylon bowl	●	●	●	●	●
		8	Metal bowl with level gauge	—	●	●	●	●
		C	With bowl guard	●	—*3	—*3	—*3	—*3
	6C	With bowl guard (Nylon bowl)	●	—*4	—*4	—*4	—*4	
	+							
	b Lubricant exhaust port	Nil	Without drain cock	●	●	●	●	●
		3	With drain cock	●	●	●	●	●
		3W*5	Drain cock with barb fitting	—	●	●	●	●
+								
c Flow direction	Nil	Flow direction: Left to right	●	●	●	●	●	
	R	Flow direction: Right to left	●	●	●	●	●	
+								
d Unit	Nil	Unit on product label: MPa, °C	●	●	●	●	●	
	Z*6	Unit on product label: psi, °F	○*7	○*7	○*7	○*7	○*7	

*1 Option B is included in the package with the product but does not come assembled. The assembly consists of 2 types of the bracket and 2 mounting screws.

*2 Refer to chemical data on page 93 for chemical resistance of the bowl.

*3 A bowl guard is provided as standard equipment (polycarbonate).

*4 A bowl guard is provided as standard equipment (nylon).

*5 The combination of metal bowl 2 and 8 is not available.

*6 For the pipe thread type: NPT

This product is for overseas use only according to the New Measurement Act. (The SI unit type is provided for use in Japan.)

*7 ○: For the pipe thread type: NPT only

AC

AF + AR + AL

AW + AL

AF + AR

AF + AR

AF + AFM + AR

AW + AFM

Attachments

AF

AFM / AFD

AR

AL

AW

AL20-D to AL60-D Series

Standard Specifications

Model	AL20-D	AL30-D	AL40-D	AL40-06-D	AL50-D	AL60-D
Port size	1/8, 1/4	1/4, 3/8	1/4, 3/8, 1/2	3/4	3/4, 1	1
Fluid	Air					
Ambient and fluid temperatures	-5 to 60°C (No freezing)					
Proof pressure	1.5 MPa					
Max. operating pressure	1.0 MPa					
Min. dripping flow rate*1	15 L/min (ANR)	Port size 1/4: 30 L/min (ANR) Port size 3/8: 40 L/min (ANR)	Port size 1/4: 30 L/min (ANR) Port size 3/8: 40 L/min (ANR) Port size 1/2: 50 L/min (ANR)	50 L/min (ANR)	190 L/min (ANR)	220 L/min (ANR)
Oil capacity	25 cm ³	55 cm ³	135 cm ³			
Recommended lubricant	Class 1 turbine oil (ISO VG32)					
Bowl material	Polycarbonate					
Bowl guard	Semi-standard (Steel)		Standard (Polycarbonate)			
Weight	0.10 kg	0.18 kg	0.37 kg	0.41 kg	0.92 kg	0.99 kg

*1 The flow rate is 5 drops or greater/min under the following conditions: Inlet pressure of 0.5 MPa; Class 1 turbine oil (ISO VG32); Temperature at 20°C; Oil adjustment valve fully open. For a circuit that repeatedly turns ON and OFF on the outlet side, make the adjustment so that the average air consumption per minute becomes the minimum dripping flow rate or more.

Bowl Assembly/Part Nos.

Bowl material	Lubricant exhaust port	Other	Model					
			AL20-D	AL30-D	AL40-D	AL40-06-D	AL50-D	AL60-D
Polycarbonate	Without drain cock	—	C2SL-D	—	—			
		With bowl guard	C2SL-C-D	C3SL-D	C4SL-D			
	With drain cock	—	C2SL-3-D	—	—			
		With bowl guard	C2SL-3C-D	C3SL-3-D	C4SL-3-D			
Drain cock with barb fitting	With bowl guard	—	C3SL-3W-D	C4SL-3W-D				
Nylon	Without drain cock	—	C2SL-6-A	—	—			
		With bowl guard	C2SL-6C-A	C3SL-6-A	C4SL-6-A			
	With drain cock	—	C2SL-36-A	—	—			
		With bowl guard	C2SL-36C-A	C3SL-36-A	C4SL-36-A			
Drain cock with barb fitting	With bowl guard	—	C3SL-36W-A	C4SL-36W-A				
Metal	Without drain cock	—	C2SL-2-A	C3SL-2-A	C4SL-2-A			
		With level gauge	—	C3LL-8-A	C4LL-8-A			
	With drain cock	—	C2SL-23-A	C3SL-23-A	C4SL-23-A			
		With level gauge	—	C3LL-38-A	C4LL-38-A			

*1 The bowl assembly comes with a bowl seal. Please contact SMC separately for psi and °F unit display specifications.

Option/Part Nos.

Optional specifications	Model					
	AL20-D	AL30-D	AL40-D	AL40-06-D	AL50-D	AL60-D
Bracket assembly*1	AF24P-070AS	AF34P-070AS	AF44P-070AS	AF49P-070AS	AF54P-070AS	

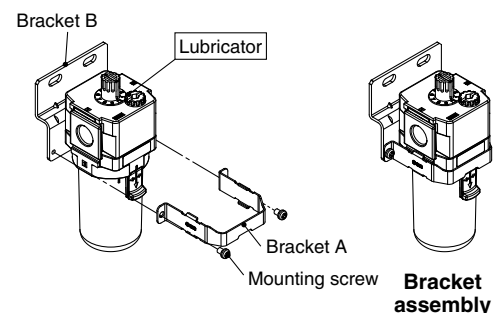
*1 The assembly consists of a bracket A/B and 2 mounting screws.

Replacement Parts

Description	Part no.					
	AL20-D	AL30-D	AL40-D	AL40-06-D	AL50-D	AL60-D
Sight dome assembly	AL20P-080AS					
Lubrication plug assembly	AL24P-060AS	AL34P-060AS	AL44P-060AS			
Bumper retainer assembly	AL20P-030AS	AL30P-030AS	AL40P-030AS	AL54P-030AS	AL60P-030AS	
Bumper	AL20P-040S	AL30P-040S	AL44P-040S	AL60P-040AS		
Bowl seal	C2SFP-260S	C32FP-260S	C42FP-260S			
Bowl assembly*1, *2	Refer to "Bowl Assembly/Part Nos."					

*1 The bowl assembly comes with a bowl seal.

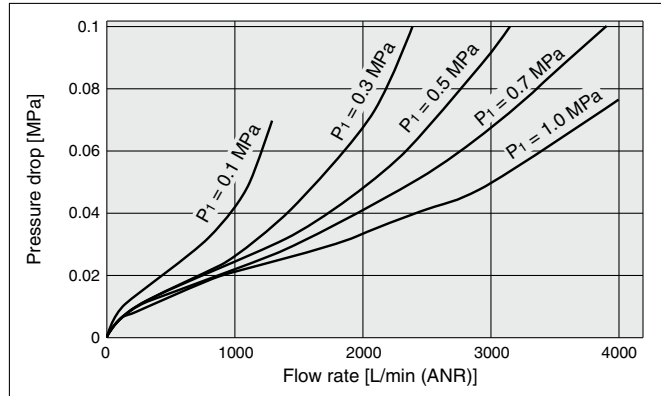
*2 Please contact SMC separately for psi and °F unit display specifications.



Flow Rate Characteristics (Representative values)

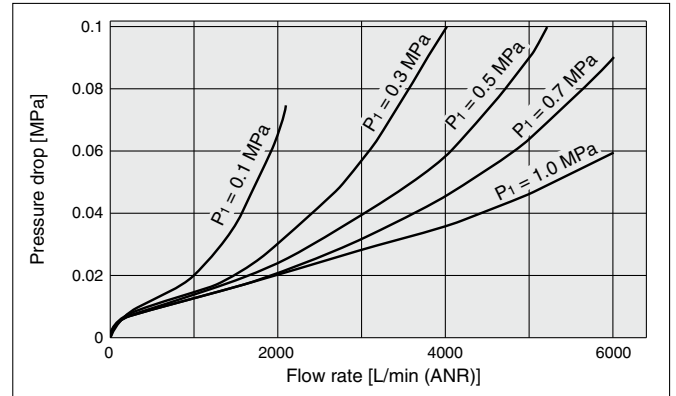
AL20-D

Rc1/4



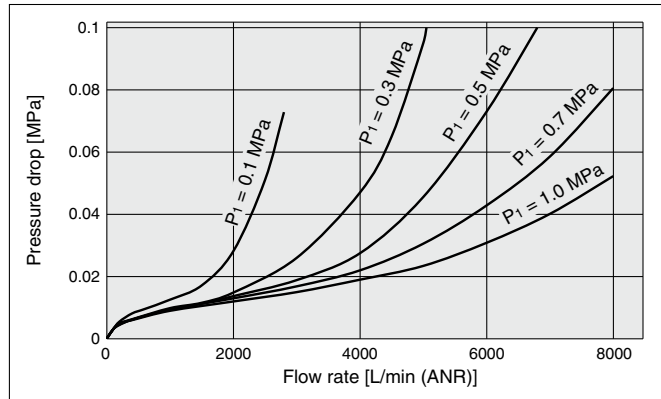
AL30-D

Rc3/8



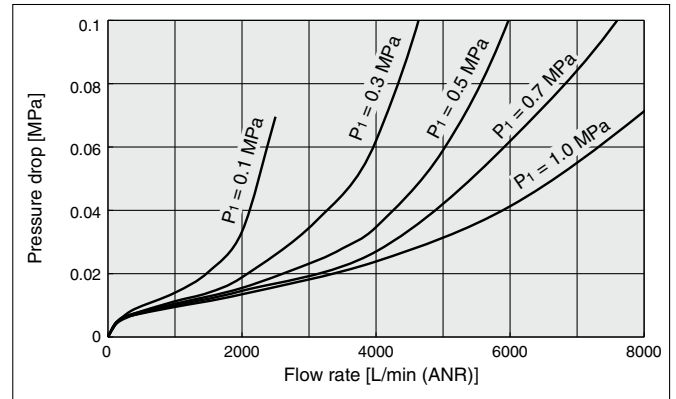
AL40-D

Rc1/2



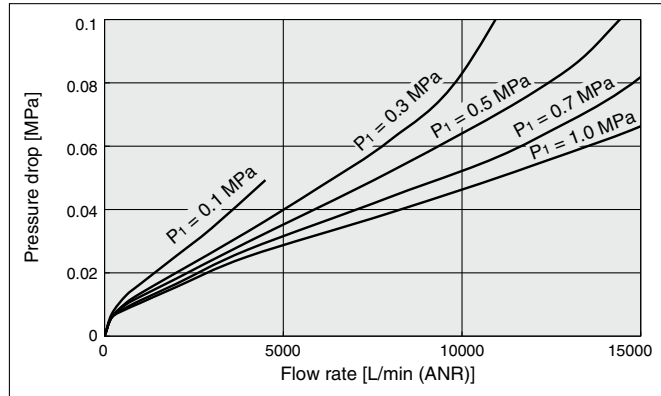
AL40-06-D

Rc3/4



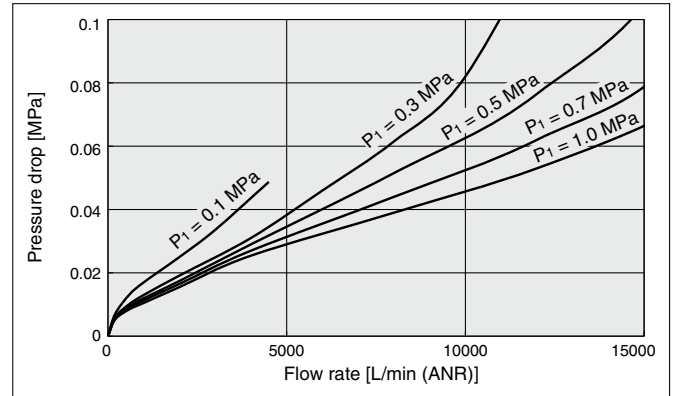
AL50-D

Rc1



AL60-D

Rc1

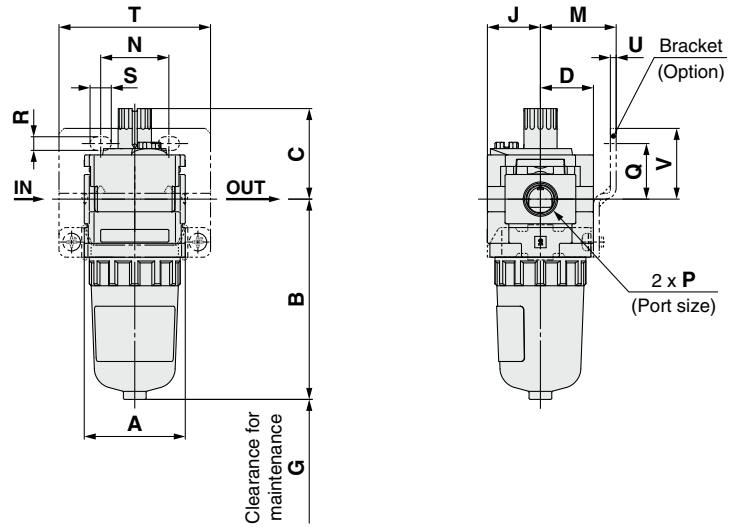


- AC
- AF + AR + AL
- AW + AL
- AF + AR
- AF + AFM + AR
- AW + AFM
- Attachments
- AF
- AFM / AFD
- AR
- AL
- AW

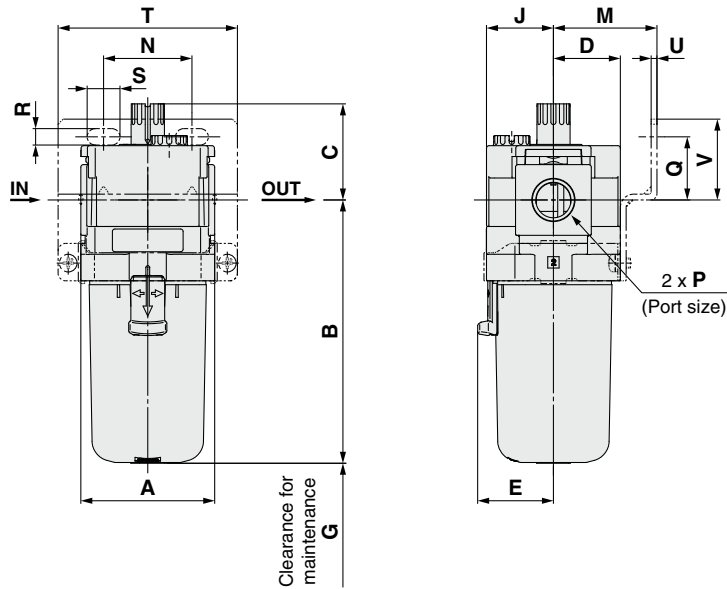
AL20-D to AL60-D Series

Dimensions

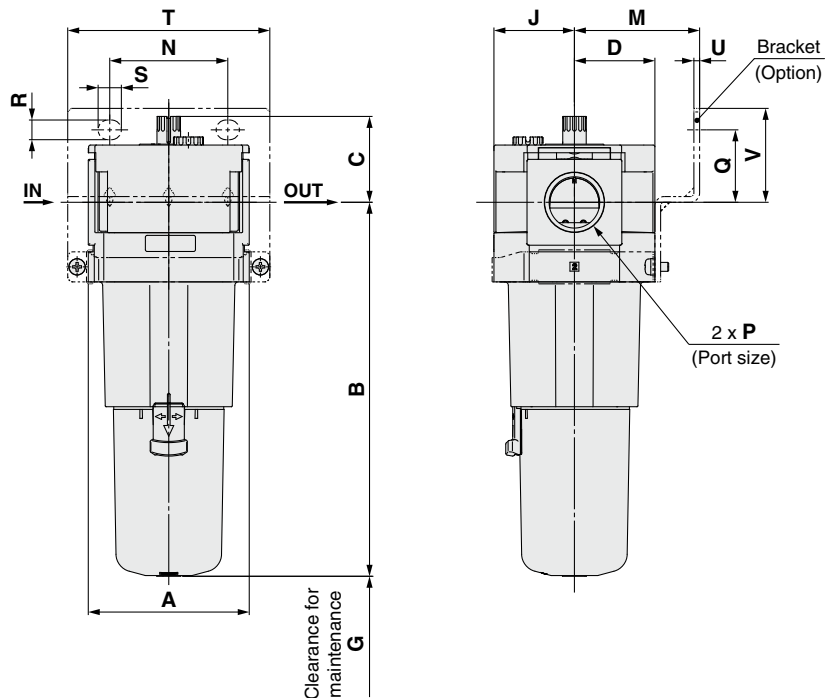
AL20-D



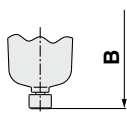
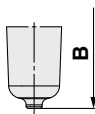
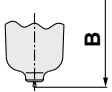
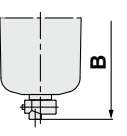
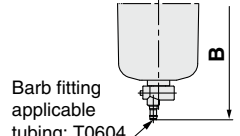

AL30-D to AL40-06-D



AL50-D to AL60-D



Lubricator *AL20-D to AL60-D Series*

Applicable model	Semi-standard					
	PC/PA bowl		Metal bowl		Metal bowl with level gauge	
	With drain cock	Drain cock with barb fitting	Without drain cock	With drain cock	Without drain cock	With drain cock
AL20-D		/			/	/
AL30-D to AL60-D						

Model	Standard specifications								Optional specifications							
	P	A	B	C	D	E	G	J	Bracket mount							
									M	N	Q	R	S	T	U	V
AL20-D	1/8, 1/4	40	79.3	35.9	21	—	60	21	30	27	22	5.4	8.4	60	2.3	28
AL30-D	1/4, 3/8	53	104.3	38.1	26.5	30	80	26.5	41	35	25	6.5	13	71	2.3	32
AL40-D	1/4, 3/8, 1/2	70	136.1	44	35.5	38.4	110	35.5	50	52	30	8.5	12.5	88	2.3	39
AL40-06-D	3/4	75	138.1	44	35.5	38.4	110	35.5	50	52	34	8.5	12.5	88	2.3	43
AL50-D	3/4, 1	90	209.1	48	45	—	110	45	70	66	40.5	11	13	113	3.2	52.5
AL60-D	1	95	223.1	48	45	—	110	45	70	66	40.5	11	13	113	3.2	52.5

Model	Semi-standard specifications					
	PC/PA bowl		Metal bowl		Metal bowl with level gauge	
	With drain cock	With barb fitting	Without drain cock	With drain cock	Without drain cock	With drain cock
	B	B	B	B	B	B
AL20-D	87.6	—	84.5	87.4	—	—
AL30-D	115.4	123.9	104.3	117.8	124.3	137.8
AL40-D	147.1	155.6	136	149.5	156.1	169.5
AL40-06-D	149.1	157.6	138	151.5	158.1	171.5
AL50-D	220.1	228.6	209	222.5	229	242.5
AL60-D	234.1	242.6	223	236.5	243	256.5

- AC
- AF + AR + AL
- AW + AL
- AF + AR
- AF + AR
- AF + AFM + AR
- AW + AFM
- Attachments
- AF
- AFM / AFD
- AR
- AL
- AW



AL-D Series Specific Product Precautions

Be sure to read this before handling the products. Refer to the back cover for safety instructions. For F.R.L. units precautions, refer to the “Handling Precautions for SMC Products” and the “Operation Manual” on the SMC website: <https://www.smcworld.com>

Design / Selection

Warning

- Do not introduce air from the outlet side as this can damage the bumper.
- The standard bowl and sight dome of the lubricator is polycarbonate. Do not use in an environment where they are exposed to or come in contact with organic solvents, chemicals, cutting oil, synthetic oil, alkali, and thread lock solutions.

Chemical resistance of polycarbonate bowl with sight dome and nylon bowl with sight dome

Type	Chemical name	Application examples	Material	
			Polycarbonate	Nylon
Acid	Hydrochloric acid Sulfuric acid Phosphoric acid Chromic acid	Acid washing liquid for metals	△	×
Alkaline	Sodium hydroxide (Caustic soda) Potash Calcium hydroxide (Slack lime) Ammonia water Sodium carbonate	Degreasing of metals Industrial salts Water-soluble cutting oil	×	○
Inorganic salts	Sodium sulfide Potassium nitrate Sodium sulfate	—	×	△
Chlorine solvents	Carbon tetrachloride Chloroform Ethylene chloride Methylene chloride	Cleansing liquid for metals Printing ink Dilution	×	△
Aromatic series	Benzene Toluene Paint thinner	Coatings Dry cleaning	×	△
Ketone	Acetone Methyl ethyl ketone Cyclohexane	Photographic film Dry cleaning Textile industries	×	×
Alcohol	Ethyl alcohol IPA Methyl alcohol	Antifreeze Adhesives	△	×
Oil	Gasoline Kerosene	—	×	○
Ester	Phthalic acid dimethyl Phthalic acid diethyl Acetic acid	Synthetic oil Anti-rust additives	×	○
Ether	Methyl ether Ethyl ether	Brake oil additives	×	○
Amino	Methyl amino	Cutting oil Brake oil additives Rubber accelerator	×	×
Others	Thread-lock fluid Seawater Leak tester	—	×	△

○: Essentially safe △: Some effects may occur. ×: Effects will occur.

When the above factors are present, or there is some doubt, use a metal bowl for safety.

Design / Selection

Caution

- When the piping is branched on the inlet side, install a check valve to prevent the lubricant from back flowing.

Maintenance

Warning

- For the AL20-D, replenish the lubricant after releasing the inlet pressure. Lubrication cannot take place under a pressurized condition.
- Tighten the lubrication plug to the recommended tightening torque. Insufficient tightening torque may cause loosening or defective sealing. Excessive tightening torque may damage the thread, etc.

Recommended Torque

Unit: N·m

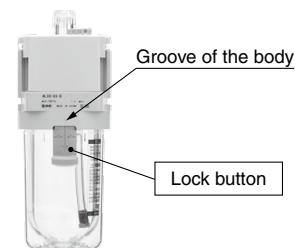
Model	AL20-D	AL30-D	AL40-D AL40-06-D AL50-D AL60-D
Torque	0.25 to 0.35	0.35 to 0.45	0.5 to 0.6

- Adjustment of the oil regulating valve (sight dome assembly) for models from the AL20-D to AL60-D should be carried out manually. Turning it counterclockwise increases the dripping amount, and turning it clockwise reduces the dripping amount. The use of tools can result in damage to the unit. From the fully closed position, three rotations will bring it to the fully open position. Do not rotate it any further than this. Note that the numbered scale markings are guidelines for adjusting the position, and not indicators of the dripping amount.

Mounting / Adjustment

Caution

- When the lubricator bowl is installed on the AL30-D to AL60-D, install them so that the lock button lines up to the groove of the front (or the back) of the body to avoid drop or damage of the bowl.



Modular Type Filter Regulator **AW Series**

Filter Regulator AW Series



p. 95 to 109

Model	Port size	Set pressure	Options	
AW20(K)-D	1/8, 1/4	0.05 to 0.85 MPa 0.02 to 0.2 MPa	Bracket Set nut (for panel mount) Float type auto drain Square embedded type pressure gauge Digital pressure switch Round type pressure gauge	
AW30(K)-D	1/4, 3/8			
AW40(K)-D	1/4, 3/8, 1/2			
AW40(K)-06-D	3/4			
AW60(K)-D	3/4, 1			Bracket Float type auto drain Square embedded type pressure gauge Digital pressure switch Round type pressure gauge

AC

AF + AR + AL

AW + AL

AF + AR

AF + AFM + AR

AW + AFM

Attachments

AF

AFM / AFD

AR

AL

AW

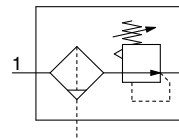
Filter Regulator

AW20-D to AW60-D

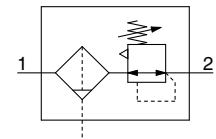
Filter Regulator with Backflow Function

AW20K-D to AW60K-D

Symbol
Filter Regulator



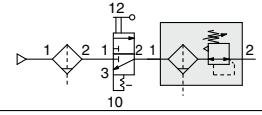
Filter Regulator with
Backflow Function



- Integrated filter and regulator units save space and require less piping.
- Models with the backflow function include a mechanism which allows for the air pressure in the outlet side to be released to the inlet side.

Example)

When the air supply is cut off and releasing the inlet pressure to the atmosphere, the residual pressure release of the outlet side can be ensured for a safety purpose.



How to Order

AW **30** **03** **BE** - **D**

① ② ③ ④ ⑤ ⑥

• Option/Semi-standard: Select one each for a to i.
 • Option/Semi-standard symbol: When more than one specification is required, indicate in alphanumeric order.
 Example) AW30K-03BE-1NR-D

		Symbol	Description	① Body size				
				20	30	40	60	
②	With backflow function	Nil	Without backflow function	●	●	●	●	
		K*1	With backflow function	●	●	●	●	
		+						
③	Pipe thread type	Nil	Rc	●	●	●	●	
		N	NPT	●	●	●	●	
		F	G	●	●	●	●	
		+						
④	Port size	01	1/8	●	—	—	—	
		02	1/4	●	●	●	—	
		03	3/8	—	●	●	—	
		04	1/2	—	—	●	—	
		06	3/4	—	—	●	●	
		10	1	—	—	—	●	
		+						
⑤ Option*2	a	Mounting	Nil	Without mounting option	●	●	●	●
			B*3	With bracket	●	●	●	●
			H	With set nut (for panel mount)	●	●	●	—
			+					
	b	Float type auto drain*4	Nil	Without auto drain	●	●	●	●
			C*5	N.C. (Normally closed) Drain port is closed when pressure is not applied.	●	●	●	●
			D*6	N.O. (Normally open) Drain port is open when pressure is not applied.	—	●	●	●
			+					
	c	Pressure gauge*7	Nil	Without pressure gauge	●	●	●	●
			E	Square embedded type pressure gauge (with limit indicator)	●	●	●	●
			G	Round type pressure gauge (with limit indicator)	●	●	●	●
			M	Round type pressure gauge (with color zone)	●	●	●	●
		Digital pressure switch*8	E1	Output: NPN output, Electrical entry: Wiring bottom entry	●	●	●	●
			E2	Output: NPN output, Electrical entry: Wiring top entry	●	●	●	●
			E3	Output: PNP output, Electrical entry: Wiring bottom entry	●	●	●	●
		+						
d	Set pressure*9	Nil	0.05 to 0.85 MPa setting	●	●	●	●	
		1	0.02 to 0.2 MPa setting	●	●	●	●	
		+						
⑥ Semi-standard	e	Bowl*10	Nil	Polycarbonate bowl	●	●	●	●
			2	Metal bowl	●	●	●	●
			6	Nylon bowl	●	●	●	●
			8	Metal bowl with level gauge	—	—	—	—
			C	With bowl guard	●	—*11	—*11	—*11
			6C	With bowl guard (Nylon bowl)	●	—*12	—*12	—*12
		+						
f	Drain port*13	Nil	With drain cock	●	●	●	●	
		J*14	Drain guide 1/8	●	—	—	—	
		W*15	Drain cock with barb fitting	—	●	●	●	

Filter Regulator **AW20-D to AW60-D Series**

Filter Regulator with Backflow Function **AW20K-D to AW60K-D Series**



AW30-D

		Symbol	Description	①					
				Body size					
				20	30	40	60		
⑥	Semi-standard	g	Exhaust mechanism	Nil	Relieving type	●	●	●	●
				N	Non-relieving type	●	●	●	●
			+						
	h	Flow direction	Nil	Flow direction: Left to right	●	●	●	●	
			R	Flow direction: Right to left	●	●	●	●	
		+							
i	Unit	Nil	Unit on product label: MPa, °C, Pressure gauge in SI units: MPa	●	●	●	●		
		Z*16	Unit on product label: psi, °F, Pressure gauge: MPa/psi dual scale	○*18	○*18	○*18	○*18		
		ZA*17	Digital pressure switch: With unit selection function	△*19	△*19	△*19	△*19		

- *1 Set the inlet pressure to at least 0.05 MPa higher than the set pressure.
- *2 Options B, G, H, and M are not assembled and supplied loose at the time of shipment.
- *3 The assembly consists of a bracket and set nuts (applicable to the AW20(K)-D to AW40(K)-D).
For the AW60(K)-D, the assembly consists of 2 types of the bracket and 2 mounting screws.
- *4 The auto drain port is ø10 One-touch fitting (② Pipe thread type: Rc, G) or ø3/8" One-touch fitting (② Pipe thread type: NPT)
- *5 When pressure is not applied, condensate which does not start the auto drain mechanism will be left in the bowl. Releasing the residual condensate before ending operations for the day is recommended.
- *6 If the compressor is small (0.75 kW, discharge flow is less than 100 L/min (ANR)), air leakage from the drain cock may occur during the start of operations. N.C. type is recommended.
- *7 When the pressure gauge is attached, a 1.0 MPa pressure gauge will be fitted for standard (0.85 MPa) type. 0.4 MPa pressure gauge for 0.2 MPa type.
- *8 When choosing with H (panel mount), the installation space for lead wires will not be secured. In this case, select "wiring bottom entry" for the electrical entry.

- *9 Pressure can be set higher than the specification pressure in some cases, but use pressure within the specification range.
- *10 Refer to chemical data on page 109 for chemical resistance of the bowl.
- *11 A bowl guard is provided as standard equipment (polycarbonate).
- *12 A bowl guard is provided as standard equipment (nylon).
- *13 The combination of float type auto drain C and D is not available.
- *14 Without a valve function. The mounting screws are the same as the thread of ②.
- *15 The combination of metal bowl 2 and 8 is not available.
- *16 For the pipe thread type: NPT. This product is for overseas use only according to the New Measurement Act. (The SI unit type is provided for use in Japan.)
Cannot be used with M: Round type pressure gauge (with color zone). Available by request for special. The digital pressure switch will be equipped with the unit selection function, setting to psi initially.
- *17 For options: E1, E2, E3, E4
This product is for overseas use only according to the New Measurement Act. (The SI unit type is provided for use in Japan.)
- *18 ○: For the pipe thread type: NPT only
- *19 △: Select with options: E1, E2, E3, E4.

AC

AF + AR + AL

AW + AL

AF + AR

AF + AFM + AR

AW + AFM

Attachments

AF

AFM / AFD

AR

AL

AW

AW20-D to AW60-D Series

AW20K-D to AW60K-D Series

Standard Specifications

Model		AW20-D	AW30-D	AW40-D	AW40-06-D	AW60-D
Port size		1/8, 1/4	1/4, 3/8	1/4, 3/8, 1/2	3/4	3/4, 1
Pressure gauge port size*1		1/8				
Fluid		Air				
Ambient and fluid temperatures*2		-5 to 60°C (No freezing)				
Proof pressure		1.5 MPa				
Max. operating pressure		1.0 MPa				
Auto drain minimum operating pressure	N.C.	0.1 MPa	0.15 MPa			
	N.O.	—	0.1 MPa			
Set pressure range		0.05 to 0.85 MPa				
Nominal filtration rating*3		5 μm				
Compressed air purity class*4		ISO 8573-1:2010 [6 : 4 : 4]*5				
Drain capacity		8 cm ³	25 cm ³	45 cm ³		
Bowl material		Polycarbonate				
Bowl guard		Semi-standard (Steel)	Standard (Polycarbonate)			
Construction		Relieving type				
Weight		0.18 kg	0.34 kg	0.64 kg	0.69 kg	1.76 kg

*1 Pressure gauge connection threads are not available for F.R.L. unit with a square embedded type pressure gauge or with a digital pressure switch.

*2 -5 to 50°C for the products with the digital pressure switch

*3 For the following conditions in accordance with [Test condition: ISO 8573-4:2001 compliant, Test method ISO 12500-3:2009 compliant]

Conditions: When a new element is used, and the flow capacity, inlet pressure, and the amount of solid bodies on the filter inlet side are stable

*4 The compressed air purity class is indicated based on ISO 8573-1:2010 Compressed air – Part 1: Contaminants and purity classes.

For details on this standard, refer to page 110.

*5 The compressed air quality class on the inlet side is [7 : 4 : 4].

Bowl Assembly/Part Nos.

Bowl material	Drain discharge mechanism	Drain port	Other	Model					
				AW20-D	AW30-D	AW40-D	AW40-06-D	AW60-D	
Polycarbonate	Manual	With drain cock	—	C2SF-D	—	—			
			With bowl guard	C2SF-C-D	C3SF-D	C4SF-D			
		Drain cock with barb fitting	With bowl guard	—	C3SF-W-D	C4SF-W-D			
			With drain guide (without valve function)	—	C2SF□-J-D	—	—		
	Automatic*1 (Auto drain)	Normally closed (N.C.)	—	AD27-D	—	—			
			With bowl guard	AD27-C-D	AD37□-D	AD47□-D			
		Normally open (N.O.)	With bowl guard	—	AD38□-D	AD48□-D			
			With drain cock	—	C2SF-6-A	—	—		
Nylon	Manual	With drain cock	With bowl guard	C2SF-6C-A	C3SF-6-A	C4SF-6-A			
			With bowl guard	—	C3SF-6W-A	C4SF-6W-A			
		Drain cock with barb fitting	With bowl guard	—	C3SF-6J-A	—	—		
			With drain guide (without valve function)	With bowl guard	C2SF□-6CJ-A	C3SF□-6J-A	C4SF□-6J-A		
	Automatic*1 (Auto drain)	Normally closed (N.C.)	—	AD27-6-A	—	—			
			With bowl guard	AD27-6C-A	AD37□-6-A	AD47□-6-A			
		Normally open (N.O.)	With bowl guard	—	AD38□-6-A	AD48□-6-A			
			With drain cock	—	C2SF-2-A	C3SF-2-A	C4SF-2-A		
Metal	Manual	With drain cock	With level gauge	—	C3LF-8-A	C4LF-8-A			
			With level gauge	—	C3LF□-8J-A	C4LF□-8J-A			
		With drain guide (without valve function)	With level gauge	—	C3LF□-8J-A	C4LF□-8J-A			
			With level gauge	—	C3LF□-8J-A	C4LF□-8J-A			
	Automatic*1 (Auto drain)	Normally closed (N.C.)	—	AD27-2-A	AD37□-2-A	AD47□-2-A			
			With level gauge	—	AD37□-8-A	AD47□-8-A			
		Normally open (N.O.)	—	—	AD38□-2-A	AD48□-2-A			
			With level gauge	—	AD38□-8-A	AD48□-8-A			

*1 The bowl assembly comes with a bowl seal.

□ in bowl assembly part numbers indicates a pipe thread type (applicable tubing for auto drain).

No indication is necessary for Rc thread; however, indicate N for NPT thread, and F for G thread. (For auto drain, Nil: ø10, N: ø3/8")

Please contact SMC separately for psi and °F unit display specifications.

Filter Regulator **AW20-D to AW60-D Series**

Filter Regulator with Backflow Function **AW20K-D to AW60K-D Series**

Option/Part Nos.

Optional specifications			Model				
			AW20(K)-D	AW30(K)-D	AW40(K)-D	AW40(K)-06-D	AW60(K)-D
Bracket assembly*1			AW23P-270AS	AR33P-270AS	AR43P-270AS		AR54P-270AS
Set nut			AR23P-260S	AR33P-260S	AR43P-260S		—*2
Pressure gauge*3	Round type	Standard	G36-10-□01		G46-10-□01		
		0.02 to 0.2 MPa setting	G36-4-□01		G46-4-□01		
	Round type (with color zone)	Standard	G36-10-□01-L		G46-10-□01-L		
		0.02 to 0.2 MPa setting	G36-4-□01-L		G46-4-□01-L		
	Square embedded type*4	Standard	GC3-10AS-D [136150A (Pressure gauge cover only)]				
		0.02 to 0.2 MPa setting	GC3-4AS-D [136150A (Pressure gauge cover only)]				
Digital pressure switch	NPN output, Wiring bottom entry		ISE35-N-25-MLA-X523 [ISE35-N-25-M (Switch body only)]*5				
	NPN output, Wiring top entry		ISE35-R-25-MLA-X523 [ISE35-R-25-M (Switch body only)]*5				
	PNP output, Wiring bottom entry		ISE35-N-65-MLA-X523 [ISE35-N-65-M (Switch body only)]*5				
	PNP output, Wiring top entry		ISE35-R-65-MLA-X523 [ISE35-R-65-M (Switch body only)]*5				

*1 The assembly consists of a bracket and set nuts.

*2 For the AW60(K)-D, the assembly consists of a bracket A/B and 2 mounting screws. Please contact SMC regarding the set nuts for the AW60(K)-D.

*3 □ in part numbers for a round type pressure gauge indicates a pipe thread type. No indication is necessary for R; however, indicate N for NPT. Please contact SMC regarding the pressure gauge supply for both MPa and psi unit specifications.

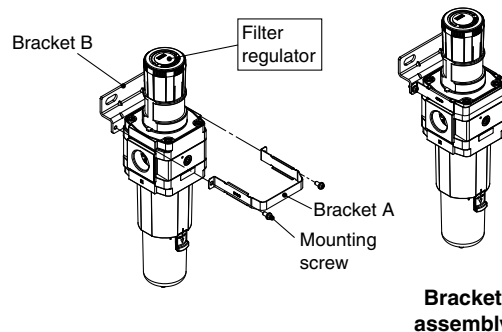
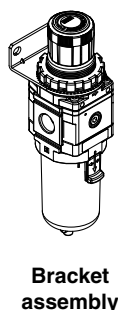
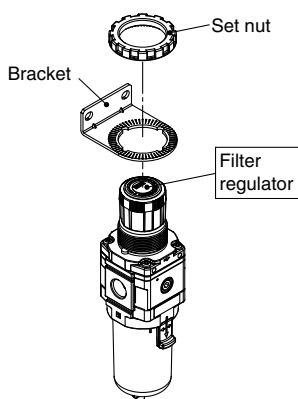
*4 Including one O-ring and 2 mounting screws. []: Pressure gauge cover only

*5 In addition to the pressure switch body, lead wire with connector (2 m), adapter, lock pin, O-ring (1 pc.), mounting screws (2 pcs.) are attached.

[]: Switch body only (Regarding how to order the digital pressure switch, refer to the **Web Catalog**.)

AW20(K)-D to AW40(K)-06-D

AW60(K)-D



Replacement Parts

Description		Part no.				
		AW20(K)-D	AW30(K)-D	AW40(K)-D	AW40(K)-06-D	AW60(K)-D
Valve assembly		AW24P-060AS	AW34P-060AS	AW44P-060AS	AW49P-060AS	AW64P-060AS
Filter element		AF20P-060S	AF30P-060S	AF40P-060S		AW60P-060S
Baffle		AF24P-040S	AF34P-040S	AF44P-040S		AW64P-030S
Diaphragm assembly	Relieving type	AR24P-150AS	AR34P-150AS	AR44P-150AS		AR54P-150AS
	Non-relieving type	AR24P-150AS-N	AR34P-150AS-N	AR44P-150AS-N		AR54P-150AS-N
Bowl seal		C2SFP-260S	C32FP-260S	C42FP-260S		
Bowl assembly*1, *2		Refer to "Bowl Assembly/Part Nos."				
Check valve assembly*3		AR24KP-020AS				

*1 The bowl assembly comes with a bowl seal.

*2 Please contact SMC separately for psi and °F unit display specifications.

*3 The check valve assembly is applicable for a filter regulator with backflow function (AW20K-D to AW60K-D) only. The assembly consists of a check valve cover, check valve body assembly, and 2 mounting screws.

AC
AF + AR + AL
AF + AR
AF + AR
AF + AFM + AR
AW + AFM
Attachments
AF
AFM / AFD
AR
AL
AW

AW20-D to AW60-D Series

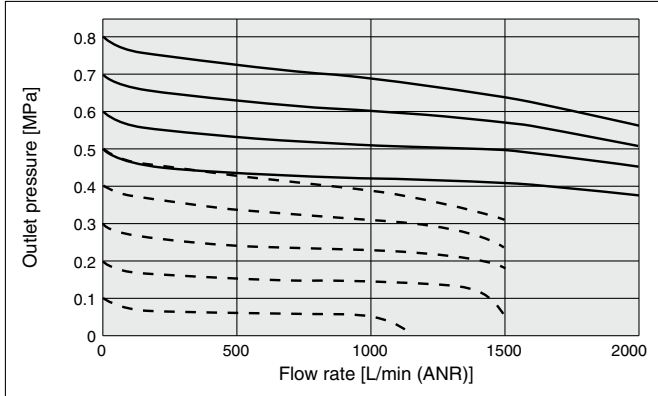
AW20K-D to AW60K-D Series

Flow Rate Characteristics (Representative values)

— Inlet pressure: 1.0 MPa
 - - - Inlet pressure: 0.7 MPa

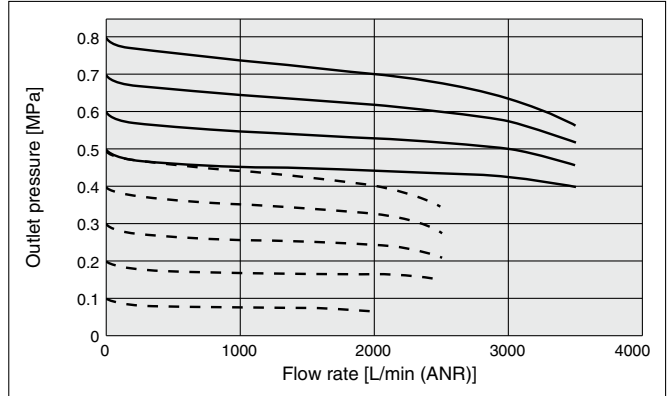
AW20(K)-D

Rc1/4



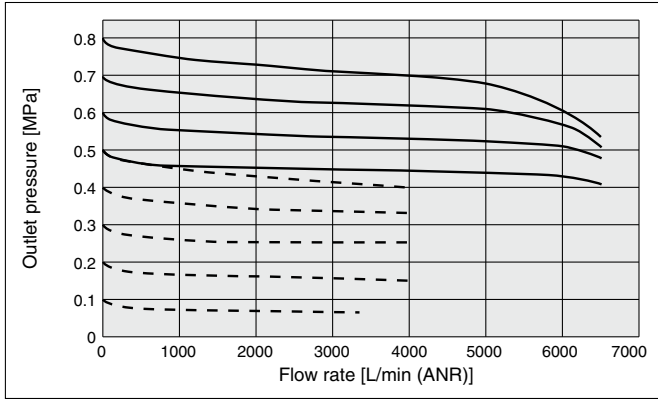
AW30(K)-D

Rc3/8



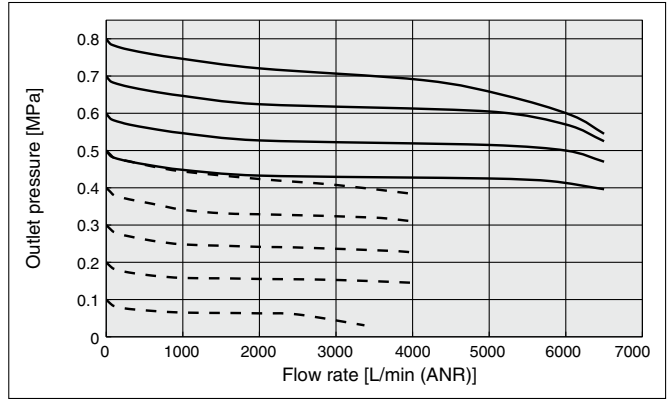
AW40(K)-D

Rc1/2



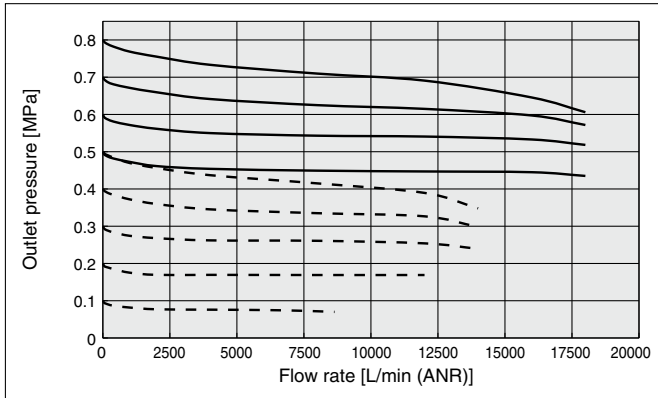
AW40(K)-06-D

Rc3/4



AW60(K)-D

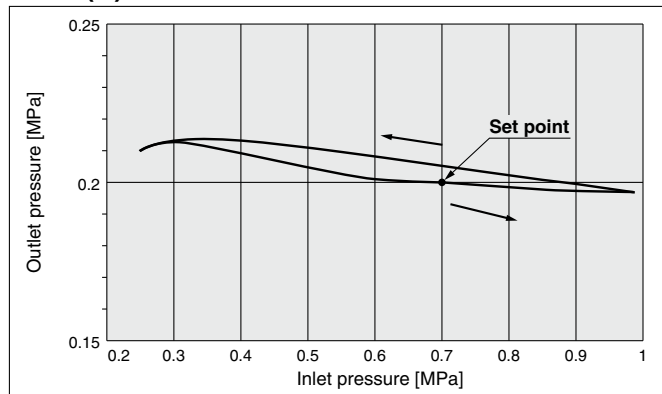
Rc1



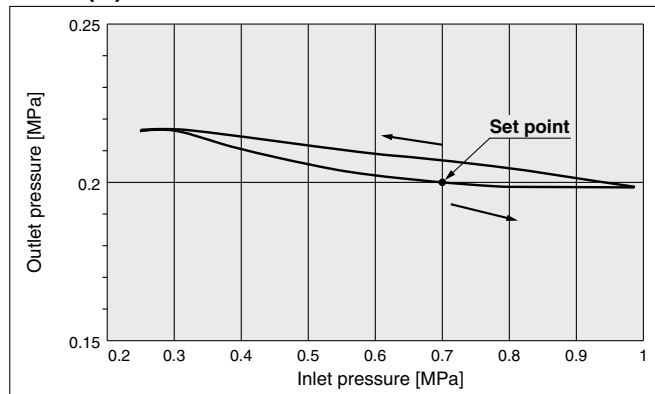
Pressure Characteristics (Representative values)

Conditions: Inlet pressure of 0.7 MPa, Outlet pressure of 0.2 MPa, Flow rate 20 L/min (ANR)

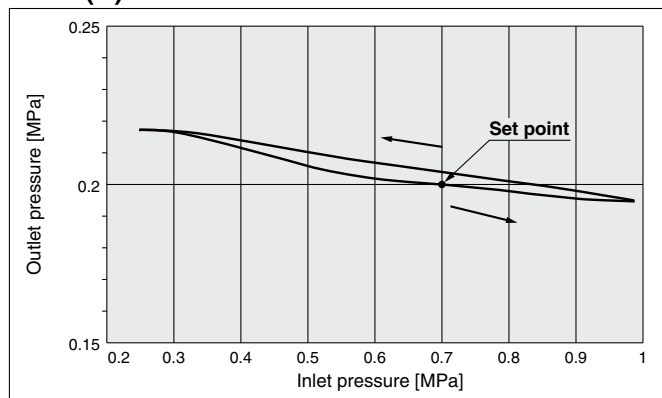
AW20(K)-D



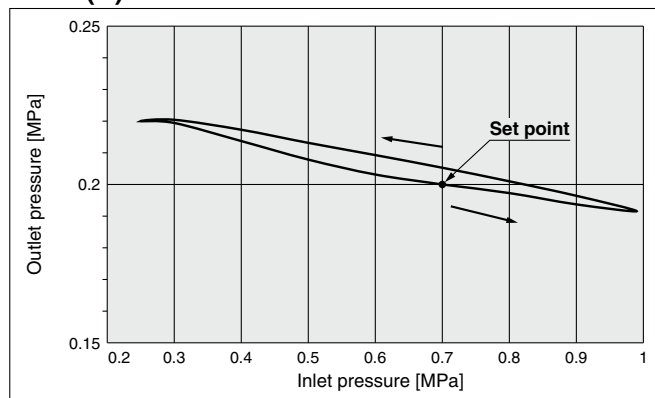
AW30(K)-D



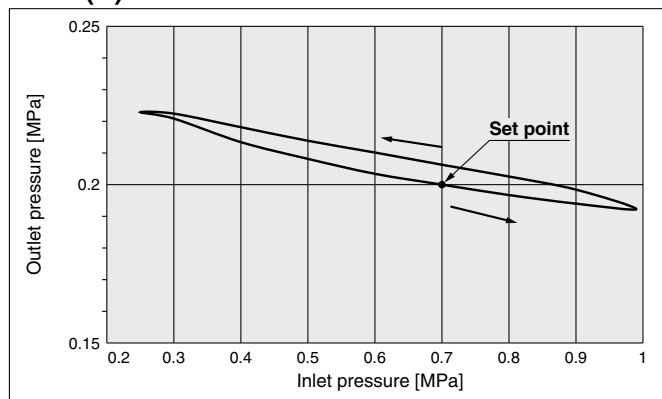
AW40(K)-D



AW40(K)-06-D



AW60(K)-D



AC

AF + AR + AL

AW + AL

AF + AR

AF + AFM + AR

AW + AFM

Attachments

AF

AFM / AFD

AR

AL

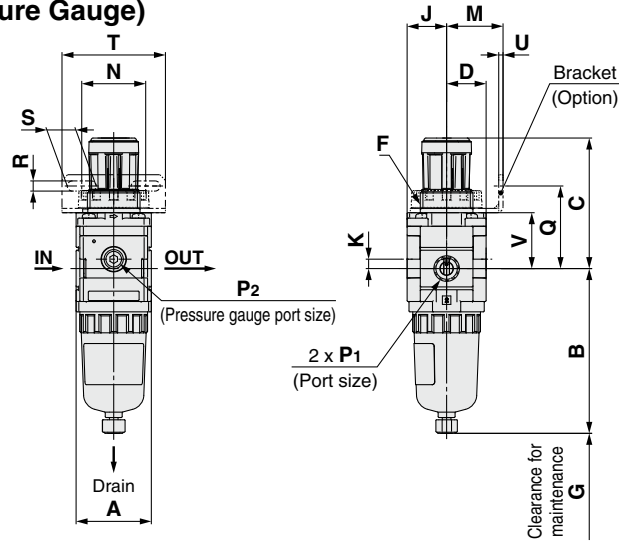
AW

AW20-D to AW60-D Series

AW20K-D to AW60K-D Series

Dimensions

Standard (Round Type Pressure Gauge) AW20-D



Panel cutout dimensions

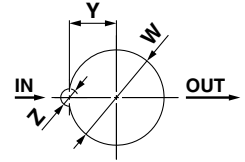
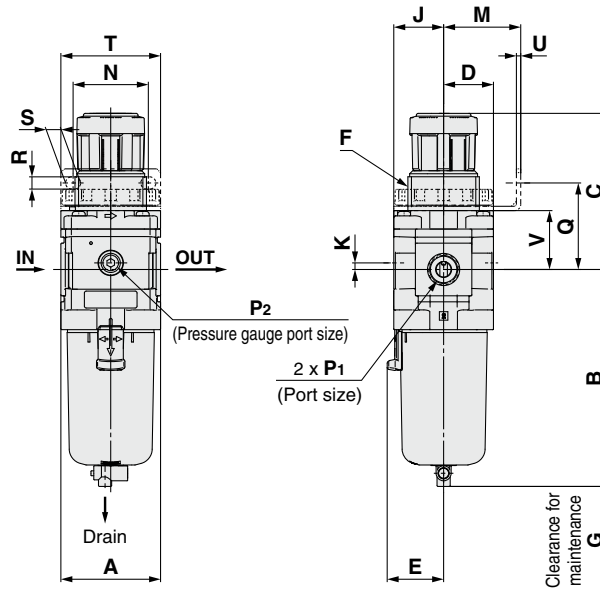
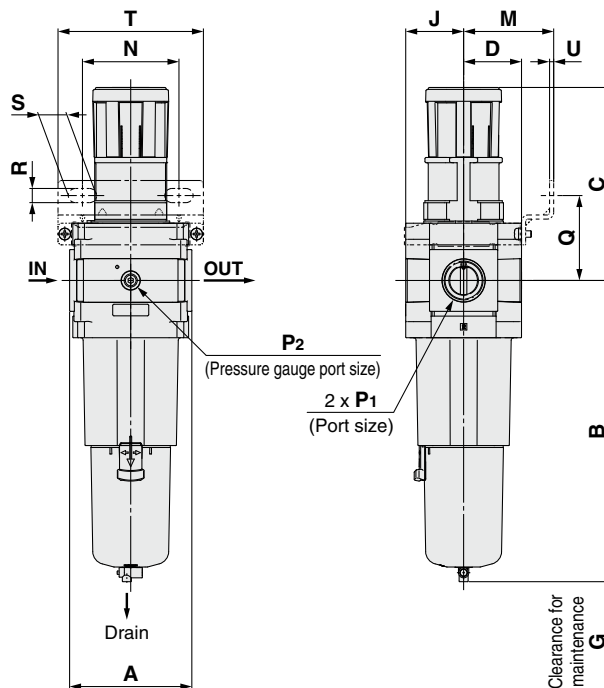


Plate thickness
 AW20-D to AW30-D : Max. 3.5
 AW40-D to AW40-06-D: Max. 5

AW30-D to AW40-06-D

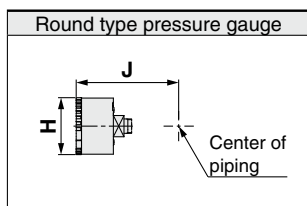


AW60-D



Filter Regulator **AW20-D to AW60-D Series**

Filter Regulator with Backflow Function **AW20K-D to AW60K-D Series**



Applicable model	Optional specifications		Semi-standard					
	With auto drain	PC/PA bowl		Metal bowl		Metal bowl with level gauge		
		Drain cock with barb fitting	With drain guide	With drain cock	With drain guide	With drain cock	With drain guide	
AW20-D								
AW30-D to AW60-D	N.O.: Black N.C.: Gray Thread type/Rc, G: ø10 One-touch fitting Thread type/NPT: ø3/8" One-touch fitting							

Model	Standard specifications												Optional specifications					
	P ₁	P ₂	A	B	C*1	D	E	F	G	J	K	H	J	H	J	H	J	
AW20-D	1/8, 1/4	1/8	40	87.6	71.8	21	—	M28 x 1	40	21	5	ø37.5	57.5	ø37.5	58.5	ø37.5	58.5	
AW30-D	1/4, 3/8	1/8	53	115.3	86.5	26.5	30	M38 x 1.5	55	26.5	3.5	ø37.5	63	ø37.5	64	ø37.5	64	
AW40-D	1/4, 3/8, 1/2	1/8	70	147.1	91.5	35.5	38.4	M42 x 1.5	80	35.5	—	ø42.5	73	ø42.5	73	ø42.5	73	
AW40-06-D	3/4	1/8	75	149.1	93	35.5	38.4	M42 x 1.5	80	35.5	—	ø42.5	73	ø42.5	73	ø42.5	73	
AW60-D	3/4, 1	1/8	95	234.1	155	45	—	—	30	45	—	ø42.5	82.5	ø42.5	82.5	ø42.5	82.5	

Model	Optional specifications												Semi-standard						
	Bracket mount						Panel mount						With auto drain	PC/PA bowl		Metal bowl		Metal bowl with level gauge	
	M	N	Q	R	S	T	U	V	W	Y	Z	B		B	B	B	B	B	
AW20-D	30	34	43.9	5.4	15.4	55	2.3	29.7	28.5	14	6	104.9	—	91.4	87.4	93.9	—	—	
AW30-D	41	40	46	6.5	8	53	2.3	31.3	38.5	19	7	157	123.9	122.2	117.8	122.3	137.8	142.3	
AW40-D	50	54	54	8.5	10.5	70	2.3	35.5	42.5	21	7	186.9	155.6	153.9	149.5	154	169.5	174	
AW40-06-D	50	54	55.5	8.5	10.5	70	2.3	37	42.5	21	7	188.9	157.6	155.9	151.5	156	171.5	176	
AW60-D	70	75	66	11	22	113	3.2	—	—	—	—	273.9	242.6	240.9	236.5	241	256.5	261	

*1 The dimension of C is the length when the filter regulator knob is unlocked.

AC

AF + AR + AL

AW + AL

AF + AR

AF + AFM + AR

AF + AFM

Attachments

AF

AFM / AFD

AR

AL

AW

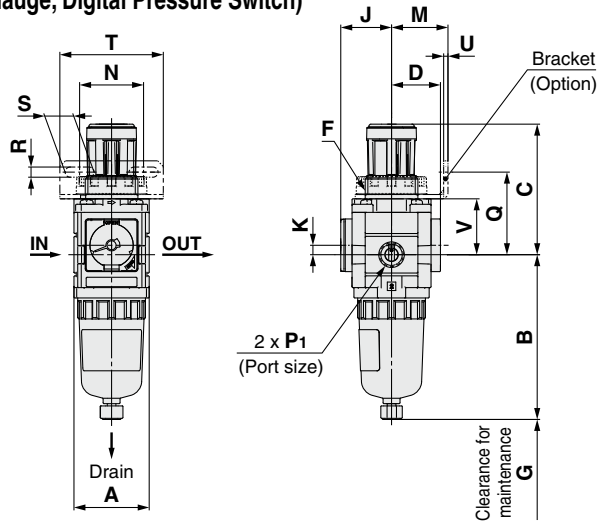
AW20-D to AW60-D Series

AW20K-D to AW60K-D Series

Dimensions

Standard (Square Embedded Type Pressure Gauge, Digital Pressure Switch)

AW20-□□□□^{E1}_{E2}^{E3}_{E4}-D



Panel cutout dimensions

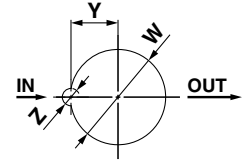
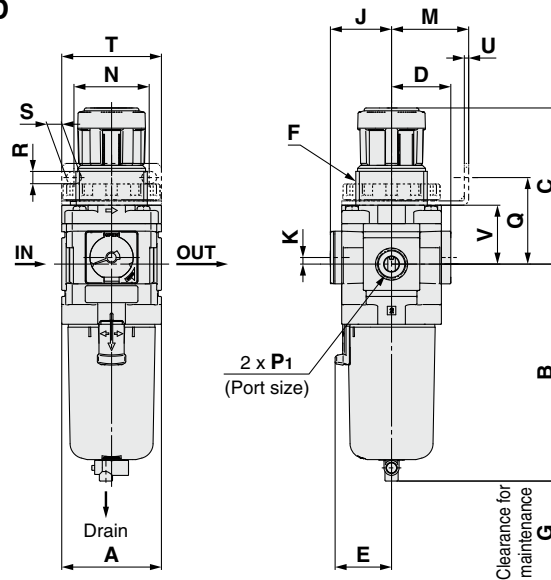
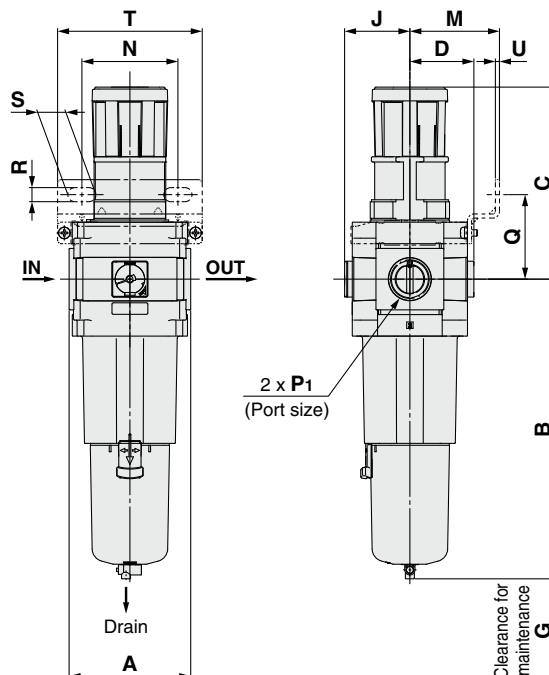


Plate thickness
 AW20-D to AW30-D : Max. 3.5
 AW40-D to AW40-06-D: Max. 5

AW30-□□□□^{E1}_{E2}^{E3}_{E4}-D to AW40-□□□□^{E1}_{E2}^{E3}_{E4}-D

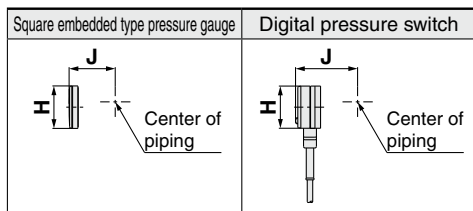


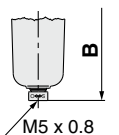
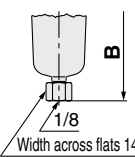
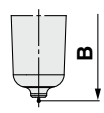
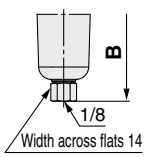
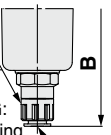
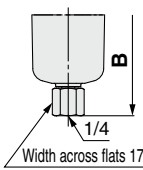
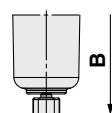
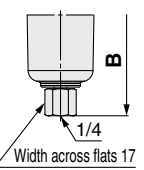
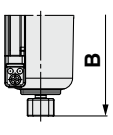
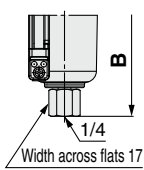
AW60-□□□□^{E1}_{E2}^{E3}_{E4}-D



Filter Regulator **AW20-D to AW60-D Series**

Filter Regulator with Backflow Function **AW20K-D to AW60K-D Series**



Applicable model	Optional specifications		Semi-standard					
	With auto drain		PC/PA bowl		Metal bowl		Metal bowl with level gauge	
			Drain cock with barb fitting	With drain guide	With drain cock	With drain guide	With drain cock	With drain guide
AW20-D								
AW30-D to AW60-D	N.O.: Black N.C.: Gray Thread type/Rc, G: ø10 One-touch fitting Thread type/NPT: ø3/8" One-touch fitting							

Model	Standard specifications										Optional specifications				
	P ₁	A	B	C ^{*1}	D	E	F	G	K	H	J	Square embedded type pressure gauge		Digital pressure switch	
												H	J	H	J
AW20-D	1/8, 1/4	40	87.6	71.8	26	—	M28 x 1	40	5	□28	27	□27.8	37.5		
AW30-D	1/4, 3/8	53	115.3	86.5	31.5	30	M38 x 1.5	55	3.5	□28	32.5	□27.8	43		
AW40-D	1/4, 3/8, 1/2	70	147.1	91.5	40.5	38.4	M42 x 1.5	80	—	□28	41.5	□27.8	52		
AW40-06-D	3/4	75	149.1	93	40.5	38.4	M42 x 1.5	80	—	□28	41.5	□27.8	52		
AW60-D	3/4, 1	95	234.1	155	50	—	—	30	—	□28	51	□27.8	61.5		

Model	Optional specifications												Semi-standard						
	Bracket mount						Panel mount						With auto drain	PC/PA bowl		Metal bowl		Metal bowl with level gauge	
	M	N	Q	R	S	T	U	V	W	Y	Z	B		With barb fitting	With drain guide	With drain cock	With drain guide	With drain cock	With drain guide
													B	B	B	B	B	B	
AW20-D	30	34	43.9	5.4	15.4	55	2.3	29.7	28.5	14	6	104.9	—	91.4	87.4	93.9	—	—	
AW30-D	41	40	46	6.5	8	53	2.3	31.3	38.5	19	7	157	123.9	122.2	117.8	122.3	137.8	142.3	
AW40-D	50	54	54	8.5	10.5	70	2.3	35.5	42.5	21	7	186.9	155.6	153.9	149.5	154	169.5	174	
AW40-06-D	50	54	55.5	8.5	10.5	70	2.3	37	42.5	21	7	188.9	157.6	155.9	151.5	156	171.5	176	
AW60-D	70	75	66	11	22	113	3.2	—	—	—	—	273.9	242.6	240.9	236.5	241	256.5	261	

*1 The dimension of C is the length when the filter regulator knob is unlocked.

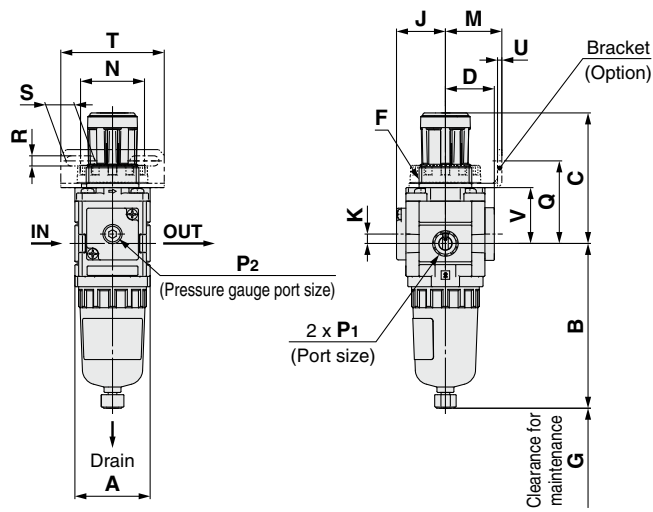
AC
AF + AR + AL
AF + AL
AW + AL
AF + AR
AF + AR
AF + AFM + AR
AF + AFM
Attachments
AF
AFM / AFD
AR
AL
AW

AW20-D to AW60-D Series

AW20K-D to AW60K-D Series

Dimensions

With Backflow Function (Round Type Pressure Gauge, Square Embedded Type Pressure Gauge, Digital Pressure Switch)
AW20K-D



Panel cutout dimensions

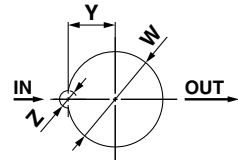
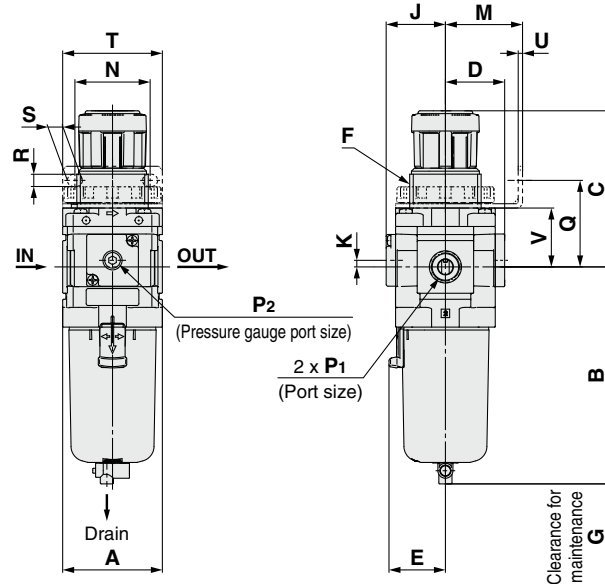
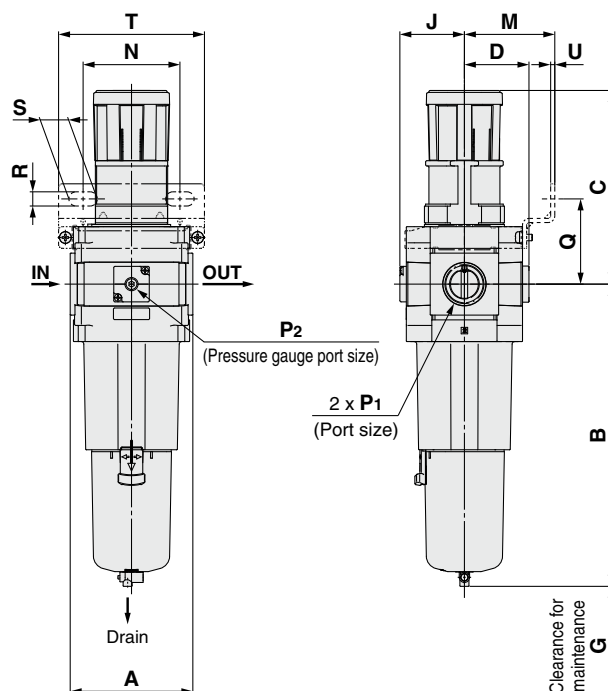


Plate thickness
AW20K-D to AW30K-D : Max. 3.5
AW40K-D to AW40K-06-D: Max. 5

AW30K-D to AW40K-06-D

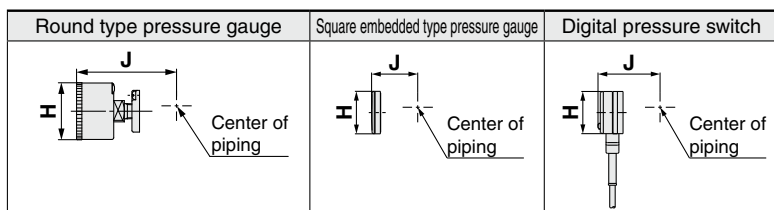


AW60K-D



Filter Regulator **AW20-D to AW60-D Series**

Filter Regulator with Backflow Function **AW20K-D to AW60K-D Series**



Applicable model	Optional specifications		Semi-standard				
	With auto drain	PC/PA bowl		Metal bowl		Metal bowl with level gauge	
		Drain cock with barb fitting	With drain guide	With drain cock	With drain guide	With drain cock	With drain guide
AW20K-D							
AW30K-D to AW60K-D							

Model	Standard specifications											Optional specifications								
	P ₁	P ₂	A	B	C*1	D	E	F	G	J	K	Square embedded type pressure gauge		Digital pressure switch		Round type pressure gauge		Round type pressure gauge (Semi-standard: Z)		
												H	J	H	J	H	J	H	J	
AW20K-D	1/8, 1/4	1/8	40	87.6	71.8	26	—	M28 x 1	40	26	5	□28	27	□27.8	37.5	62.5	ø37.5	63.5	ø37.5	63.5
AW30K-D	1/4, 3/8	1/8	53	115.3	86.5	31.5	30	M38 x 1.5	55	31.5	3.5	□28	32.5	□27.8	43	68	ø37.5	68	ø37.5	69
AW40K-D	1/4, 3/8, 1/2	1/8	70	147.1	91.5	40.5	38.4	M42 x 1.5	80	40.5	—	□28	41.5	□27.8	52	78	ø42.5	78	ø42.5	78
AW40K-06-D	3/4	1/8	75	149.1	93	40.5	38.4	M42 x 1.5	80	40.5	—	□28	41.5	□27.8	52	78	ø42.5	78	ø42.5	78
AW60K-D	3/4, 1	1/8	95	234.1	155	50	—	—	30	50	—	□28	51	□27.8	61.5	87.5	ø42.5	87.5	ø42.5	87.5

Model	Optional specifications													Semi-standard						
	Round type pressure gauge (with color zone)		Bracket mount							Panel mount				With auto drain	PC/PA bowl		Metal bowl		Metal bowl with level gauge	
	H	J	M	N	Q	R	S	T	U	V	W	Y	Z		B	B	B	B	B	B
AW20K-D	ø37.5	63.5	30	34	43.9	5.4	15.4	55	2.3	29.7	28.5	14	6	104.9	—	91.4	87.4	93.9	—	—
AW30K-D	ø37.5	69	41	40	46	6.5	8	53	2.3	31.3	38.5	19	7	157	123.9	122.2	117.8	122.3	137.8	142.3
AW40K-D	ø42.5	78	50	54	54	8.5	10.5	70	2.3	35.5	42.5	21	7	186.9	155.6	153.9	149.5	154	169.5	174
AW40K-06-D	ø42.5	78	50	54	55.5	8.5	10.5	70	2.3	37	42.5	21	7	188.9	157.6	155.9	151.5	156	171.5	176
AW60K-D	ø42.5	87.5	70	75	66	11	22	113	3.2	—	—	—	—	273.9	242.6	240.9	236.5	241	256.5	261

*1 The dimension of C is the length when the filter regulator knob is unlocked.

AC
AF + AR + AL
AW + AL
AF + AR
AF + AFM + AR
AW + AFM
Attachments
AF
AFM / AFD
AR
AL
AW

AC

AF + AR + AL

AW + AL

AF + AR

AF + AFM + AR

AW + AFM

Attachments

AF

AFM / AFD

AR

AL

AW

0.4 MPa Setting **Long Bowl**

	Symbol	Description	①				①				
			Body size				Body size				
			20	30	40	60	20	30	40	60	
6 Semi-standard	d	Set pressure*9	Nil	0.05 to 0.85 MPa setting							
			1	0.02 to 0.2 MPa setting							
	e	Bowl*10		Nil	Polycarbonate bowl						
				2	Metal bowl						
				6	Nylon bowl						
				8	Metal bowl with level gauge						
				C	With bowl guard						
				6C	With bowl guard (Nylon bowl)						
	f	Drain port*13		Nil	With drain cock						
				J*14	Drain guide 1/8						
				W*15	Drain cock with barb fitting						
	g	Exhaust mechanism		Nil	Relieving type						
				N	Non-relieving type						
	h	Flow direction		Nil	Flow direction: Left to right						
				R	Flow direction: Right to left						
i	Unit		Nil	Unit on product label: MPa, °C, Pressure gauge in SI units: MPa							
			Z*16	Unit on product label: psi, °F, Pressure gauge: MPa/psi dual scale							
			ZA*17	Digital pressure switch: With unit selection function							

*9 Pressure can be set higher than the specification pressure in some cases, but use pressure within the specification range.

*10 Refer to chemical data on page 109 for chemical resistance of the bowl.

*11 A bowl guard is provided as standard equipment (polycarbonate).

*12 A bowl guard is provided as standard equipment (nylon).

*13 The combination of float type auto drain C and D is not available.

*14 Without a valve function. The mounting screws are the same as the thread of ③.

*15 The combination of metal bowl 2 and 8 is not available.

*16 For the pipe thread type: NPT

This product is for overseas use only according to the New Measurement Act. (The SI unit type is provided for use in Japan.) Cannot be used with M: Round type pressure gauge (with color zone). Available by request for special. The digital pressure switch will be equipped with the unit selection function, setting to psi initially.

*17 For options: E1, E2, E3, E4

This product is for overseas use only according to the New Measurement Act. (The SI unit type is provided for use in Japan.)

*18 ○: For the pipe thread type: NPT only

*19 △: Select with options: E1, E2, E3, E4.



AW(K)-D Series Specific Product Precautions

Be sure to read this before handling the products. Refer to the back cover for safety instructions. For F.R.L. units precautions, refer to the “Handling Precautions for SMC Products” and the “Operation Manual” on the SMC website: <https://www.smcworld.com>

Design / Selection

Warning

- Residual pressure disposal (outlet pressure removal) is not possible for the AW20-D to AW60-D even though the inlet pressure is exhausted. When the residual pressure disposal is performed, use the filter regulator with backflow function (AW20K-D to AW60K-D).
- The bowl material of the standard filter regulator is polycarbonate. Do not use in an environment where they are exposed to or come in contact with organic solvents, chemicals, cutting oil, synthetic oil, alkali, and thread lock solutions.

Chemical resistance of polycarbonate or nylon bowl

Type	Chemical name	Application examples	Material	
			Polycarbonate	Nylon
Acid	Hydrochloric acid Sulfuric acid Phosphoric acid Chromic acid	Acid washing liquid for metals	△	×
Alkaline	Sodium hydroxide (Caustic soda) Potash Calcium hydroxide (Slack lime) Ammonia water Sodium carbonate	Degreasing of metals Industrial salts Water-soluble cutting oil	×	○
Inorganic salts	Sodium sulfide Potassium nitrate Sodium sulfate	—	×	△
Chlorine solvents	Carbon tetrachloride Chloroform Ethylene chloride Methylene chloride	Cleansing liquid for metals Printing ink Dilution	×	△
Aromatic series	Benzene Toluene Paint thinner	Coatings Dry cleaning	×	△
Ketone	Acetone Methyl ethyl ketone Cyclohexane	Photographic film Dry cleaning Textile industries	×	×
Alcohol	Ethyl alcohol IPA Methyl alcohol	Antifreeze Adhesives	△	×
Oil	Gasoline Kerosene	—	×	○
Ester	Phthalic acid dimethyl Phthalic acid diethyl Acetic acid	Synthetic oil Anti-rust additives	×	○
Ether	Methyl ether Ethyl ether	Brake oil additives	×	○
Amino	Methyl amino	Cutting oil Brake oil additives Rubber accelerator	×	×
Others	Thread-lock fluid Seawater Leak tester	—	×	△

○: Essentially safe △: Some effects may occur. ×: Effects will occur.

When the above factors are present, or there is some doubt, use a metal bowl for safety.

Caution

- When operating at an inlet pressure lower than the inlet pressure used in the flow rate characteristics graph, the pressure drop on the outlet side may be greater. Therefore, be sure to conduct testing using the actual equipment.
For pressure control equipment selection, refer to page 123 in the “Product Selection Guide.”

Maintenance

Warning

- Replace the element every 2 years or when the pressure drop becomes 0.1 MPa, whichever comes first, to prevent damage to the element.

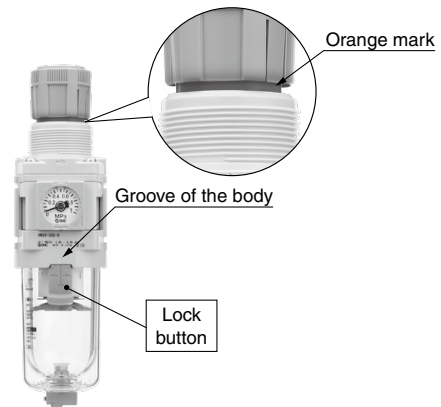
Mounting / Adjustment

Warning

- Set the filter regulator while verifying the displayed values of the inlet and outlet pressure gauges. Turning the regulator knob excessively can cause damage to the internal parts.
- Do not use tools on the pressure regulator knob as this may cause damage. It must be operated manually.

Caution

- Be sure to unlock the knob before adjusting the pressure and lock it after setting the pressure.
Failure to follow this procedure can cause damage to the knob and the outlet pressure may fluctuate.
 - Pull the pressure regulator knob to unlock. (You can visually verify this with the “orange mark” that appears in the gap.)
 - Push the pressure regulator knob to lock. When the knob is not easily locked, turn it left and right a little and then push it (when the knob is locked, the “orange mark”, i.e., the gap will disappear).



- When the bowl is installed on the AW30-D to AW60-D, install them so that the lock button lines up to the groove of the front (or the back) of the body to avoid drop or damage of the bowl.

Piping

Warning

- To screw the pressure gauge and piping materials into the pressure gauge port on the product, tighten to the recommended torque (3 to 5 N·m) while securely holding the AW(K)-D in place. Additionally, when mounting a One-touch fitting to the pressure gauge port, refer to the Fittings and Tubing Precautions.

International Standard ISO 8573-1:2010

Compressed Air Purity Classes

Compressed air is used in a variety of manufacturing processes. In this age, compressed air with a high degree of purity is becoming increasingly necessary.

For this reason, it is necessary to remove contaminants from systems which supply compressed air and to secure the quality. The standard which stipulates the class according to the quantities of contaminants in compressed air is ISO 8573-1.

[Outline]

Stipulates the purity class of contaminants (particles, water, oil) mixed in with the compressed air

[Scope]

Can be used in various places in compressed air systems

[Purity Classes]

Class	Particles			Humidity and liquid water		Oil	
	Maximum number of particles per cubic meter as a function of particle size d [μm]			Mass concentration Cp	Pressure dew point	Concentration of liquid water Cw	Concentration of total oil
	0.1 < d ≤ 0.5	0.5 < d ≤ 1.0	1.0 < d ≤ 5.0	[mg/m ³]	[°C]	[g/m ³]	[mg/m ³]
0	As specified by the equipment user or supplier and more stringent than class 1						
1	≤ 20000	≤ 400	≤ 10	—	≤ -70	—	≤ 0.01
2	≤ 400000	≤ 6000	≤ 100	—	≤ -40	—	≤ 0.1
3	—	≤ 90000	≤ 1000	—	≤ -20	—	≤ 1
4	—	—	≤ 10000	—	≤ +3	—	≤ 5
5	—	—	≤ 100000	—	≤ +7	—	—
6	—	—	—	0 < Cp ≤ 5	≤ +10	—	—
7	—	—	—	5 < Cp ≤ 10	—	Cw ≤ 0.5	—
8	—	—	—	—	—	0.5 < Cw ≤ 5	—
9	—	—	—	—	—	5 < Cw ≤ 10	—
x	—	—	—	Cp > 10	—	Cw > 10	> 5

[Terms and Definitions]

- Purity class: An index assigned for each classification obtained by dividing the concentration of each contaminant into ranges
- Particle: Small discrete mass of solid or liquid matter
- Humidity and liquid water: Water vapor (gas), Water droplets
- Oil: Liquid oil, Oil mist, Vapor

[How to Perform a Test to Check the Performance]

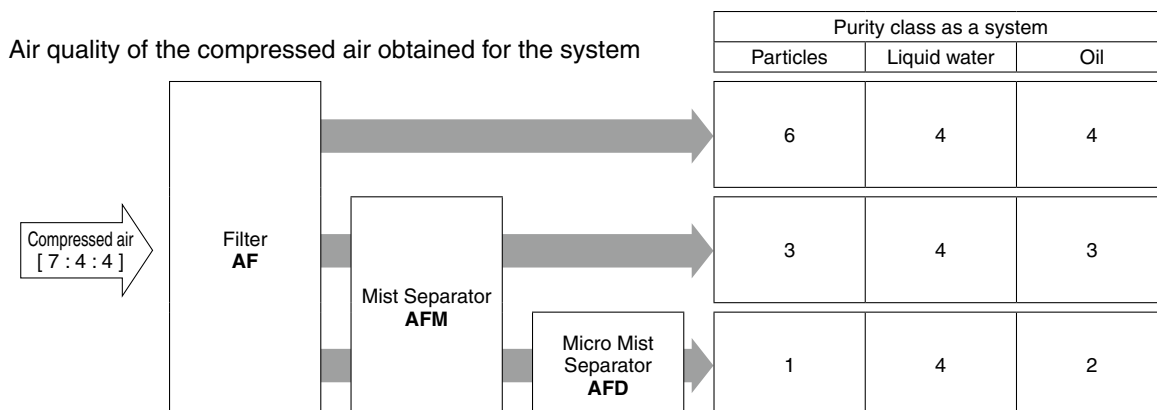
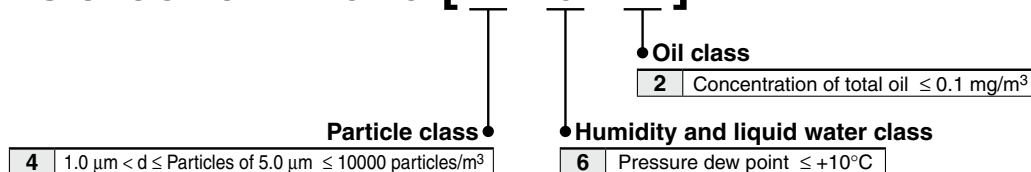
ISO 12500, which sets out the test method to be used in order to check the filter performance for each of the three kinds of contaminants, is indicated below.

- Particle: ISO 12500-3:2009
- Liquid water: ISO 12500-4:2009
- Oil: ISO 12500-1:2007

* Measured using a dedicated evaluation system which has been certified according to ISO 12500-□ and also by a third party (Certified)

[Purity Class Designation Example]


ISO 8573-1:2010 [4 : 6 : 2]





The class indicates the compressed air purity according to ISO 8573-1:2010 (JIS B 8392-1:2012) and indicates the maximum purity class which can be obtained using that system. Note, however, that this value will differ according to the inlet air conditions.

Safety Instructions

These safety instructions are intended to prevent hazardous situations and/or equipment damage. These instructions indicate the level of potential hazard with the labels of “**Caution**,” “**Warning**” or “**Danger**.” They are all important notes for safety and must be followed in addition to International Standards (ISO/IEC)*1), and other safety regulations.

 **Caution:** **Caution** indicates a hazard with a low level of risk which, if not avoided, could result in minor or moderate injury.

 **Warning:** **Warning** indicates a hazard with a medium level of risk which, if not avoided, could result in death or serious injury.

 **Danger :** **Danger** indicates a hazard with a high level of risk which, if not avoided, will result in death or serious injury.

*1) ISO 4414: Pneumatic fluid power – General rules relating to systems.
ISO 4413: Hydraulic fluid power – General rules relating to systems.
IEC 60204-1: Safety of machinery – Electrical equipment of machines.
(Part 1: General requirements)
ISO 10218-1: Manipulating industrial robots – Safety.
etc.

Warning

1. The compatibility of the product is the responsibility of the person who designs the equipment or decides its specifications.

Since the product specified here is used under various operating conditions, its compatibility with specific equipment must be decided by the person who designs the equipment or decides its specifications based on necessary analysis and test results. The expected performance and safety assurance of the equipment will be the responsibility of the person who has determined its compatibility with the product. This person should also continuously review all specifications of the product referring to its latest catalog information, with a view to giving due consideration to any possibility of equipment failure when configuring the equipment.

2. Only personnel with appropriate training should operate machinery and equipment.

The product specified here may become unsafe if handled incorrectly. The assembly, operation and maintenance of machines or equipment including our products must be performed by an operator who is appropriately trained and experienced.

3. Do not service or attempt to remove product and machinery/equipment until safety is confirmed.

1. The inspection and maintenance of machinery/equipment should only be performed after measures to prevent falling or runaway of the driven objects have been confirmed.
2. When the product is to be removed, confirm that the safety measures as mentioned above are implemented and the power from any appropriate source is cut, and read and understand the specific product precautions of all relevant products carefully.
3. Before machinery/equipment is restarted, take measures to prevent unexpected operation and malfunction.

4. Contact SMC beforehand and take special consideration of safety measures if the product is to be used in any of the following conditions.

1. Conditions and environments outside of the given specifications, or use outdoors or in a place exposed to direct sunlight.
2. Installation on equipment in conjunction with atomic energy, railways, air navigation, space, shipping, vehicles, military, medical treatment, combustion and recreation, or equipment in contact with food and beverages, emergency stop circuits, clutch and brake circuits in press applications, safety equipment or other applications unsuitable for the standard specifications described in the product catalog.
3. An application which could have negative effects on people, property, or animals requiring special safety analysis.
4. Use in an interlock circuit, which requires the provision of double interlock for possible failure by using a mechanical protective function, and periodical checks to confirm proper operation.

Caution

1. The product is provided for use in manufacturing industries.

The product herein described is basically provided for peaceful use in manufacturing industries.
If considering using the product in other industries, consult SMC beforehand and exchange specifications or a contract if necessary.
If anything is unclear, contact your nearest sales branch.

Limited warranty and Disclaimer/ Compliance Requirements

The product used is subject to the following “Limited warranty and Disclaimer” and “Compliance Requirements”.

Read and accept them before using the product.

Limited warranty and Disclaimer

1. The warranty period of the product is 1 year in service or 1.5 years after the product is delivered, whichever is first.*2)
Also, the product may have specified durability, running distance or replacement parts. Please consult your nearest sales branch.
2. For any failure or damage reported within the warranty period which is clearly our responsibility, a replacement product or necessary parts will be provided.
This limited warranty applies only to our product independently, and not to any other damage incurred due to the failure of the product.
3. Prior to using SMC products, please read and understand the warranty terms and disclaimers noted in the specified catalog for the particular products.

*2) Vacuum pads are excluded from this 1 year warranty.

A vacuum pad is a consumable part, so it is warranted for a year after it is delivered.
Also, even within the warranty period, the wear of a product due to the use of the vacuum pad or failure due to the deterioration of rubber material are not covered by the limited warranty.

Compliance Requirements

1. The use of SMC products with production equipment for the manufacture of weapons of mass destruction (WMD) or any other weapon is strictly prohibited.
2. The exports of SMC products or technology from one country to another are governed by the relevant security laws and regulations of the countries involved in the transaction. Prior to the shipment of a SMC product to another country, assure that all local rules governing that export are known and followed.

Caution

SMC products are not intended for use as instruments for legal metrology.

Measurement instruments that SMC manufactures or sells have not been qualified by type approval tests relevant to the metrology (measurement) laws of each country. Therefore, SMC products cannot be used for business or certification ordained by the metrology (measurement) laws of each country.

Revision History

Edition B * Attachments have been added.
* Number of pages has been increased from 72 to 104.

YV

Edition C * Sizes 40-06, 50, and 60 have been added to the AC series.
* Sizes 40-06, 50, and 60 have been added to the AF, AR(K), and AL.
* The VHS40-06 and 50 have been added.
* Size 40-06 has been added to the AFM/AFD.
* Sizes 40-06 and 60 have been added to the AW(K).
* Made to order options have been added.
* Number of pages has been increased from 104 to 112.

ZQ

Safety Instructions

Be sure to read the “Handling Precautions for SMC Products” (M-E03-3) and “Operation Manual” before use.